

BAKA Protect 4010 3D FD

with 3D comfortable eccentric
adjustment



Product features

- for rebated timber entrance doors
- concealed receiver in the frame
- for doors with overlap seals
- with comfortable eccentric adjustment
- 3D adjustment (side +/- 3,0 mm, height +/- 3,0 mm, compression +/- 3,0 mm)
- usable for system testing in accordance with DIN EN 1627 ff.
- maintenance-free slide bearings

Technical data

Property	Value
Load capacity	160,0 kg
Knuckle length	140,0 mm
Knuckle Diameter	20,0 mm
Pin diameter	10,0 mm
Cutter diameter	20,0 mm
Collar ring diameter	30,0 mm

Notes

Quality marks



Certification CE



Certification IFT

Classification code

2 7 3 1⁻¹ 1 -⁻² 0 10⁻³

¹ Test evidence for functional doors to be achieved with full door sets and assemblies.

² depending on the finish

³ test cycles in continuous operation with 160 kg

BAKA - BAKA Protect 4010 3D FD

The load capacity mentioned above refers to the use of 2 hinges per door leaf (1 x 2 m), for detailed information please look at the chapter "technical information".

Set consists of 3 hinges (1 hinge = height and side adjustment, 2 hinges = compression and side adjustment).

If necessary, a 4th hinge has to be ordered separately.

Also available with security pin (MSTS).

Installation tools

Drilling jig BAKA Protect 4000 frame

Retrofit kit BAKA Protect 4000 frame

Ball catch location routing jig BAKA Protect 4000 door

Ball catch location routing jig BAKA Protect 4000 frame

Routing jig BAKA Protect 4000 door

Drilling / routing jig BAKA Protect 4000 frame

Template BAKA Protect 4000 FD door 20/30

Template BAKA Protect 4000 FD door 20/27

Template BAKA Protect 4000 FD door 16/27

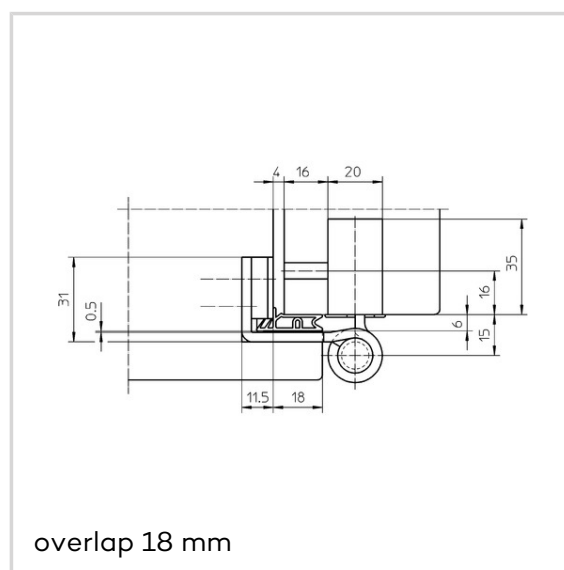
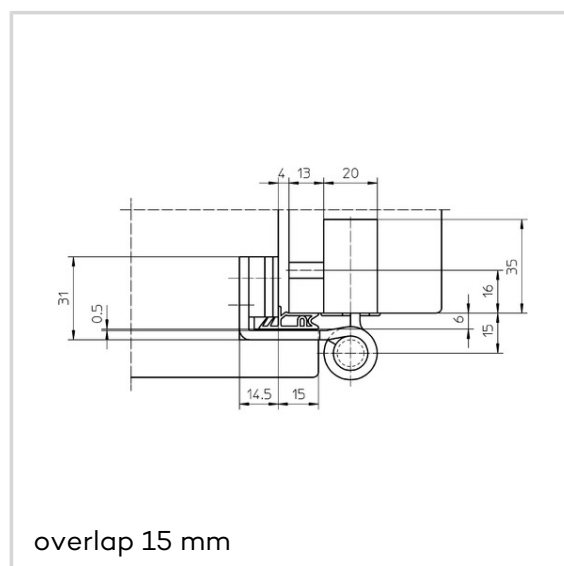
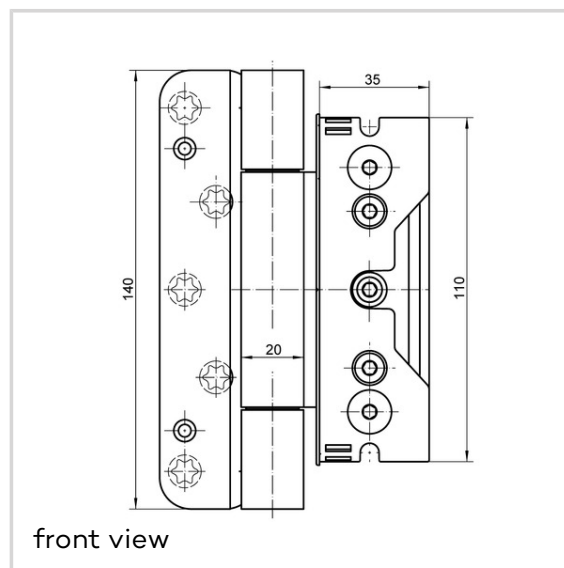
Template BAKA Protect frame 20/30

Template BAKA Protect frame 16/27

Combinations

Decorative sleeve no. 12

Cover cap BAKA Protect 4000



BAKA - BAKA Protect 4010 3D FD

Function range

burglar
resistance

fire resistance



soundproof

Item versions

Finish	polished gilded (SW 032)
VPE	1 set (3 pieces)
DIN	DIN right and left hand
Article number	5 080822 0 03285
EAN	4015471114374
Finish	Satin Stainless Steel (SW 040)
VPE	1 set (3 pieces)
DIN	DIN right and left hand
Article number	5 080822 0 04085
EAN	4015471104184
Finish	RAL 9016 Traffic White (SW 070)
VPE	1 set (3 pieces)
DIN	DIN right and left hand
Article number	5 080822 0 07085
EAN	4015471104160
Finish	H9 Brown (SW 071)
VPE	1 set (3 pieces)
DIN	DIN right and left hand
Article number	5 080822 0 07185
EAN	4015471104177
Finish	RAL 9005 Matte Black (SW 107)
VPE	1 set (3 pieces)
DIN	DIN right and left hand
Article number	5 080822 0 10785
EAN	4015471120498
Finish	Topzinc (SW 110)

BAKA - BAKA Protect 4010 3D FD

VPE	1 set (3 pieces)
DIN	DIN right and left hand
Article number	5 080822 0 11085
EAN	4015471104153
Finish	Satin Nickel Look (F2) (SW 125)
VPE	1 set (3 pieces)
DIN	DIN right and left hand
Article number	5 080822 0 12585
EAN	4015471118174