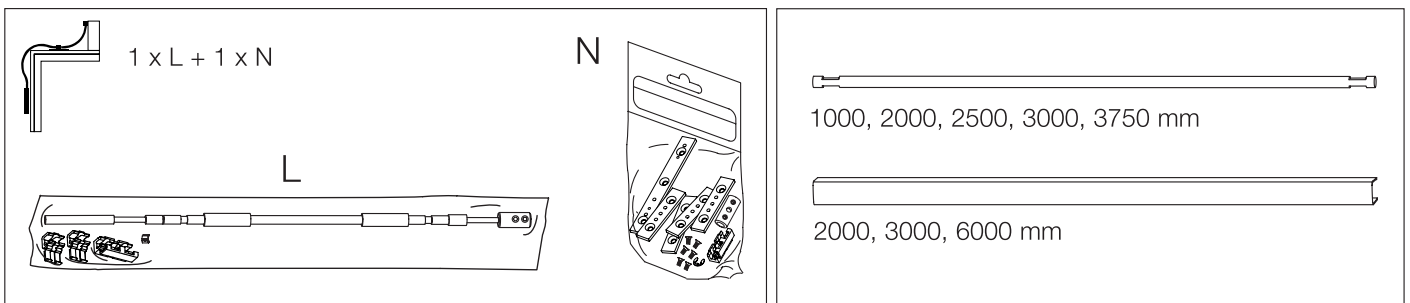
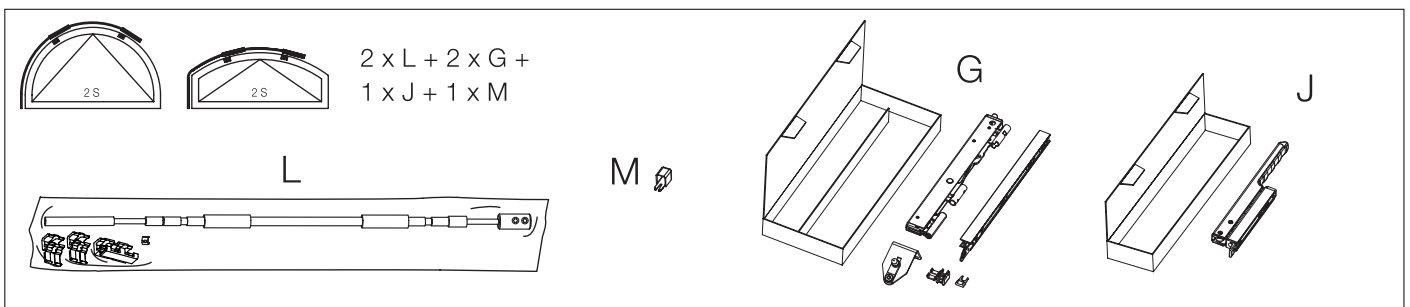
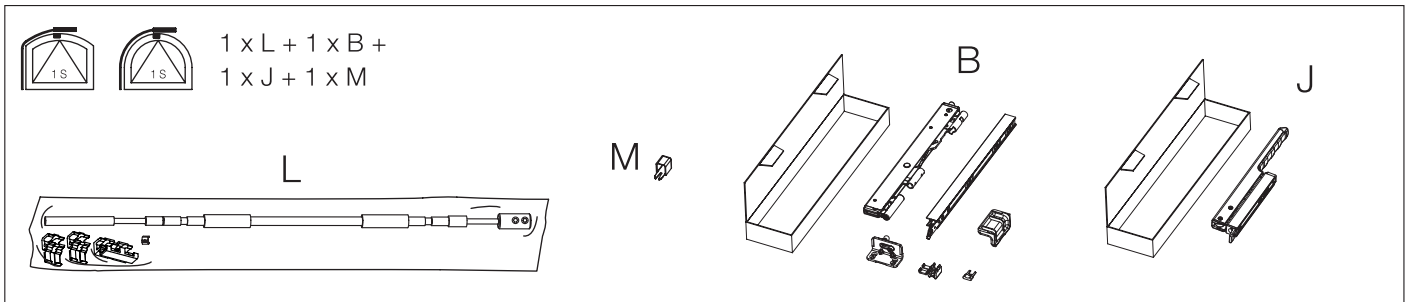
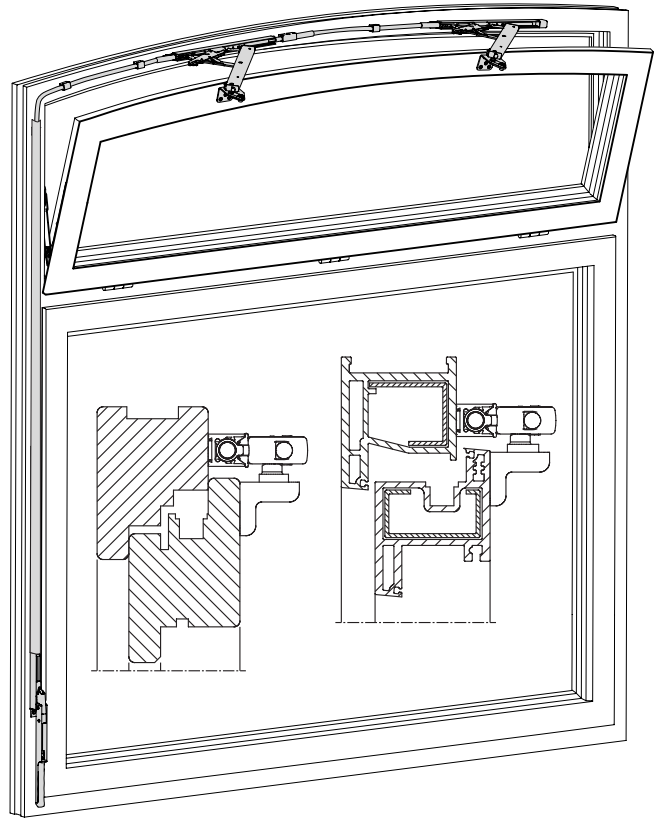
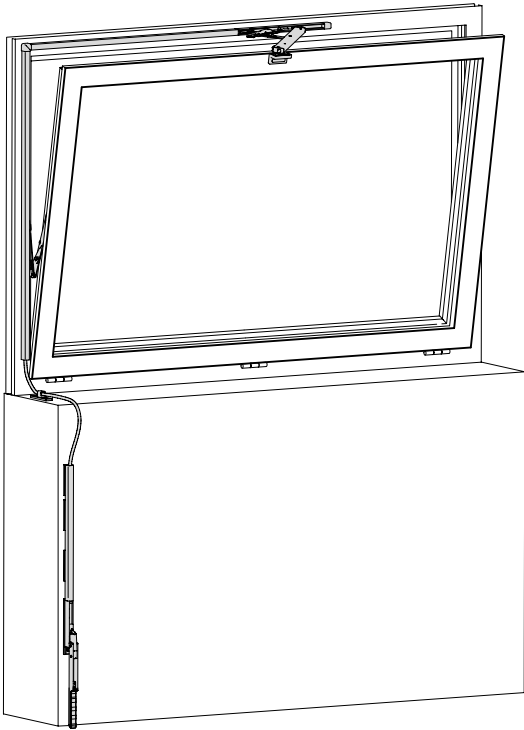
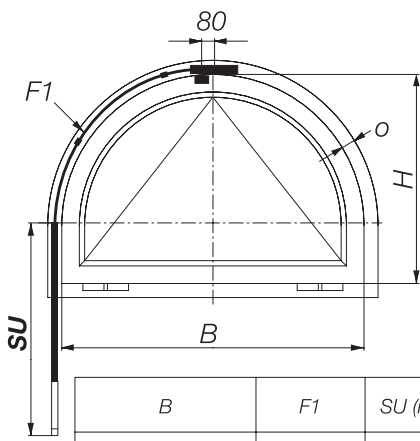
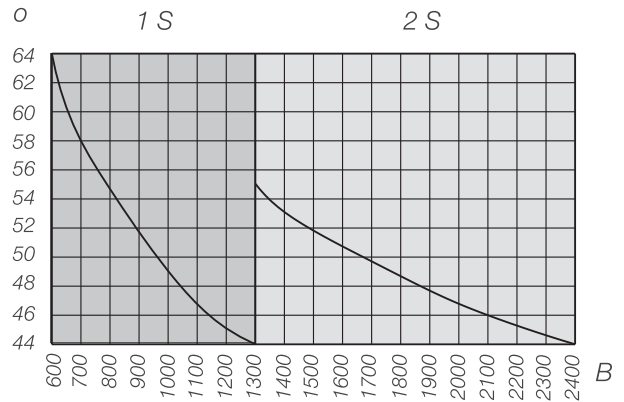
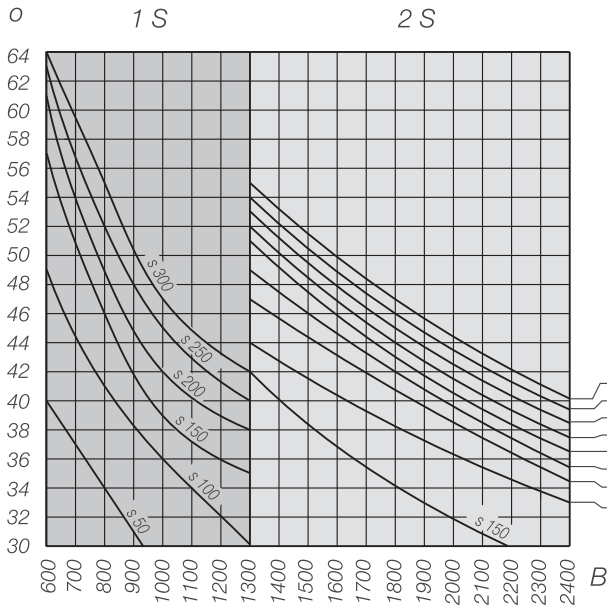
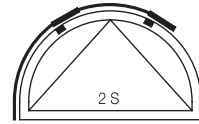
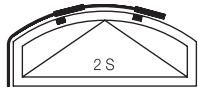
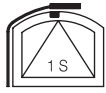
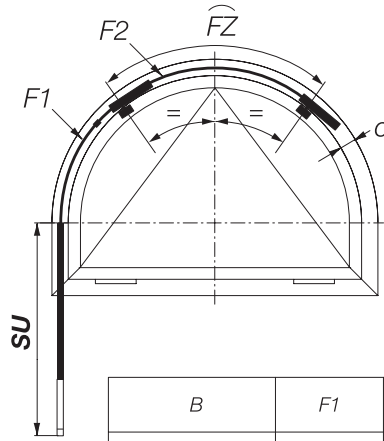


# PRIMAT-FL 190

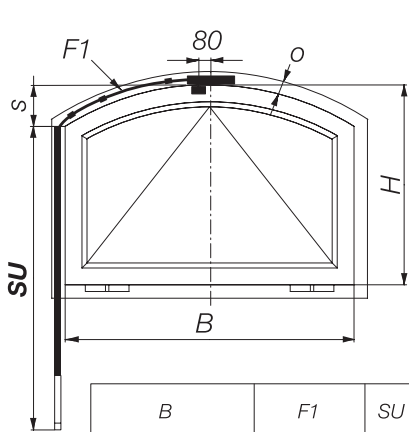




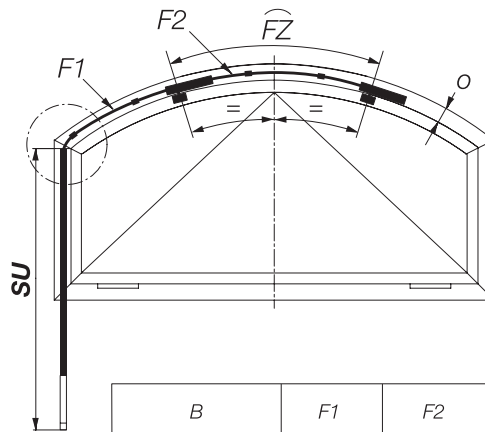
B	F1	SU (min.)
600 ... 850 mm	700 mm	450 mm
851 ... 1200 mm	1000 mm	550 mm
1201 ... 1300 mm	1250 mm	500 mm



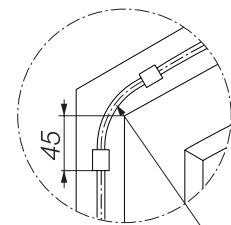
B	F1	F2	FZ	SU (min.)
1300 ... 1400 mm	700 mm	400 mm	740 mm	400 ... 350 mm
1401 ... 1600 mm	1000 mm	400 mm	740 mm	650 ... 550 mm
1601 ... 2000 mm	1000 mm	700 mm	1040 mm	700 ... 500 mm





B	F1	SU (min.)
600 ... 700 mm		500 mm
701 ... 800 mm	700 mm	450 mm
801 ... 1100 mm		300 mm
1101 ... 1200 mm	1000 mm	600 mm
1201 ... 1300 mm		550 mm

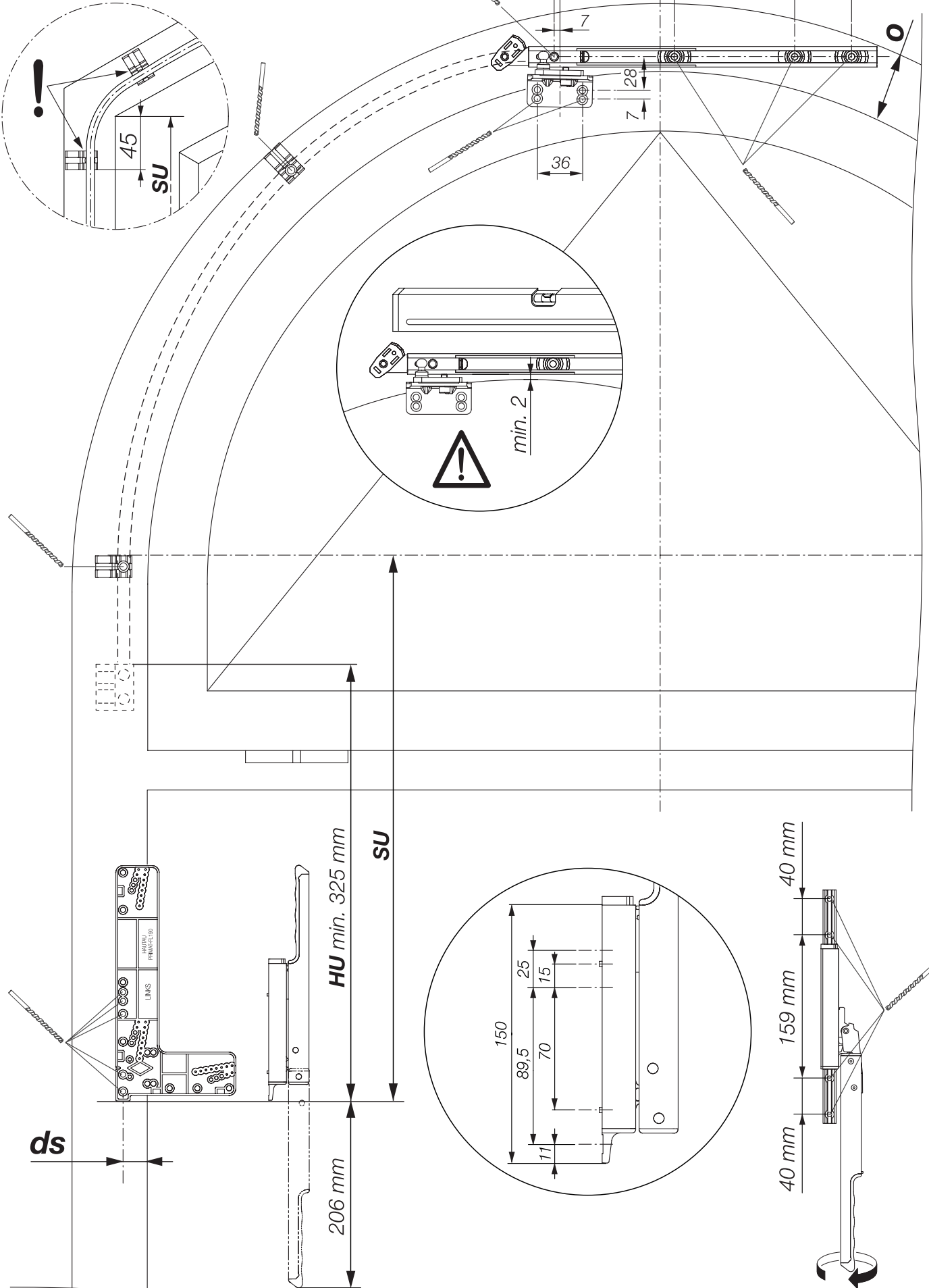
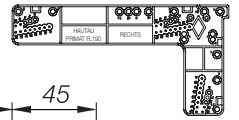


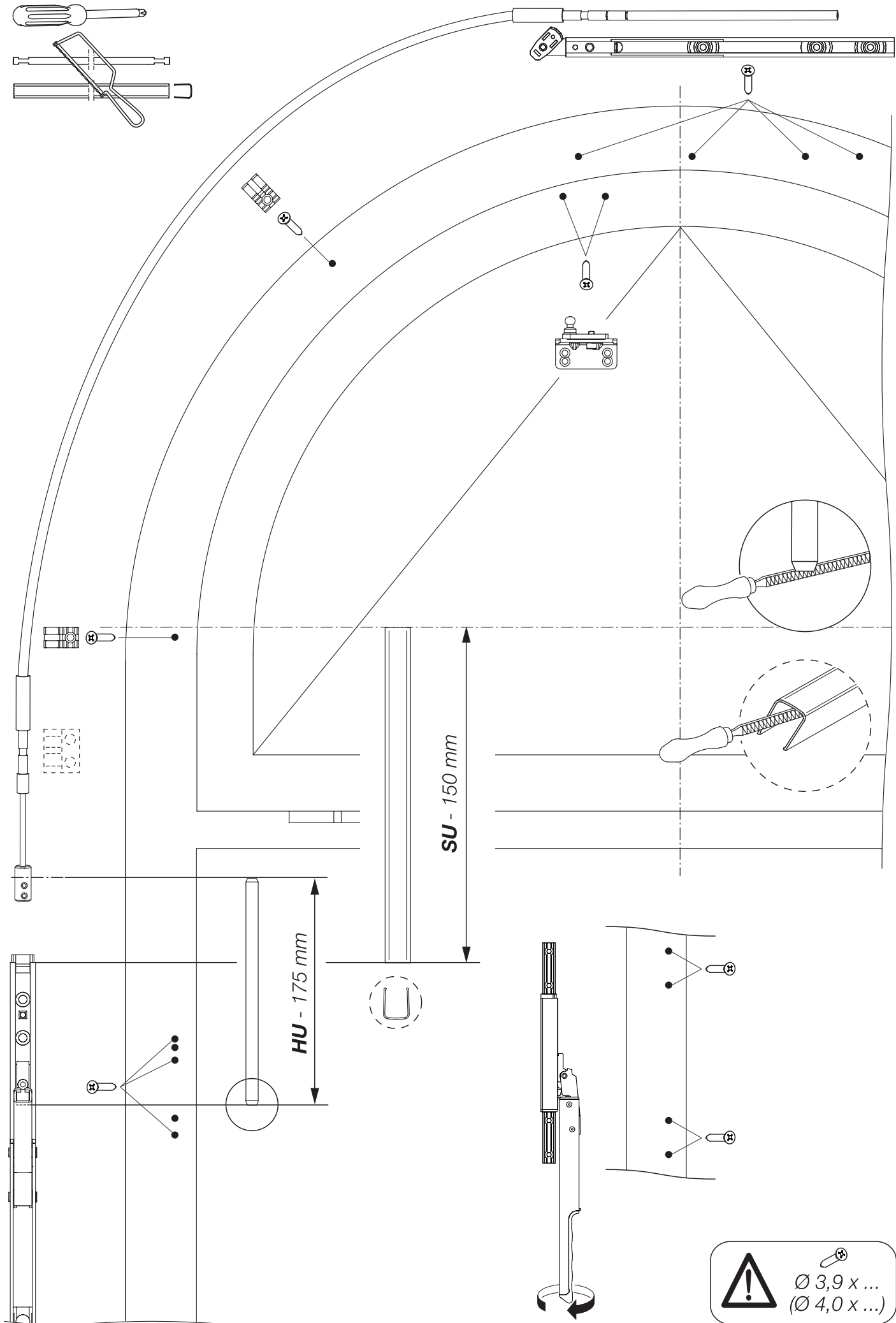
B	F1	F2	FZ	SU (min.)
1300 ... 1500 mm	700 mm	400 mm	740 mm	730 ... 630 mm
1501 ... 1800 mm	700 mm	700 mm	1040 mm	780 ... 630 mm
1801 ... 2100 mm	700 mm	1000 mm	1340 mm	780 ... 630 mm
2101 ... 2400 mm	700 mm	1250 mm	1590 mm	750 ... 600 mm



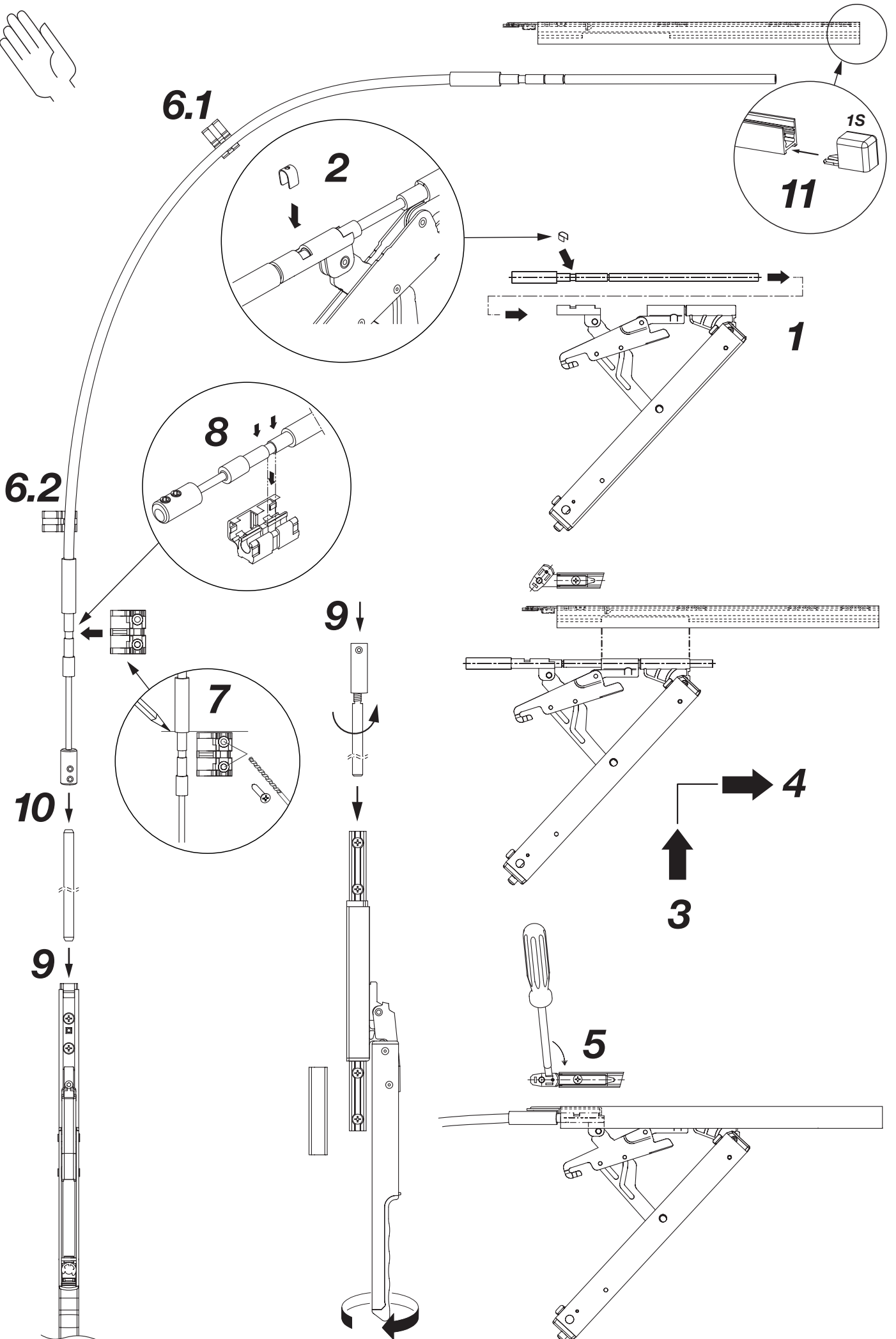
R ≥ 60 mm

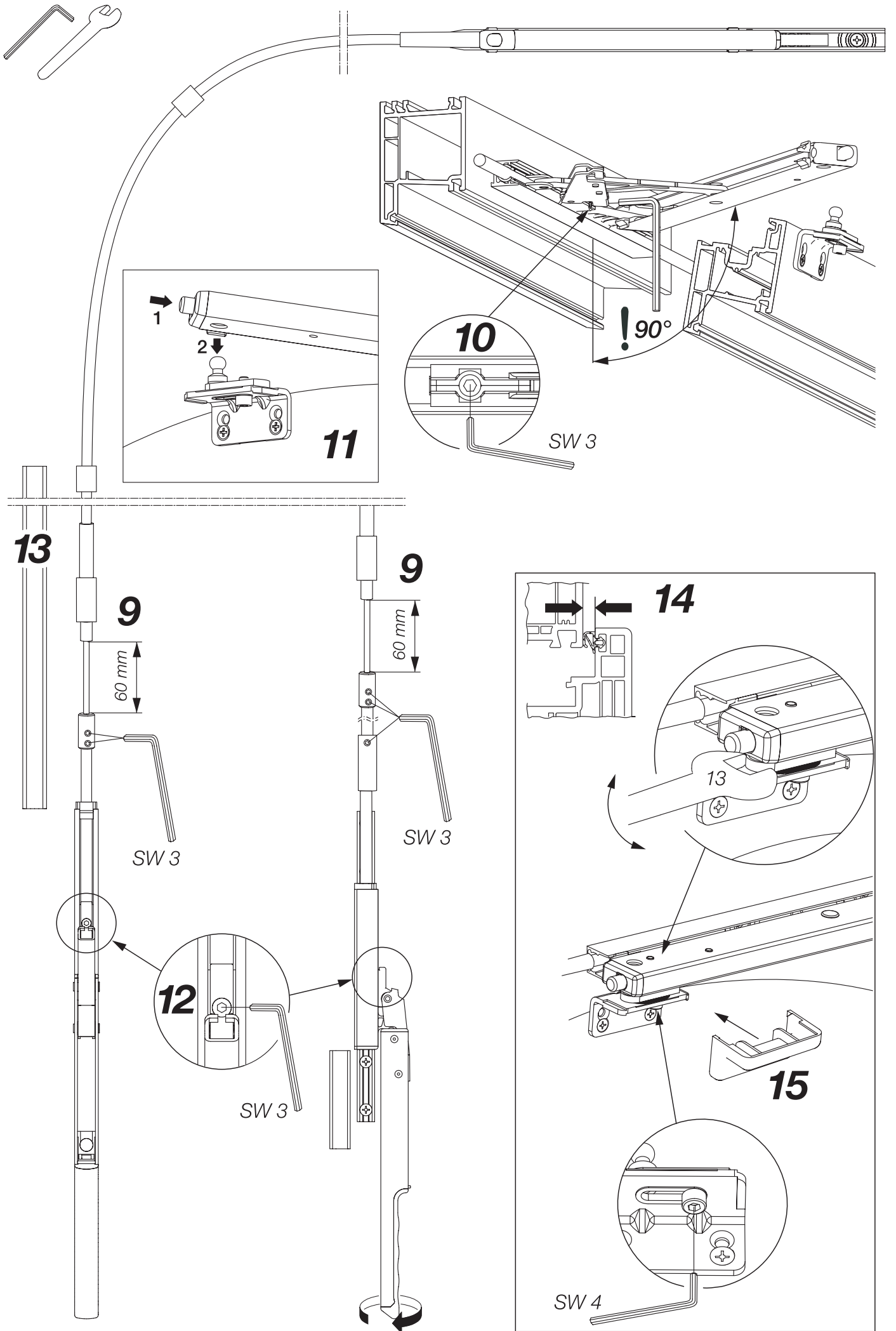


 $\text{Ø } 3,2$ 
 $ds = 14$

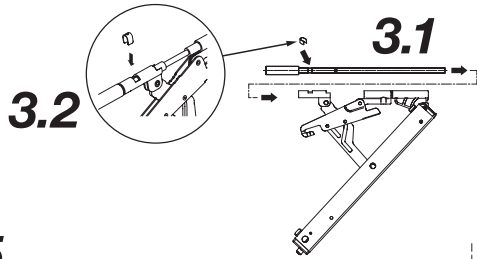
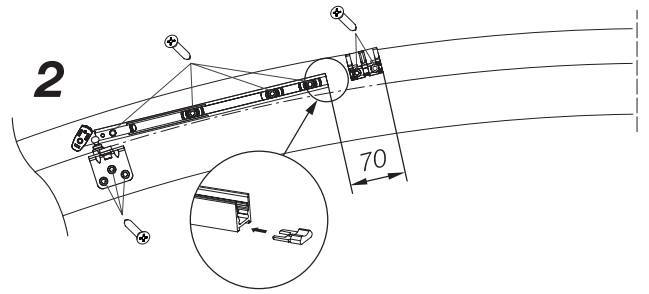
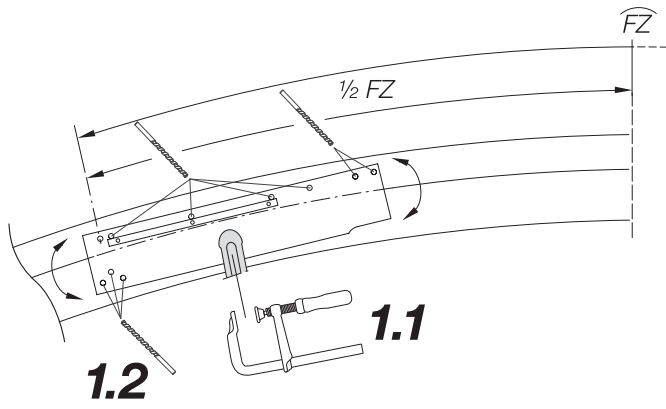
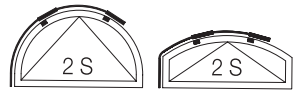






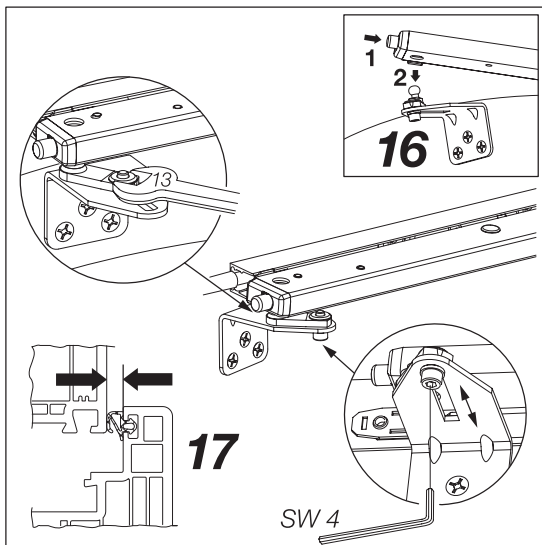
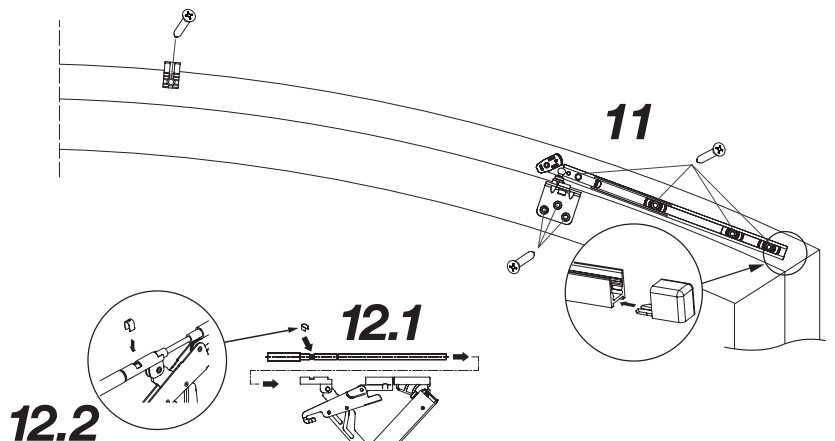
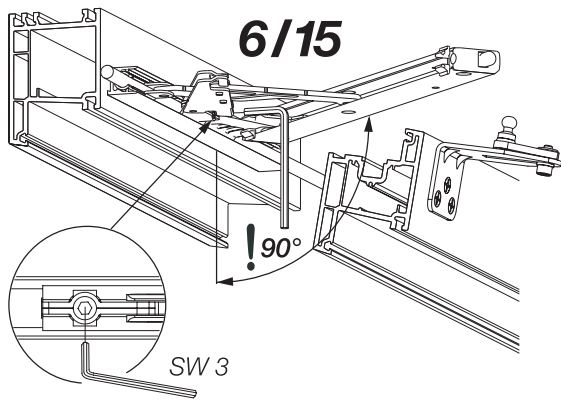
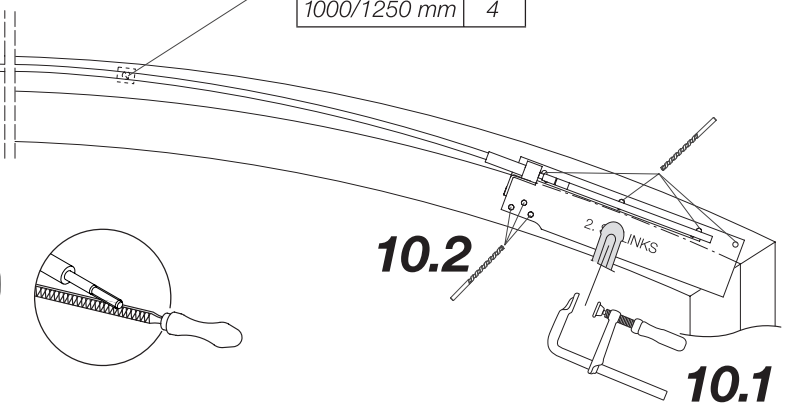
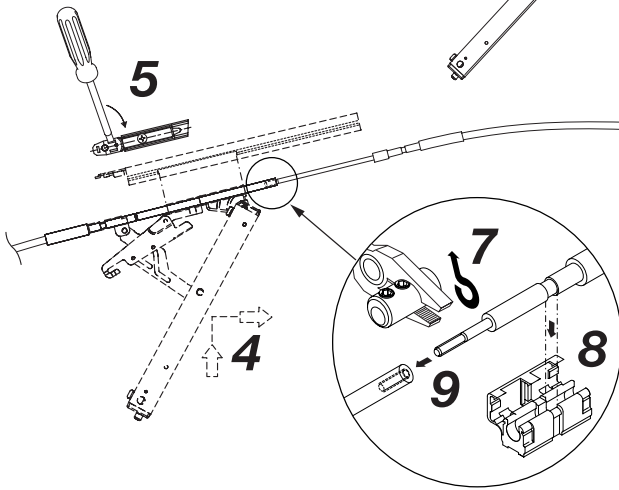
⚠  $\phi$  3,9 x ...  
 ( $\phi$  4,0 x ...)










	
400 mm	2
700 mm	3
1000/1250 mm	4





 Ø 3,2

 Ø 3,9 x ...  
(Ø 4,0 x ...)

