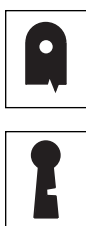


Polaris 2XT key lock - 90 mm centre, 18 mm forend



Description

Magnetic flush-mounted lock. The central latch is in plastic material, with the same colour of the forend.

The key blocks the latch also functioning as bolt but leaving the handle free to go down.

The lock features no protuberances on the forend, thanks to the latch which is entirely retracted into the casing. Steel front (18 mm) with rounded edge, 35,5, 50,5 and 60,5 mm backset. Centre, 90 mm.

Perfect interchangeability with Mediana Evolution, allows replacing it in the existing millings. Key lock version with 4 differs available. Steel lockcase with through screw-holes for handle assembly. Latch can be retracted also with key.

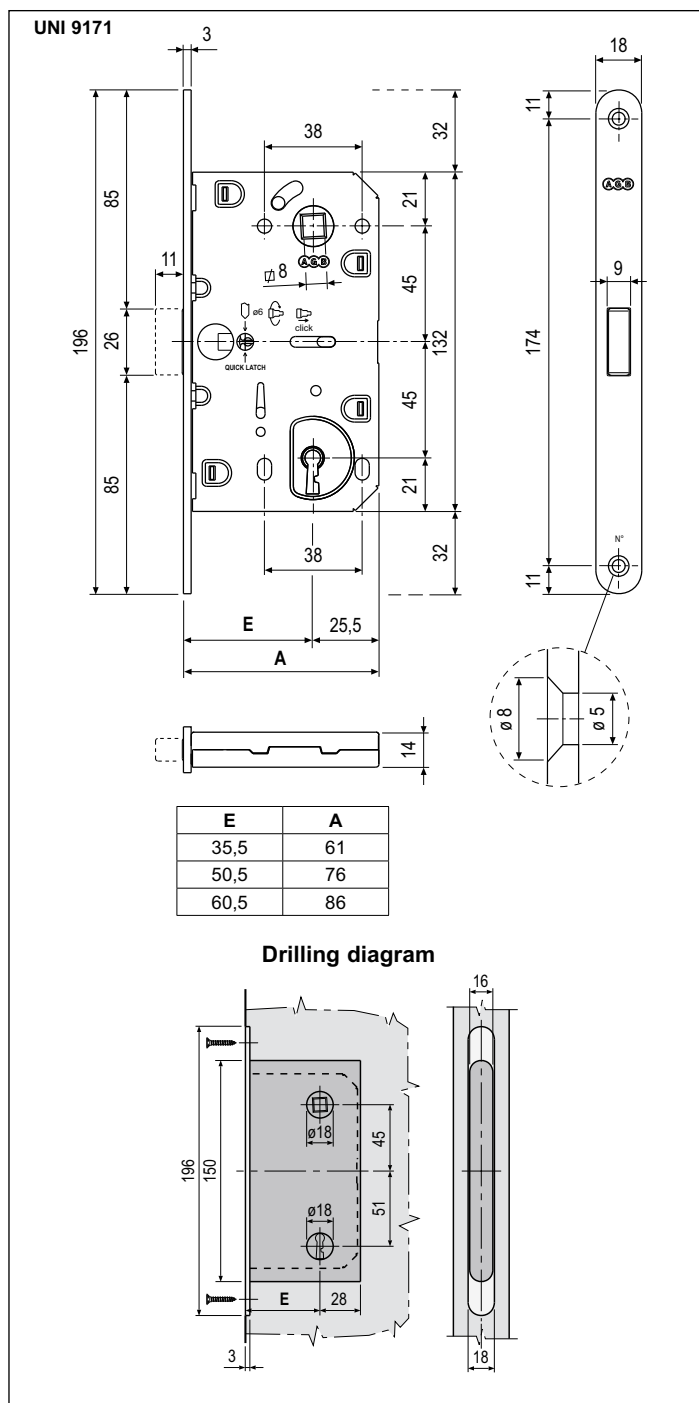
Application

The symmetrical, magnetic latch makes the lock right/left handed.


Mounting

Cut a slot and include a milled component on the panel (dimensions in drawing). Fix the lock with two screws (3,5x20 mm).

Note. Special packaging with only one key differ inside are available on request for industrial applications.



Order Specifications

Material	Article	
STEEL	B06101.35.XX	4
	B06101.50.XX	4
	B06101.60.XX	4

Note. Refer to the price list in force to check the availability of the finishes.