

TE 540 3D A8

for unrebated heavy-duty doors with claddings up to 8 mm on both sides



Product features

- cladding up to 8 mm
- completely concealed hinge system
- for timber, steel or aluminium frames
- for unrebated heavy-duty doors
- sideways closed hinge body for a homogeneous mortise appearance
- with comfortable 3D adjustment (side +/- 3,0 mm, height +/- 3,0 mm, compression +/- 1,0 mm)
- maintenance-free slide bearings

Technical data

Property	Value
Load capacity	100,0 kg
Overall length	200,0 mm
Width (door part)	32,0 mm
Width (frame part)	32,0 mm
Cutter diameter	24,0 mm
Collar ring diameter	30,0 mm
Opening angle	180°

Quality marks



CE certification



IFT certification

ZERTIFIZIERT



UL certification

warringtonfire

Warringtonfire certification

Classification code

4	7	5	1 ¹	1	— ²	1	12
---	---	---	----------------	---	----------------	---	----

¹ Test evidence for functional doors to be achieved with full door sets and assemblies.

² depending on the finish

TECTUS - TE 540 3D A8

Notes

The load capacity mentioned above refers to the use of 2 hinges per door leaf (1 x 2 m), for detailed information please look at the chapter "technical information".

With an opening position of 180° the door may have to be fixed additionally.

Installation tools

- Universal milling frame
- Template 5 250680 5 step 1
- Template 5 250681 5 step 2
- Template 5 250682 5 step 3
- Template 5 250687 5 step 3 (without cladding)

Combinations

- TE 540 3D FZ
- TE 540 3D A8 SZ
- TE 540 3D ST
- Cover plate set TECTUS A8 radius

Function range



burglar resistance



fire resistance



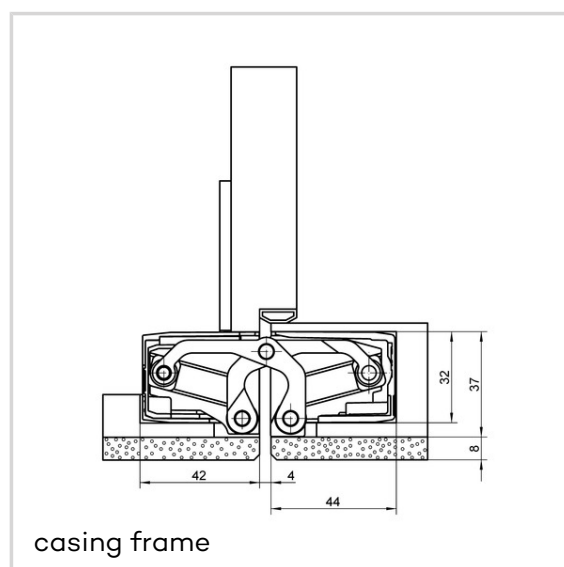
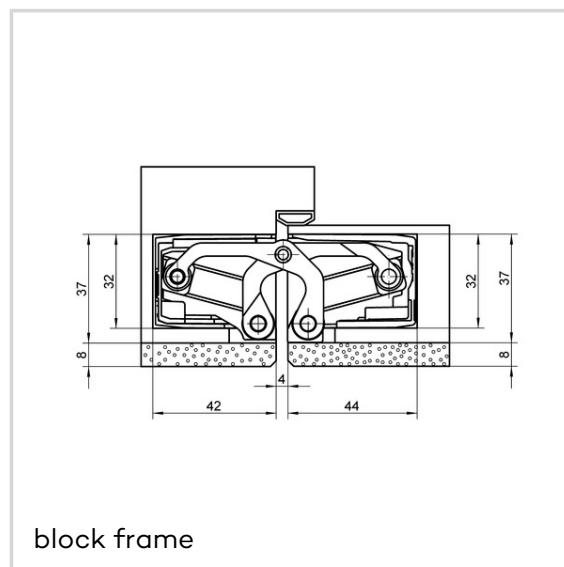
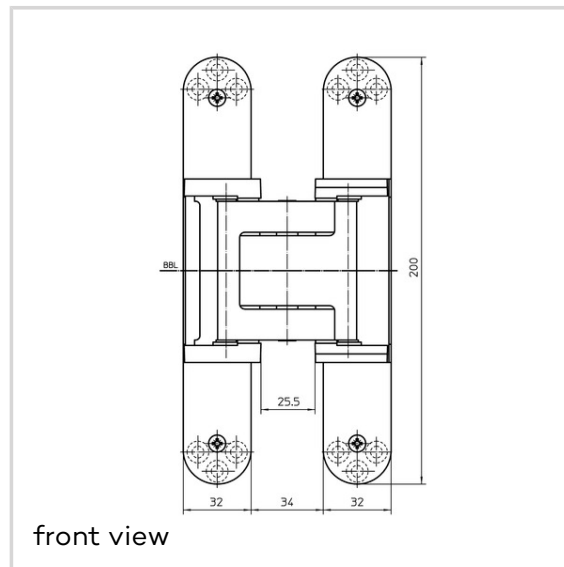
smoke resistance



soundproof

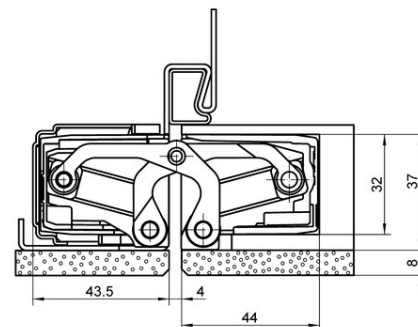
Item versions

Finish	polished brass (SW 030)
VPE	pack of 2

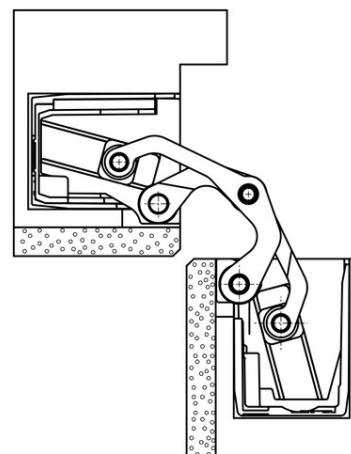


TECTUS - TE 540 3D A8

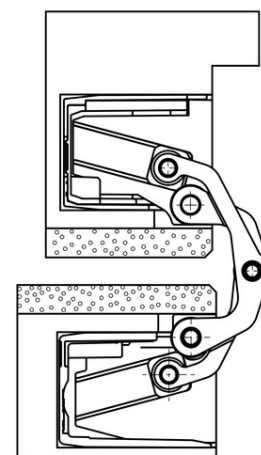
DIN	DIN right and left hand
Article number	5 400695 0 03002
EAN	4015471126513
Finish	polished nickelled (SW 038)
VPE	pack of 2
DIN	DIN right and left hand
Article number	5 400695 0 03802
EAN	4015471127329
Finish	satin brassed (SW 047)
VPE	pack of 2
DIN	DIN right and left hand
Article number	5 400695 0 04702
EAN	4015471130824
Finish	RAL 9016 Traffic White (SW 070)
VPE	pack of 2
DIN	DIN right and left hand
Article number	5 400695 0 07002
EAN	4015471127367
Finish	RAL 9005 Matte Black (SW 107)
VPE	pack of 2
DIN	DIN right and left hand
Article number	5 400695 0 10702
EAN	4015471128265
Finish	Satin Chrome Look (F1) (SW 124)
VPE	pack of 2
DIN	DIN right and left hand
Article number	5 400695 0 12402
EAN	4015471128272
Finish	Satin Nickel Look (F2) (SW 125)
VPE	pack of 2
DIN	DIN right and left hand
Article number	5 400695 0 12502
EAN	4015471128289



steel frame



block frame 90°



block frame 180°

TECTUS - TE 540 3D A8

Finish	Stainless Steel Look (SSL) (SW 126)
VPE	pack of 2
DIN	DIN right and left hand
Article number	5 400695 0 12602
EAN	4015471128319
Finish	Satin Nickel (SW 144)
VPE	pack of 2
DIN	DIN right and left hand
Article number	5 400695 0 14402
EAN	4015471128364
Finish	Satin Chrome (SW 146)
VPE	pack of 2
DIN	DIN right and left hand
Article number	5 400695 0 14602
EAN	4015471128371
Finish	Rustic Umber (SW 156)
VPE	pack of 2
DIN	DIN right and left hand
Article number	5 400695 0 15602
EAN	4015471128401
Finish	Bronze Metallic (SW 168)
VPE	pack of 2
DIN	DIN right and left hand
Article number	5 400695 0 16802
EAN	4015471128418
Finish	Bronze Finish (SW 174)
VPE	pack of 2
DIN	DIN right and left hand
Article number	5 400695 0 17402
EAN	4015471128425
Finish	Bronze Finish light (SW 175)
VPE	pack of 2
DIN	DIN right and left hand
Article number	5 400695 0 17502
EAN	4015471128432

TECTUS - TE 540 3D A8

Finish	Bronze Finish dark (SW 176)
VPE	pack of 2
DIN	DIN right and left hand
Article number	5 400695 0 17602
EAN	4015471128449