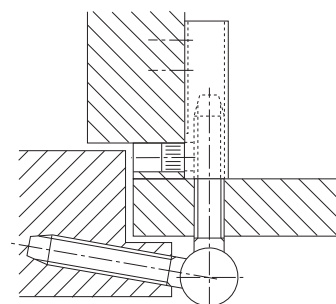


For timber frames

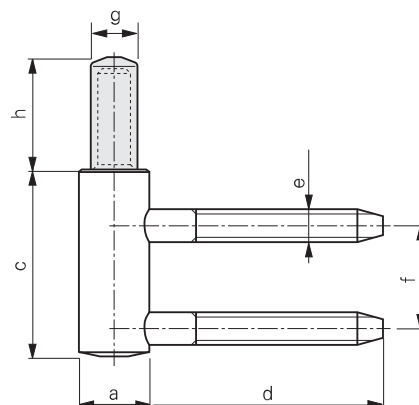
Load per hinge 20 kg



Article	Material	Finish	Salt spray Packaging test hour	
489772	Steel	Old bronzed	2	200
1272315	Inox	Matt stainless steel		20
843408	Steel	Chromated	20	20
494247	Steel	Gold colour	3	20
489771	Steel	Brassed	4	200
1272055	Steel	Nickel	20	200
843409	Steel	White RAL 9010	1000	50
678588	Steel	Zinc coated	120	200



a	c	d	e	f	g	h
mm	mm	mm	mm	mm	mm	mm
15,0	40,0	50,0	7,0	22,0	10,0	24,0



### associated articles



10L-15-F21  
p. 6.1 3



10L-15-F42  
p. 6.1 1



10L-15-F43  
p. 6.1 2



012-RM-017  
p. 10.2 7