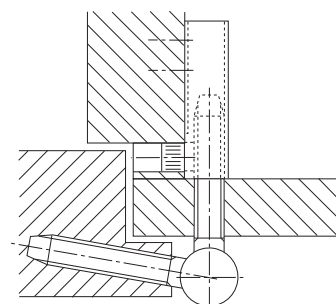


For timber doors

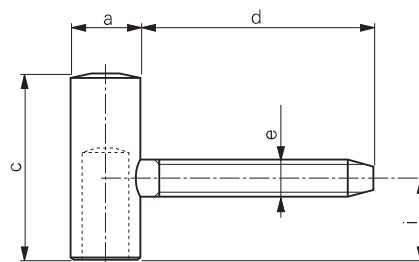
Load per hinge 20 kg



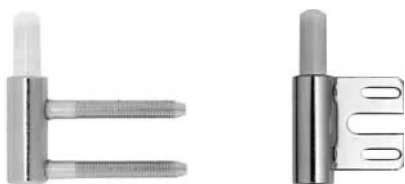
Article	Material	Finish	Salt spray test hour	Packaging test hour
836094	Inox	Matt stainless steel	20	20
843320	Steel	Chromated	20	20



a mm	c mm	d mm	e mm	i mm
15,0	39,5	50,0	8,0	17,5



associated articles



10L-15-M26	10L-15-M23
p. 6.1 4	p. 6.1 5