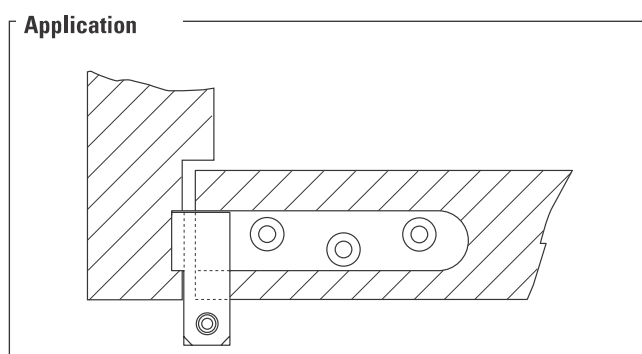
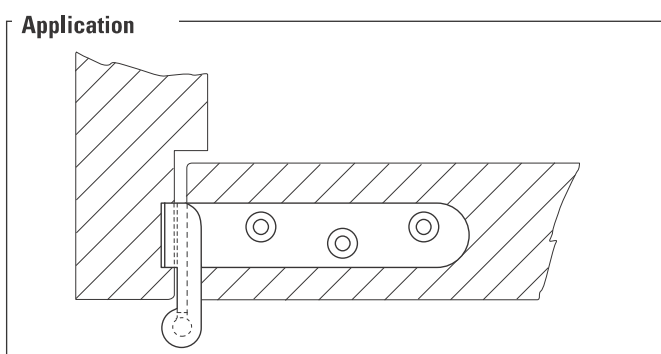
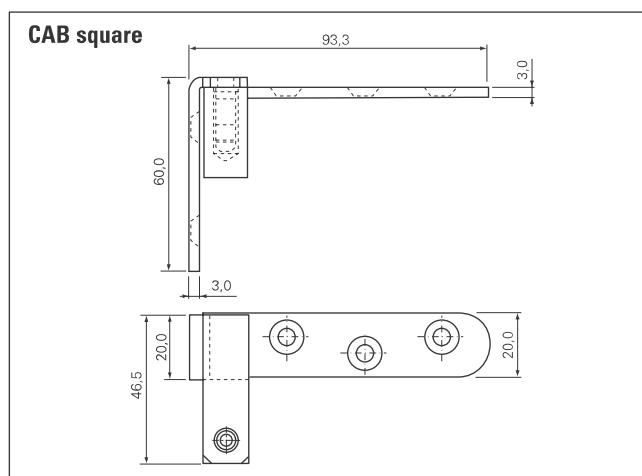
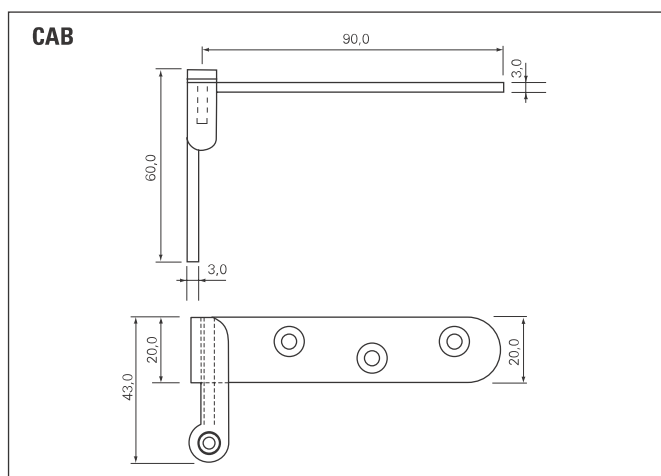
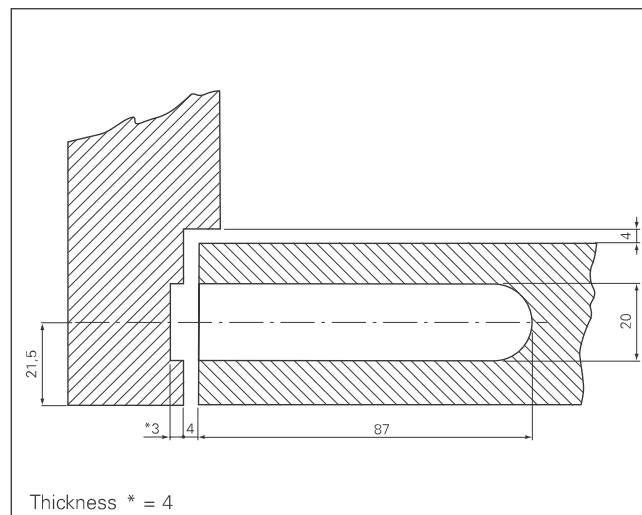
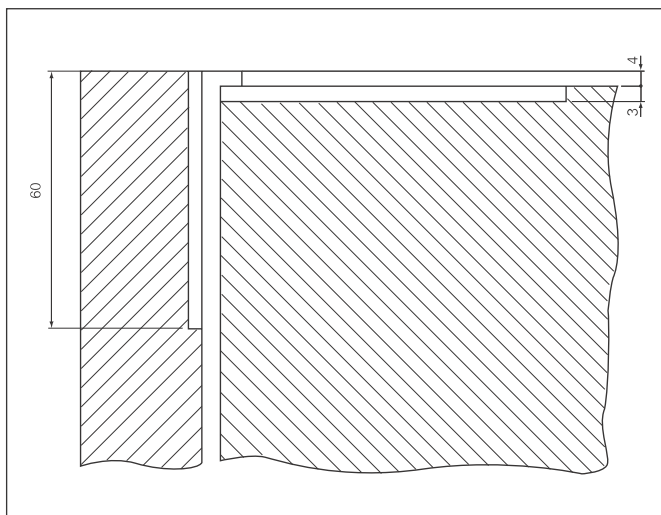


Technical data CAB - CAB square

Technical drawings CAB



Milling diagrams



We recommend using both washers in the lower part to rest on the floor.

Finishes and codes

CAB

Ordering codes	Finish	Packaging
1272496	Brassed	10 pairs
954008	Matt nickel	10 pairs

CAB square

Ordering codes	Finish	Packaging
1164668	Brassed	40 pairs
1272701	Matt chrome	10 pairs

drawings available in .dxf format upon request

* 1 pair = 1 door