

**Pivot hinges
catalogue**



Optimisation of living space and care for architectural detail thanks to simplicity and minimalism.

These are the latest interior design dictates that overturn the concept of interior fittings, which leads to recessed jambs, trims and, most of all, exposed hinges.

The use of flush fit doors in modern interior design has been quite a challenge for hinge manufacturers. SFS intec has tackled this challenge by providing not just any hinge, but an entire range of products that meet the requirements of both door manufacturers and architects.

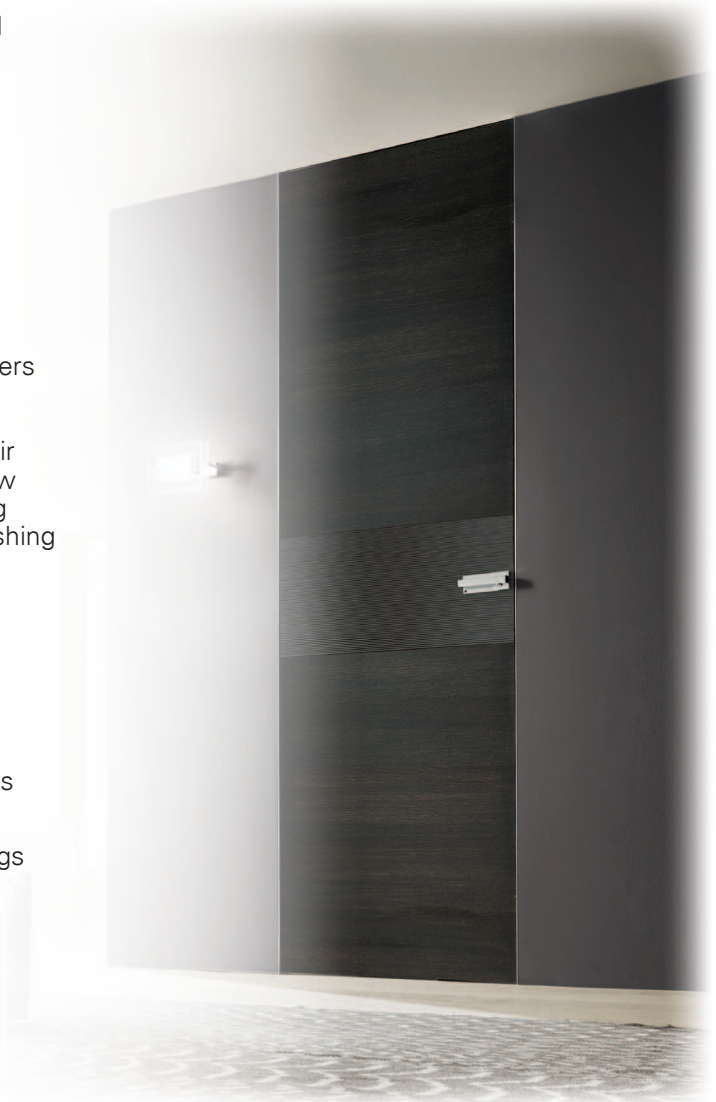
The former are happy to use our products due to their ease of use and adjustment; the latter appreciate how our range emphasises their design potential, allowing them to realise their idea of interior design and furnishing solutions.

Reasons to choose SFS intec pivot hinges

- greater aesthetic value of your door
- wide range of products
- one single product for both right and left-hand doors
- easy adjustment once the door is mounted
- complete systems equipped with caps and milling jigs
- no maintenance over time
- smooth sliding
- no squeaks

A hinge that looks into the future

A door hinge is a bit like the engine of a car. A car without an engine is as useless as a door without hinges. SFS intec has been providing solutions without compromise that look into the future for over 50 years. Solutions that always comply with EU directives and never require maintenance over the years.



SFS intec has been operating for over 50 years and has continuously evolved, adapting to market requirements.



With its 50 sites, in over 25 countries and 6800 collaborators ready to give their contribution, SFS intec provides the automotive industry with precision cold formed parts; electronics, household appliance, and aeronautic industries. The construction sector manufactures mechanical fastening systems and innovative products for the door and window hinge industry.

SFS intec S.r.l. unipersonale, based in Pordenone, is part of the latter.

CAB-R **3D** Description 6 - 7

CAB-R Description 8 - 9

CAB - CAB **square** Description 12 - 13

CIR Description 16 - 17

Accessories Barausse System releasable hinge 20

Cover caps 21

Adhesive spacer 21

Milling jigs 21

Technical data CAB-R **3D** 22

CAB-R 23

CAB - CAB **square** 24

CIR 25

Specifications 26



CAB-R 3D
CAB-R



CAB-R 3D

*Perfect combination
between technology
and aesthetics*



Pivot door hinges



Minimalist design, load capacities, and versatility are the main features of these **high value added** hinges.

They meet the **aesthetic requirements of modern design**, as well as the **structural requirements** of the main interior door manufacturers.

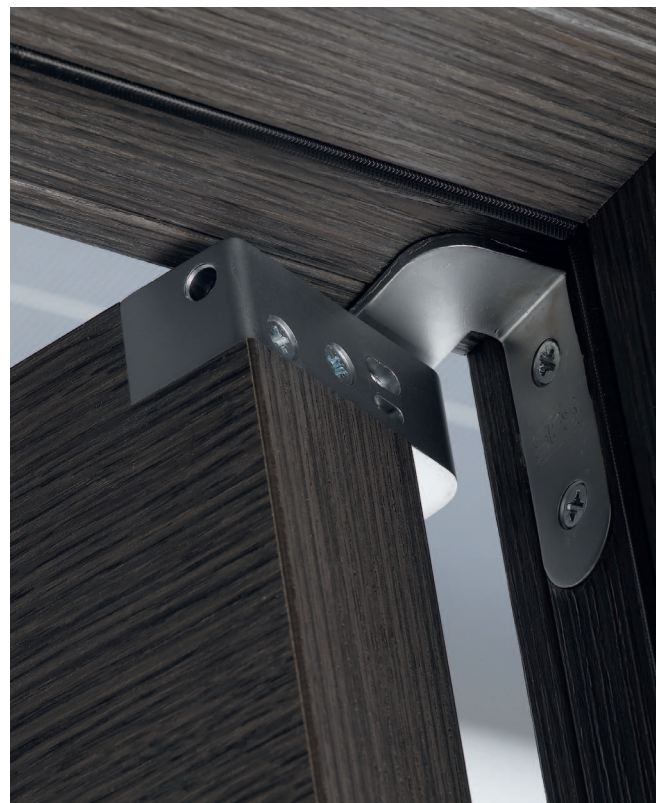
These innovative hinges are the result of important and continuous studies carried out by SFS intec into the markets it operates within, and especially of the continuous dialogue with our customers to understand their needs.

The CAB-R 3D hinge can be adjusted in the 3 dimensions using a single hex key (height: 0/+3 mm, side: +/-1.5 mm and depth: +/-2 mm).

It makes both the door panel and the frame reversible, meeting all manufacturing requirements with a single hinge.

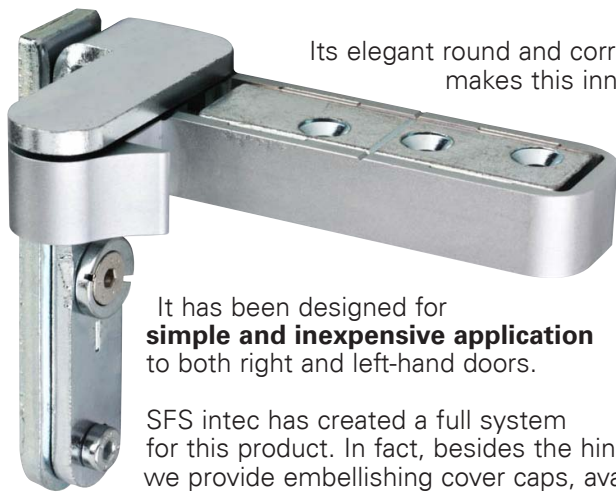
Available in two versions, short and long, and can be applied upon milling door panels with a thickness ranging between 35 and 45 mm.

Thanks to its fastening system to the door panel and the self-lubricating bushes, which ensure smooth and maintenance-free movement over time, CAB-R 3D has passed the 200,000 cycle test with an 80 Kg door with ease.



CAB-R

behind the minimalist design hides state of the art technology designed and manufactured by SFS intec



Its elegant round and corrugated **design**, easy **adjustment** and **180° opening** makes this innovative hinge a must in this sector

It has been designed for **simple and inexpensive application** to both right and left-hand doors.

SFS intec has created a full system for this product. In fact, besides the hinge, we provide embellishing cover caps, available in various colours, which can be applied inside the jamb, and the milling template, to optimise manufacturing times.

Adjustments are carried out once the door is mounted, using simple hex keys.

The sash part allows adjusting the door laterally up to $\pm 3.0\text{mm}$, whereas the frame part allows adjusting the depth by $\pm 1.5\text{mm}$.

The rotation fulcrum consists of a steel pin covered with a self-lubricating material, which ensures sliding



and prevents squeaks and maintenance over time.

As all SFS intec products, CAB-R is technically reliable and has been tested to 200,000 cycles with a 70 kg door.







CAB
CAB square



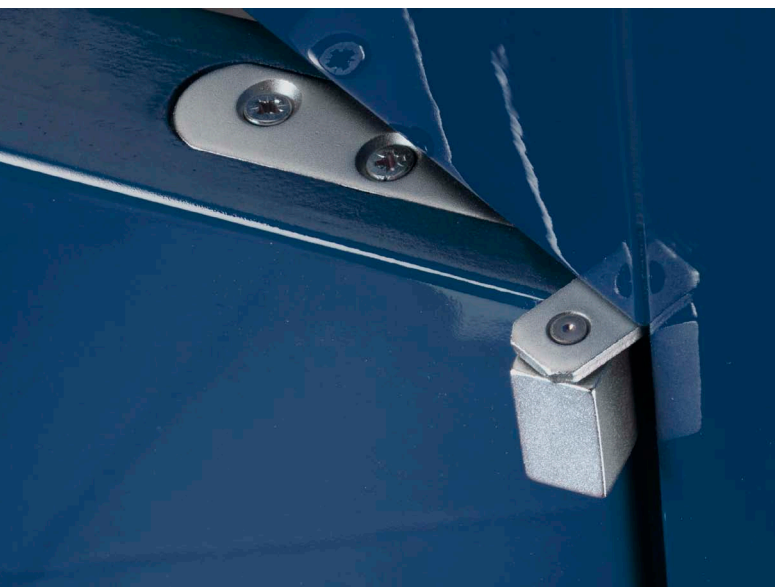
CAB - CAB square

Two hinges with different aesthetics, one with a rounded design and the other with squarer shapes, which meet the requirements of modern interior design.

Easy to install and particularly suitable for industrial clients, thanks to their symmetry; their rotation point has been reinforced and their pin was elongated to improve their seal. Moreover, the square version has a self-lubricating bush, which makes the fixtures slide easily, keeping them squeak-free and maintenance-free.

A 1 mm nylon spacer, which can be applied to the frame, is available for possible adjustments whilst installing the door.

Brass, chrome, and matt nickel coated finishes are the aesthetic options for these hinges.



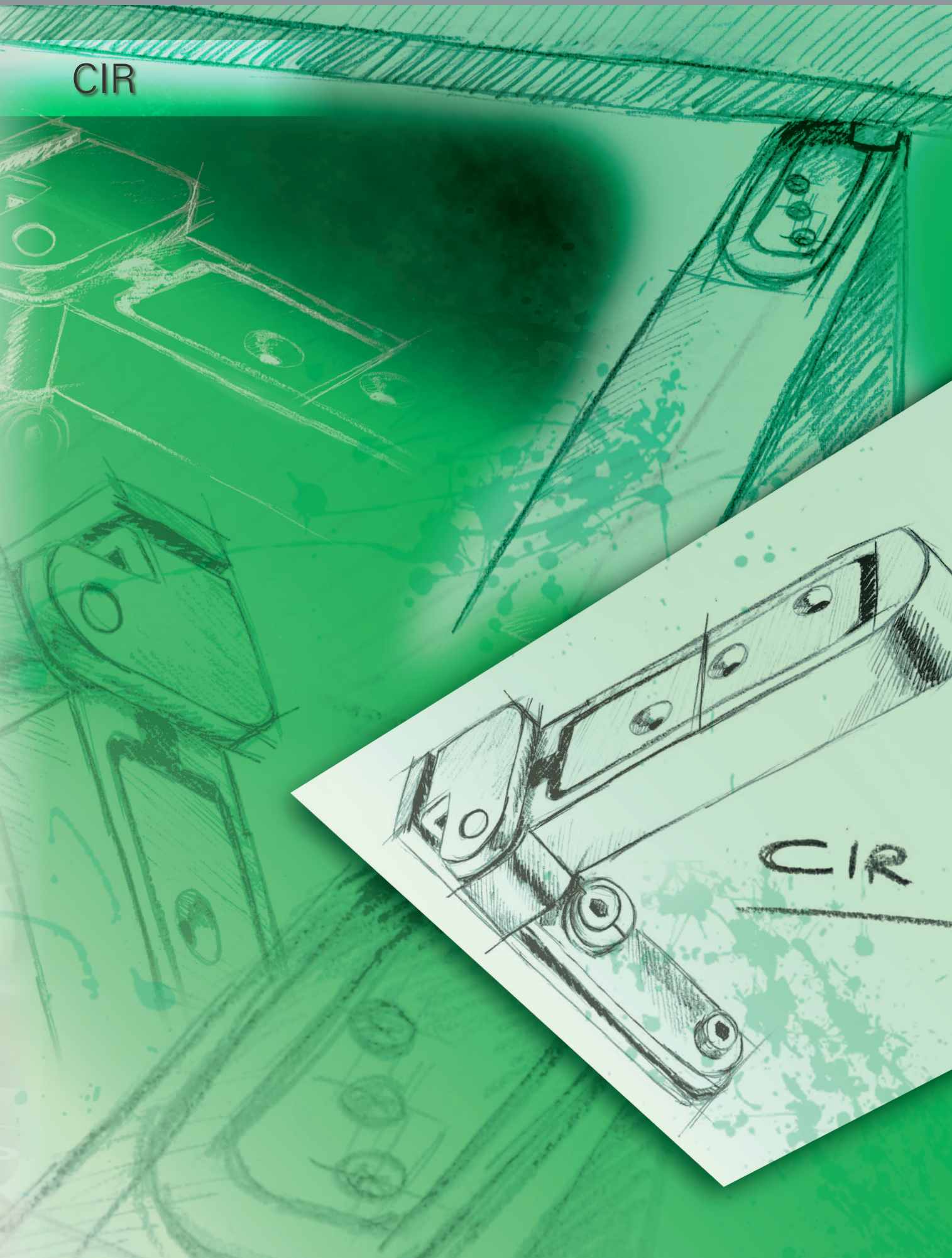
Pivot door hinges

a double offer that meets essential requirements of modern design, demonstrating SFS intec's commitment in every product, meeting market requirements through a practical simplification of the application





CIR





Pivot door hinges

CIR *invisible to the eye, but its technical presence does not go unnoticed. This hinge emphasises SFS intec's manufacturing capability of making simple products complex.*



An invisible, yet essential presence, since it has been designed to be **applied in a simple and inexpensive way** on both right and left-handed doors.

Adjustments are carried out once the door is mounted, using simple hex keys. The sash part allows adjusting the door laterally up to $\pm 3.0\text{mm}$, whereas the frame part allows adjusting the depth by $\pm 1.5\text{mm}$.

The rotation fulcrum consists of a steel pin covered with a self-lubricating material, which ensures sliding and prevents squeaks and maintenance over time.

CIR is a full system. Besides the hinge, we provide embellishing cover caps, available in various colours, which can be applied inside the jamb, and the milling template.

Technically reliable, this new invisible hinge has been tested in 200,000 cycles with a 70 kg door.





Accessories

Barausse System releasable hinge

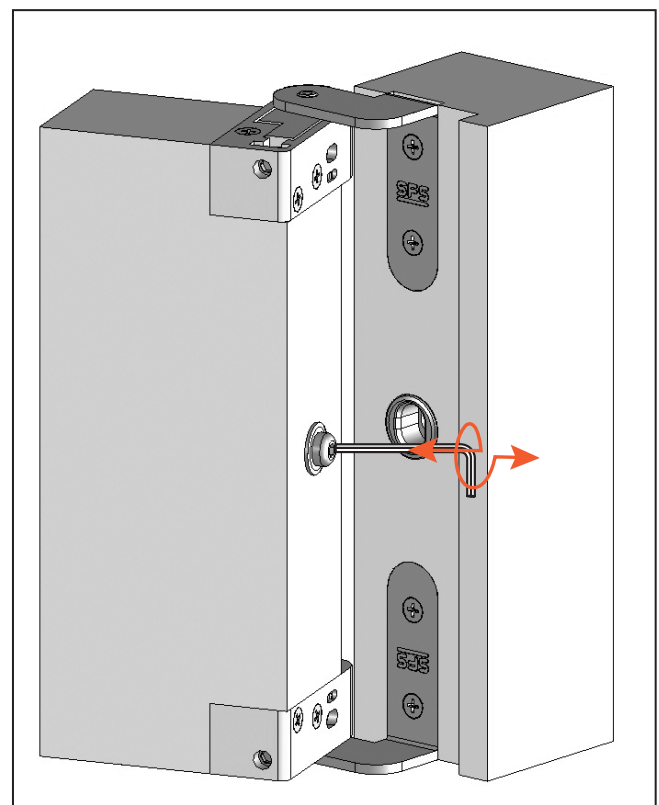
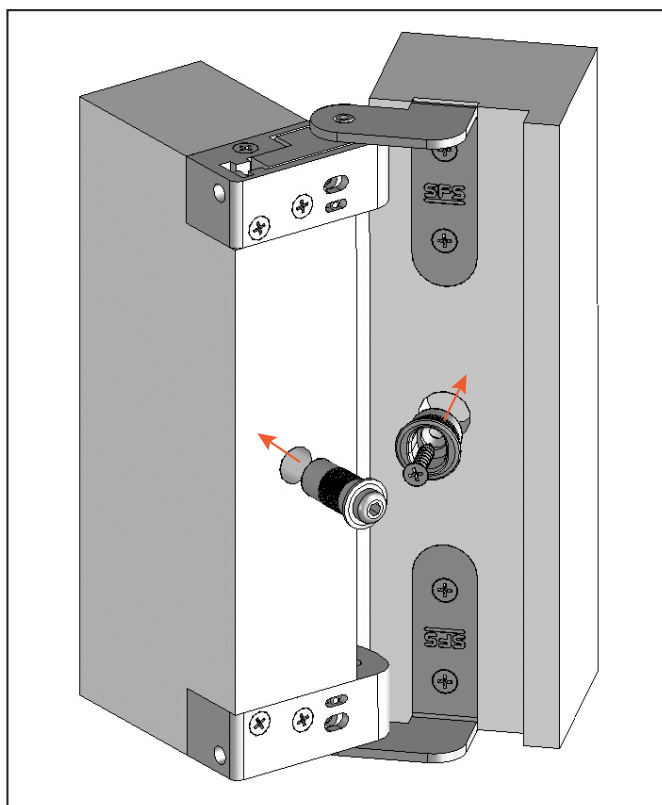
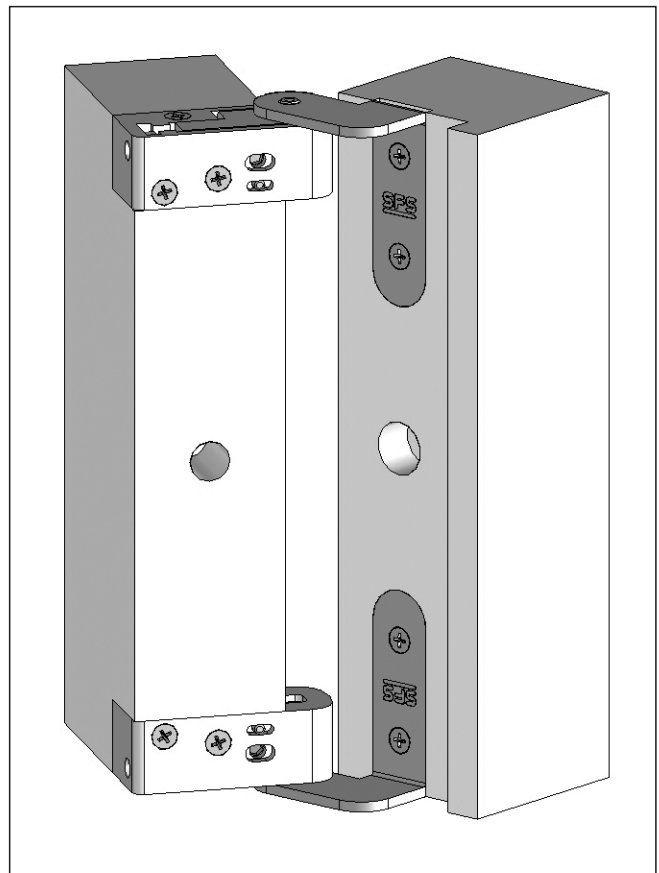
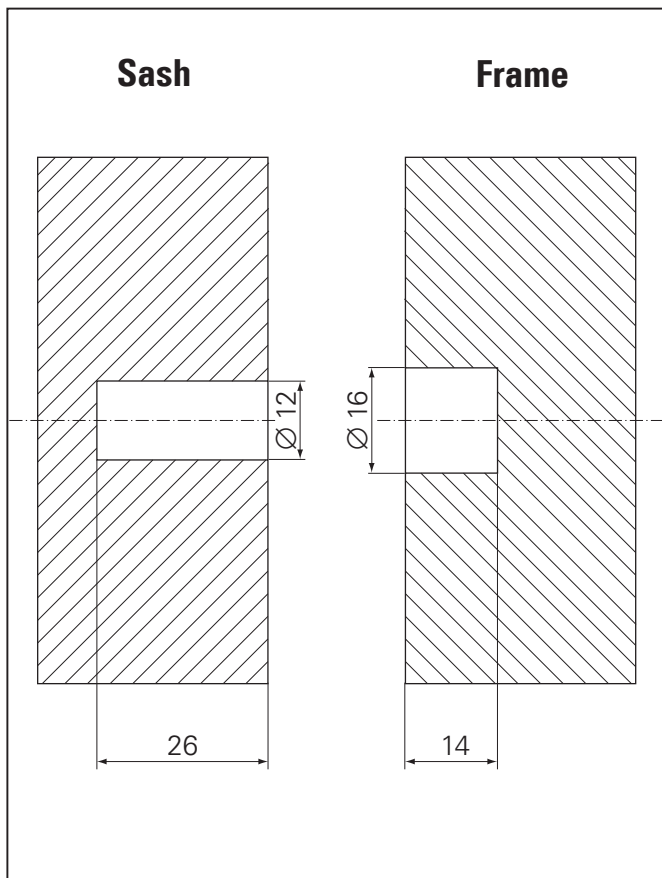
Cover Caps

Adhesive spacer

Milling jigs



Barausse System releasable hinge for pivot door hinges



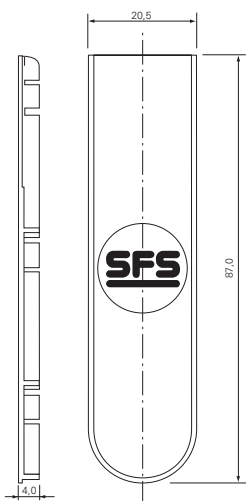
Barausse System releasable hinge



Ordering codes

1188866

Cover Caps



Ordering codes **Finish** **Packaging**

768006	White	12 pcs.
768007	Brown	12 pcs.
771111	Black	12 pcs.
766666	Brassed	12 pcs.
766667	Chromated	12 pcs.
1100909	Matt chrome	12 pcs.

Adhesive spacer

to rest on 1 mm floor for CAB-R 3D and CAB-R, CIR and CAB square

Ordering codes

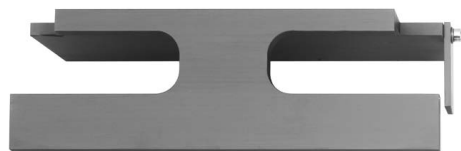
1261277

Packaging

60 pcs.

Milling jigs

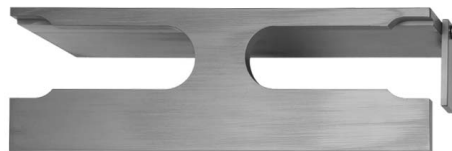
Milling jigs for CAB-R



Ordering codes

1272078

Milling jigs for CIR



Ordering codes

1272271

Jig for Barausse System releasable hinge

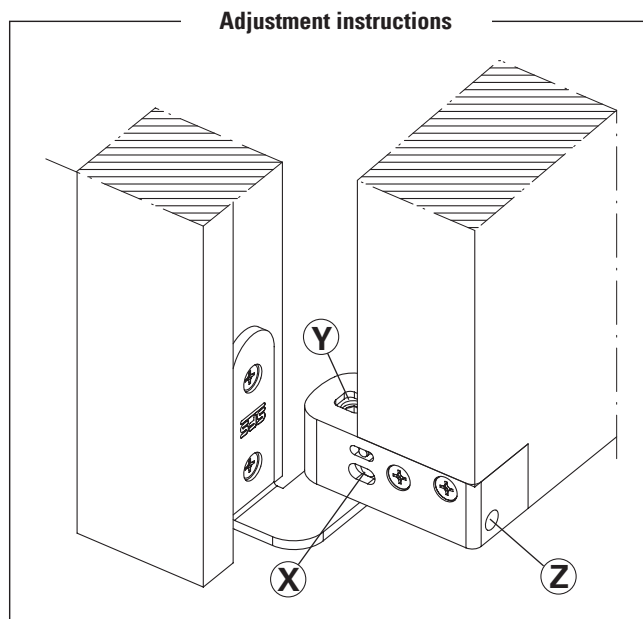
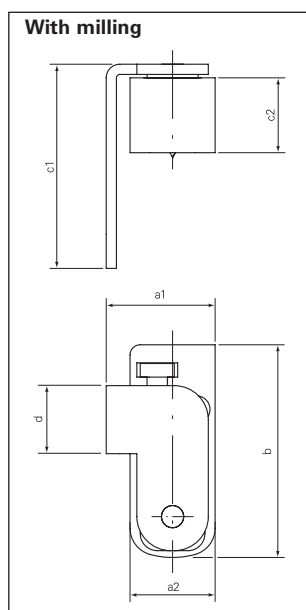
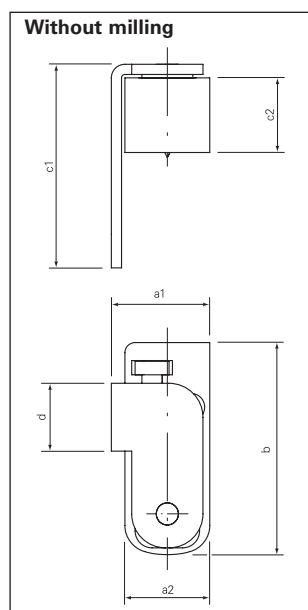


Ordering codes

1272788

Technical data CAB-R 3D

Technical drawings



Male without milling

For panels between 40 and 45 mm	For panels between 35 and 40 mm
a1 = 29,0	a1 = 29,0
a2 = 25,0	a2 = 25,0
b = 62,5	b = 55,5
c1 = 60,0	c1 = 60,0
c2 = 22,0	c2 = 22,0
d = 20,0	d = 20,0

Male with milling

For panels between 40 and 45 mm	For panels between 35 and 40 mm
a1 = 32,0	a1 = 32,0
a2 = 25,0	a2 = 25,0
b = 62,5	b = 55,5
c1 = 60,0	c1 = 60,0
c2 = 22,0	c2 = 22,0
d = 20,0	d = 20,0

Horizontal adjustment: adjust screw «X», using a 4mm Allen key to obtain a ± 1.5 mm adjustment.

Height adjustment: adjust screw «Y», using a 4mm Allen key to obtain a 0/+3mm adjustment.

Gasket pressure adjustment: adjust screw «Z», using a 4mm Allen key to obtain a ± 2 mm adjustment.

Milling diagrams

Sash and frame milling plane for built-in male

Milling table

Door Thickness (A) 35-40 mm	(X)
35	9
36	10
37	11
38	12
39	13
40	14

Door Thickness (A) 40-45 mm	(X)
40	8
41	9
42	10
43	11
44	12
45	13

Sash milling plane and frame screw positioning for non built-in male

Screw positioning table

Door Thickness (A) 35-40 mm	(X)
35	19
36	20
37	21
38	22
39	23
40	24

Door Thickness (A) 40-45 mm	(X)
40	18
41	19
42	20
43	21
44	22
45	23

Finishes and codes

	Ordering codes	Finish	Packaging
For panels between 40 and 45 mm	1272698 Male without milling	Matt chrome	6 pairs
	1158391 Male without milling	Brassed	6 pairs
	1272699 Male with milling	Matt chrome	6 pairs
	1158392 Male with milling	Brassed	6 pairs

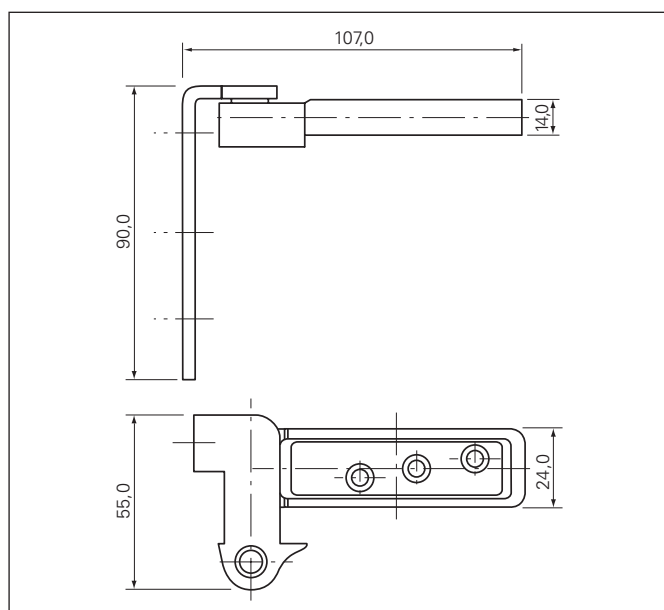
	Ordering codes	Finish	Packaging
For panels between 35 and 40 mm	1272805 Male without milling	Matt chrome	1 pair*
	1197702 Male without milling	Brassed	1 pair*
	1272806 Male with milling	Matt chrome	1 pair*
	1197705 Male with milling	Brassed	1 pair*

drawings available in .dxf format upon request

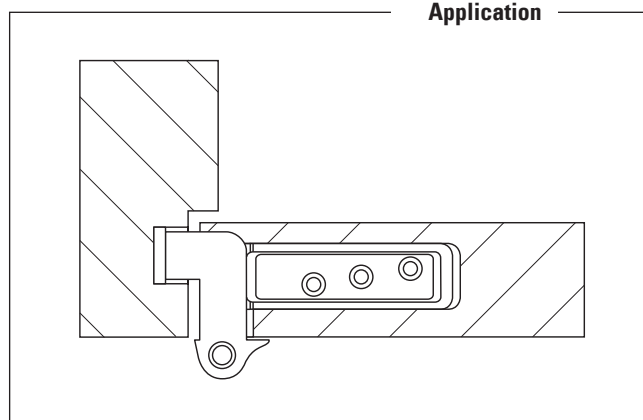
* 1 pair = 1 door

Technical data CAB-R

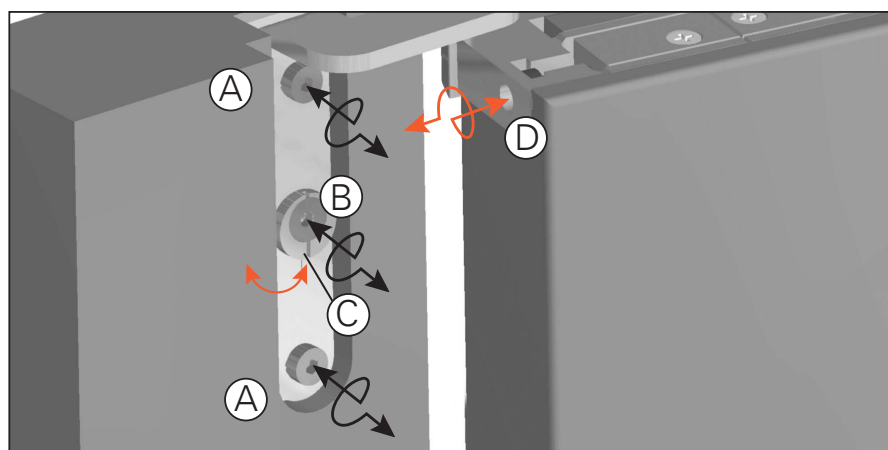
Technical drawings



Application



Adjustment instructions



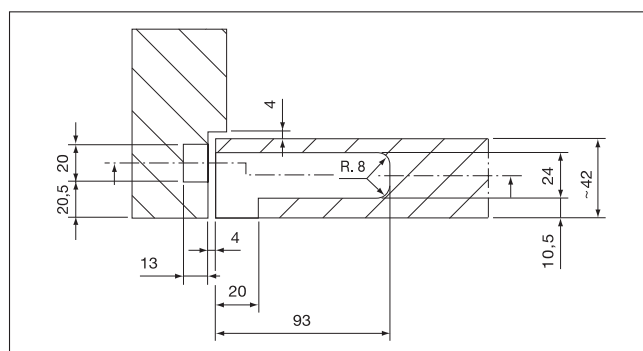
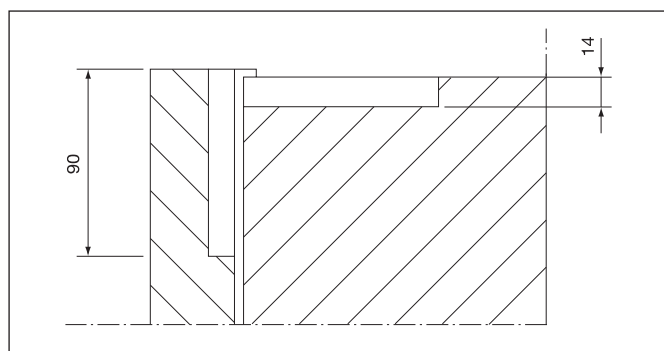
Depth adjustment

Loosen screws (A) and (B) and adjust eccentric screw (C) to adjust depth.

Lateral adjustment

Adjust screw (D)

Milling diagrams



Finishes and codes

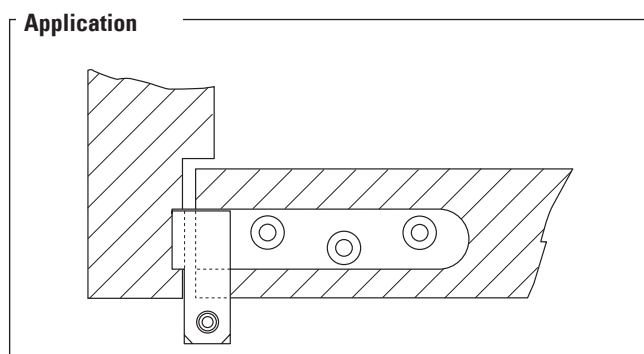
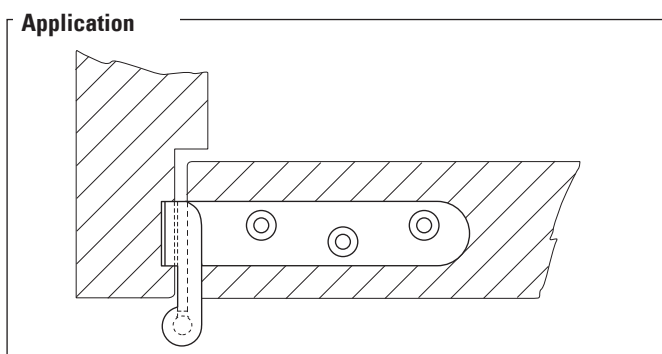
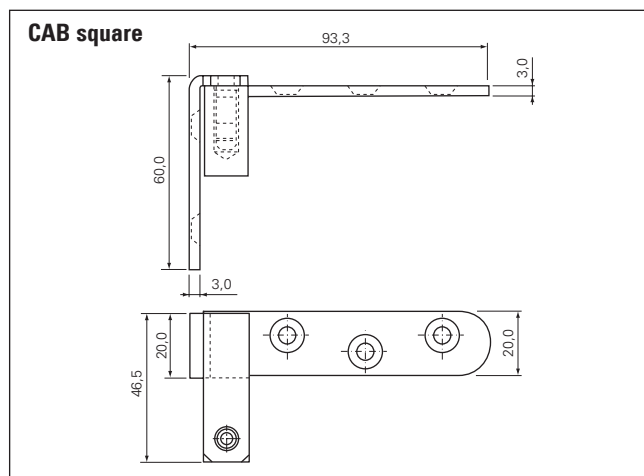
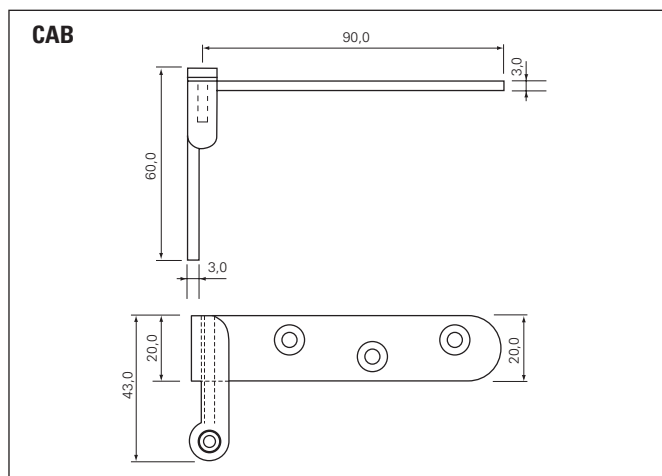
Ordering codes	Finish	Packaging
1272070	Matt chrome plated	6 pairs
516543	Gold colour	6 pairs

drawings available in .dxf format upon request

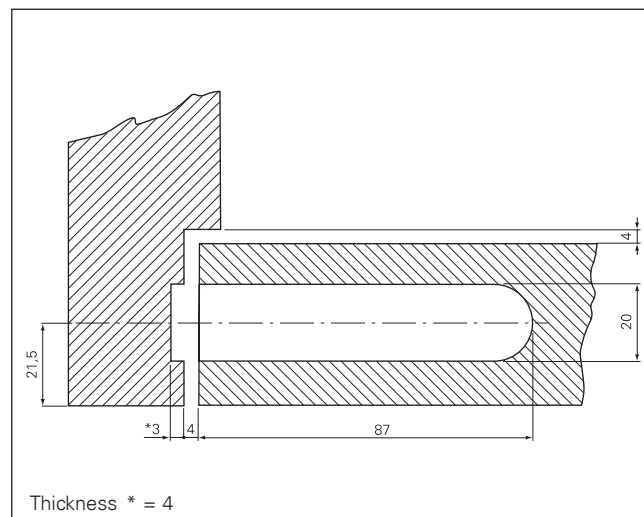
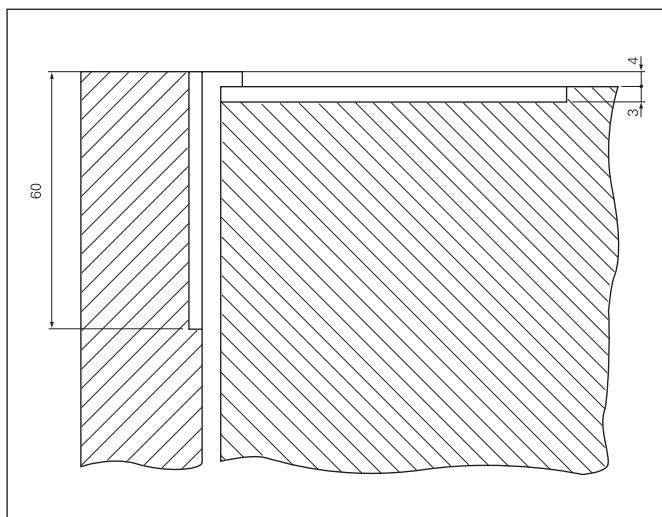
* 1 pair = 1 door

Technical data CAB - CAB square

Technical drawings CAB



Milling diagrams



We recommend using both washers in the lower part to rest on the floor.

Finishes and codes

CAB

Ordering codes	Finish	Packaging
1272496	Brassed	10 pairs
954008	Matt nickel	10 pairs

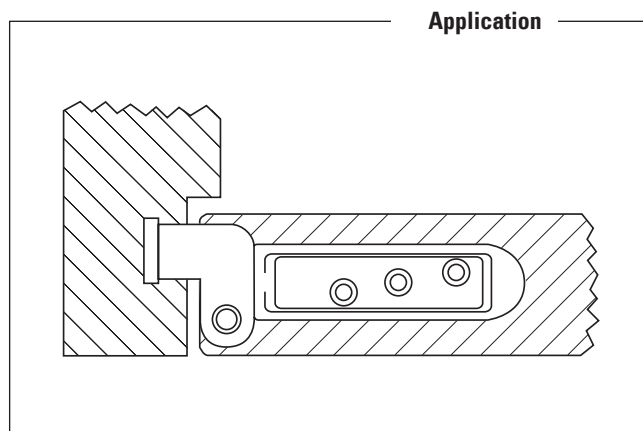
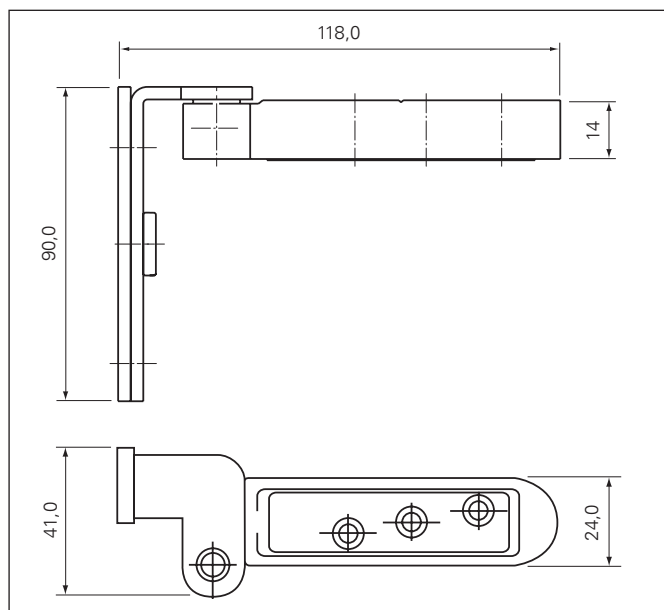
CAB square

Ordering codes	Finish	Packaging
1164668	Brassed	40 pairs
1272701	Matt chrome	10 pairs

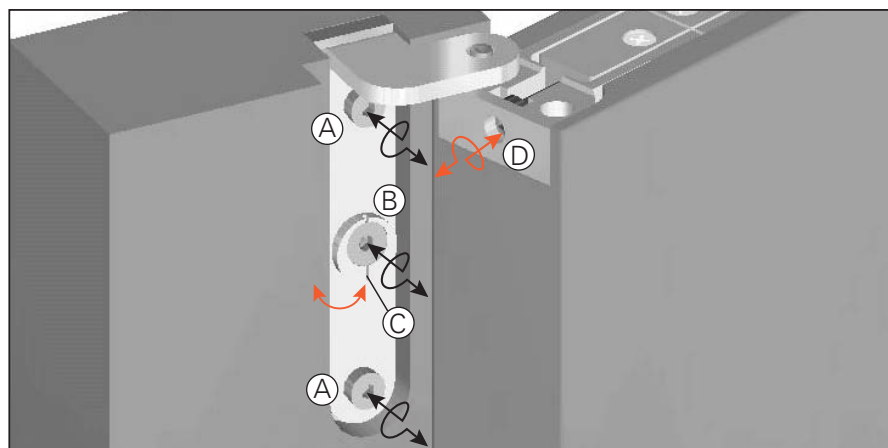
drawings available in .dxf format upon request

* 1 pair = 1 door

Technical data CIR



Adjustment instructions



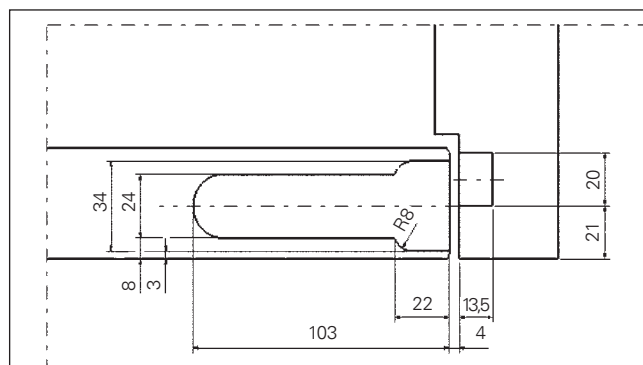
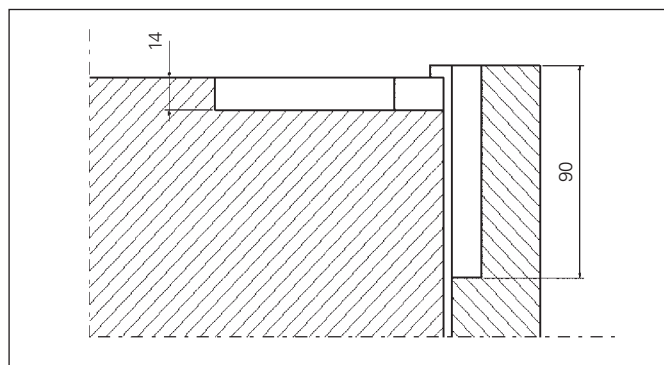
Depth adjustment

Loosen screws (A) and (B) and adjust eccentric screw (C) to adjust depth.

Lateral adjustment

Adjust screw (D)

Milling diagrams



Finishes and codes

	Ordering codes	Finish	Packaging
Hinge	1272272	Zinc	6 pairs

drawings available in .dxf format upon request

* 1 pair = 1 door

Specifications

Model	Description
CAB-R-3D-001	Design pivot hinge for 40-45 mm flush fit doors without milling on the frame and a maximum weight of 80 kilos. The installation of the hinge does not require any operation on the ceiling and on the floor. Right and left handed. Reversible door and frame. Adjustable in 3 dimensions (height: 0/+3mm; horizontal: +/- 1,5mm; gasket pressure: +/-2mm) with only one Allen key. 180° opening. Self-lubricating bushes provide a smooth and silent movement. Finishings: matt chrome and brassed.
CAB-R-3D-002	Design pivot hinge for 40-45 mm flush fit doors with milling on the frame and a maximum weight of 80 kilos. The installation of the hinge does not require any operation on the ceiling and on the floor. Right and left handed. Reversible door and frame. Adjustable in 3 dimensions (height: 0/+3mm; horizontal: +/- 1,5mm; gasket pressure: +/-2mm) with only one Allen key. 180° opening. Self-lubricating bushes provide a smooth and silent movement. Finishings: matt chrome and brassed.
CAB-R-3D-003	Design pivot hinge for 35-40 mm flush fit doors without milling on the frame and a maximum weight of 80 kilos. The installation of the hinge does not require any operation on the ceiling and on the floor. Right and left handed. Reversible door and frame. Adjustable in 3 dimensions (height: 0/+3mm; horizontal: +/- 1,5mm; gasket pressure: +/-1mm) with only one Allen key. 180° opening. Self-lubricating bushes provide a smooth and silent movement. Finishings: matt chrome and brassed.
CAB-R-3D-004	Design pivot hinge for 35-40mm flush fit doors with milling on the frame and a maximum weight of 80 kilos. The installation of the hinge does not require any operation on the ceiling and on the floor. Right and left handed. Reversible door and frame. Adjustable in 3 dimensions (height: 0/+3mm; horizontal: +/- 1,5mm; gasket pressure: +/-1mm) with only one Allen key. 180° opening. Self-lubricating bushes provide a smooth and silent movement. Finishings: matt chrome and brassed.
CAB-R	Design pivot hinge for flush fit doors of 38 mm minimum panel and a maximum weight of 70 kilos. The installation of the hinge does not require any operation on the ceiling and on the floor. Right and left handed. Adjustable in 2 dimensions (horizontal: +/- 3mm; gasket pressure: +/-1,5mm) with only one Allen key. 180° opening. Self-lubricating bushes provide a smooth and silent movement. Finishings: matt chrome and brassed. Cover caps available in different finishings.
CAB-00-02	Design pivot hinge for timber and/or aluminium flush fit doors of a maximum weight of 35 kilos. The installation of the hinge does not require any operation on the ceiling and on the floor. Right and left handed. 180° opening. Self-lubricating washers provide a smooth and silent movement. Finishings: matt chrome and brassed.
CAB-022 (square)	Design pivot hinge for timber and/or aluminium flush fit doors of a maximum weight of 50 kilos. The installation of the hinge does not require any operation on the ceiling and on the floor. Right and left handed. 180° opening. Self-lubricating washers provide a smooth and silent movement. Finishings: matt chrome and brassed.
CIR-00-03	Design pivot hinge for flush fit doors of 40 mm minimum panel and a maximum weight of 70 kilos. The installation of the hinge does not require any operation on the ceiling and on the floor. Right and left handed. Adjustable in 2 dimensions (horizontal: +/- 3mm; gasket pressure: +/-1,5mm) with only one Allen key. 110° opening. Self-lubricating bushes provide a smooth and silent movement. Finishings: matt chrome and brassed. Cover caps available in different finishings.

made in Italy

SFS intec S.r.l. unipersonale
Via Castelfranco Veneto, 71
IT-33170 Pordenone

Tel. 0434 99 51
Fax 0434 995201
it.info@sfsintec.biz
www.sfsintec.biz/it

www.sfsintec.biz/ch/fs030



SFS intec
Turn ideas into reality