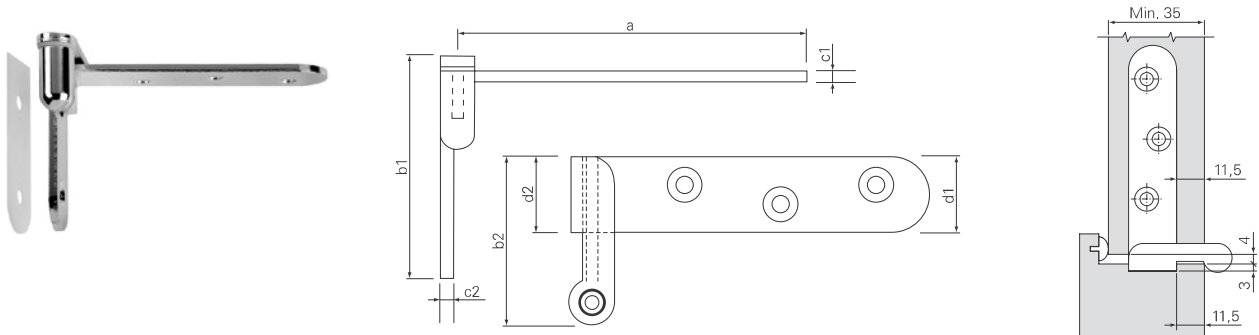


CAB-00-02

## CAB - Cylindrical pivot hinge for internal doors



### Technical information

a mm	b1 mm	b2 mm	c1 mm	c2 mm	d1 mm	d2 mm	
90.0	60.0	43.0	3.0	3.0	20.0	20.0	

4

### Application

- For timber flush fit doors
- Load capacity per pair 40 kg

Product / Application	art. No	Material	Surface	Salt spray test hour	Pa-ckaging
CABE002NO	954008	Steel	Nickel matt	48	10
CABE002MT	1272496	Steel	Brassed	24	10

### Accessories



- Page 9.2