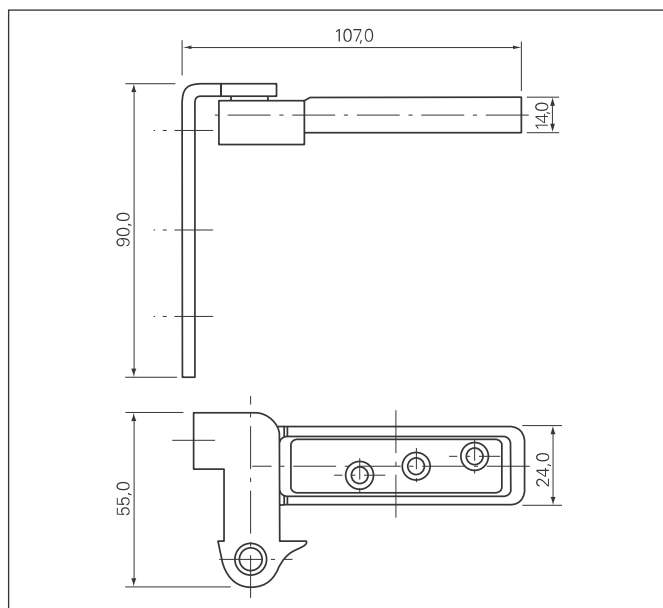
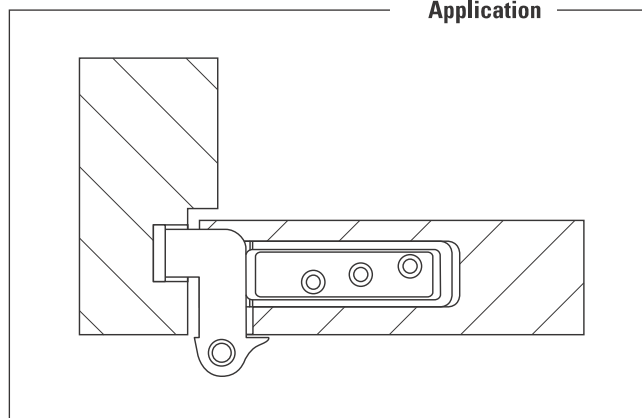


# Technical data CAB-R

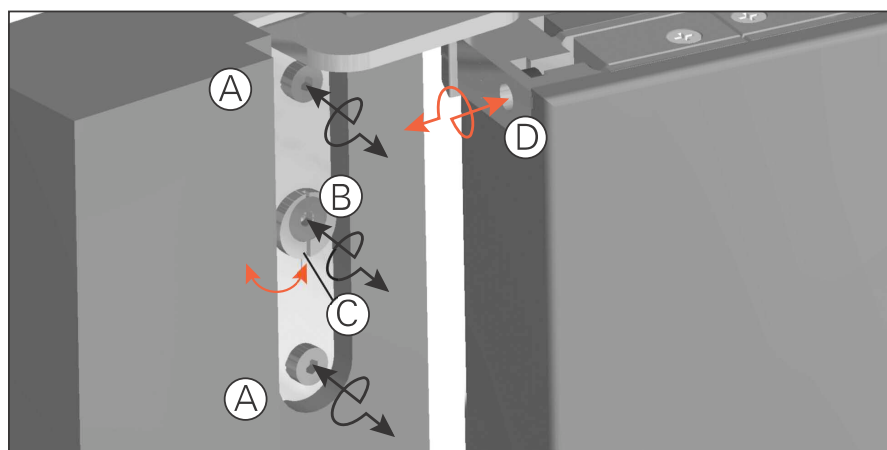
## Technical drawings



## Application



## Adjustment instructions



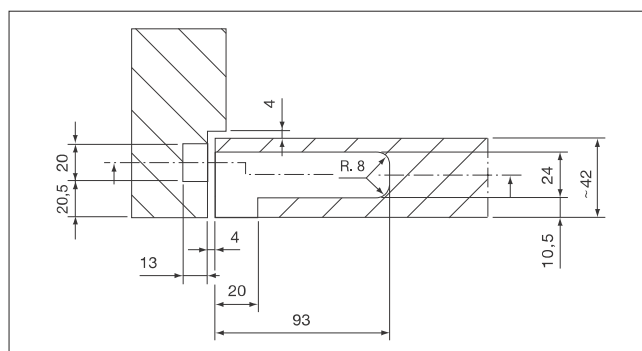
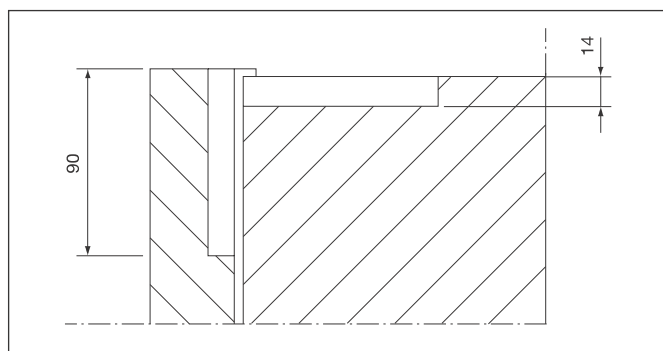
### Depth adjustment

Loosen screws (A) and (B) and adjust eccentric screw (C) to adjust depth.

### Lateral adjustment

Adjust screw (D)

## Milling diagrams



## Finishes and codes

Ordering codes	Finish	Packaging
1272070	Matt chrome plated	6 pairs
516543	Gold colour	6 pairs

drawings available in .dxf format upon request

\* 1 pair = 1 door