

Adjustable Easy-Fix, 2,2 mm thickness, for Polaris 2XT, Revolution XT, Mediana Evolution and Centro latch only - for rebated doors

Description

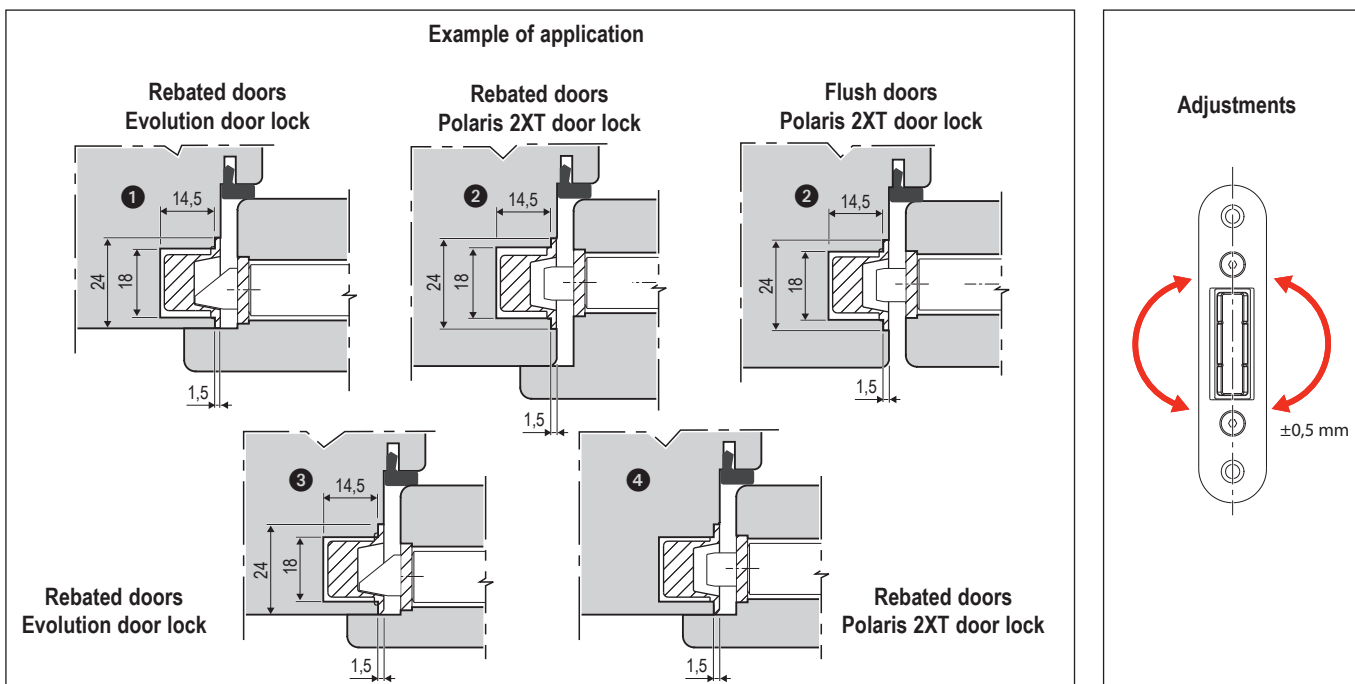
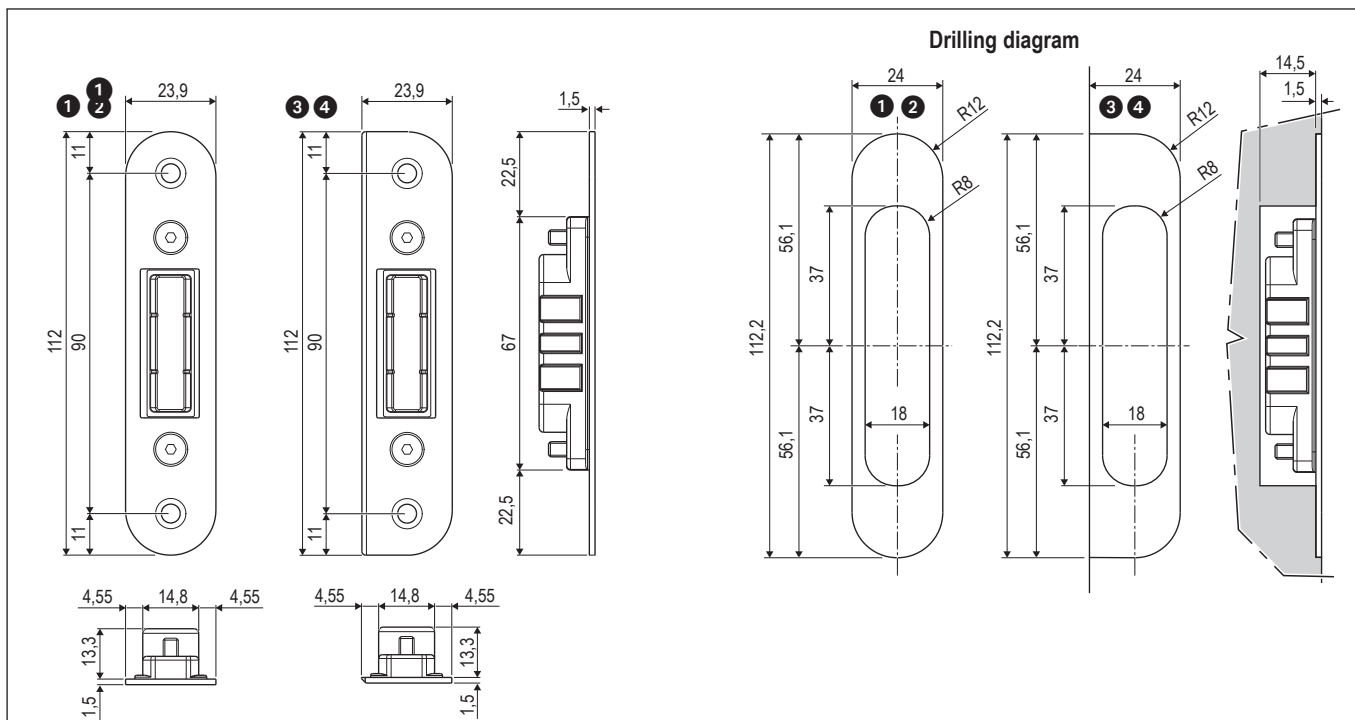
Adjustable steel striker and latch hole cover-tray, available with or without magnet. Adjustable in pressure up to 3 mm without removing the striker but only using an allen key in the front. Turning the striker up to 180°, you can reach 0,5 mm more.

Choice and Use

To be coupled with Polaris 2XT, Revolution XT, Vitra, Mediana Evolution and Centro latch only on rebated doors, the application is possible on flush doors, only coupled with Polaris 2XT, Revolution XT and Vitra.

Fastening

For fastening, use two screws 3,5x20 mm.



Order Specifications

Ref.	Article	Description
1	B01402.51.XX	Adjustable striker for flush doors
2	B02402.51.XX	Adjustable striker for flush doors with magnet
3	B01402.52.XX	Adjustable striker for rebate doors
4	B02402.52.XX	Adjustable striker for rebate doors with magnet

Note. Refer to the price list in force to check the availability of the finishes.