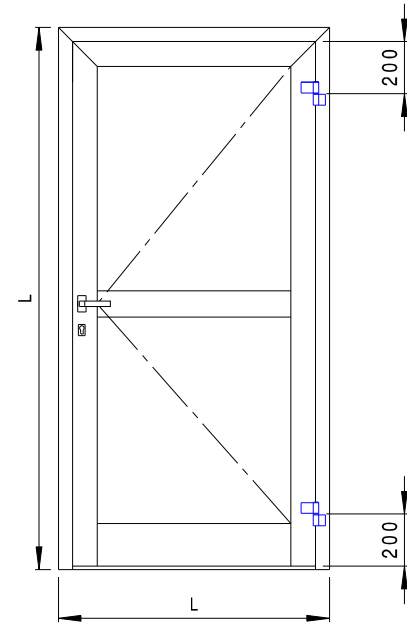
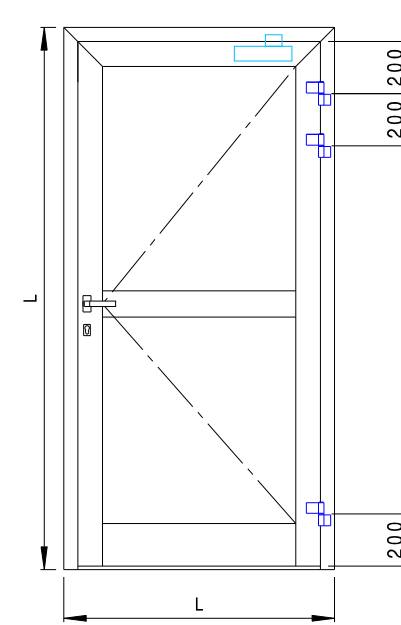


**Residential doors
nr.2 two-leaf hinges**



**Residential doors
nr.3 two-leaf hinges**



Maximum weight of leaf [kg]

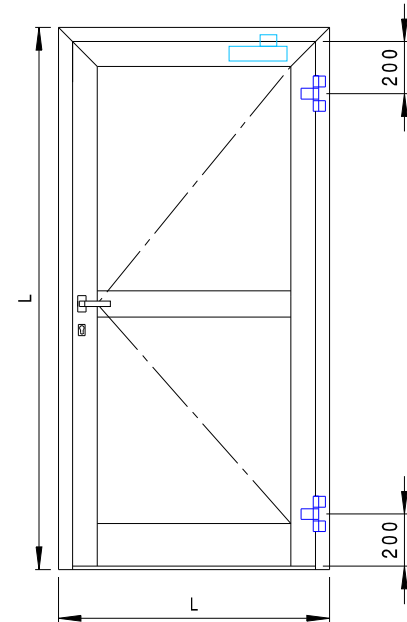
2400	160	160	160	160	160	160	160	143	128
2300	160	160	160	160	160	160	151	134	120
2200	160	160	160	160	160	160	141	126	112
2100	160	160	160	160	160	150	132	117	104
2000	160	160	160	160	160	140	123	108	96
H \ L	600	700	800	900	1000	1100	1200	1300	1400

Maximum weight of leaf [kg]

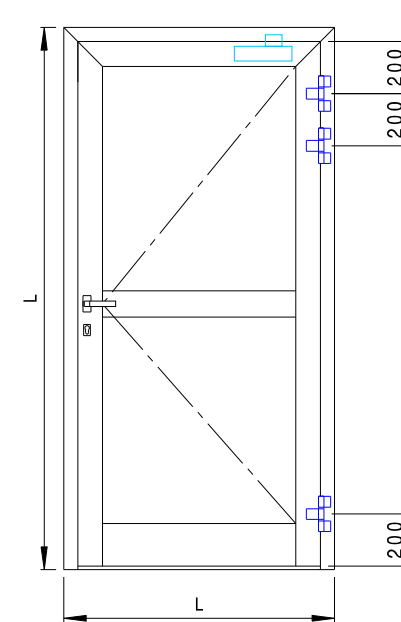
2400	184	184	184	184	184	184	184	164	147
2300	184	184	184	184	184	184	173	154	138
2200	184	184	184	184	184	184	163	144	129
2100	184	184	184	184	184	172	152	134	120
2000	184	184	184	184	184	161	141	125	110
H \ L	600	700	800	900	1000	1100	1200	1300	1400

DATA	DISEGNO N°	FAMIGLIA
03.10.11		----

**Residential doors
nr.2 three-leaf hinges**



**Residential doors
nr.3 three-leaf hinges**



Maximum weight of leaf [kg]

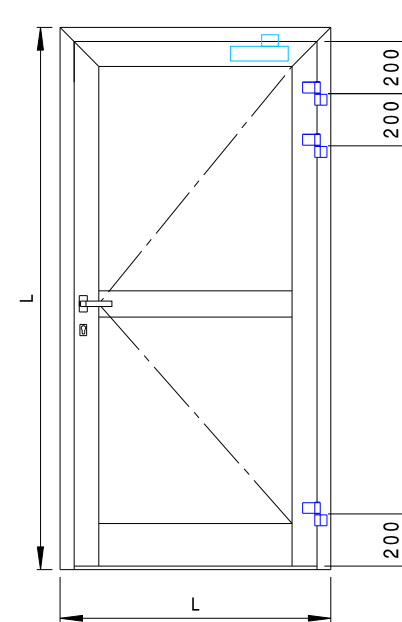
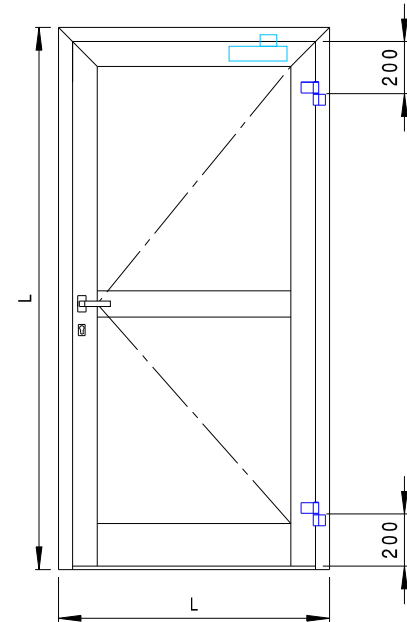
2400	160	160	160	160	160	160	160	148	137
2300	160	160	160	160	160	160	153	142	131
2200	160	160	160	160	160	160	147	135	126
2100	160	160	160	160	160	153	140	129	120
2000	160	160	160	160	160	145	133	123	114
H \ L	600	700	800	900	1000	1100	1200	1300	1400

Maximum weight of leaf [kg]

2400	184	184	184	184	184	184	184	170	158
2300	184	184	184	184	184	184	176	163	151
2200	184	184	184	184	184	184	169	156	145
2100	184	184	184	184	184	176	161	149	138
2000	184	184	184	184	184	167	153	142	131
H \ L	600	700	800	900	1000	1100	1200	1300	1400

**Public buildings with door closer
without brake on opening
nr.2 two-leaf hinges**

**Public buildings with door closer
without brake on opening
nr.3 two-leaf hinges**



Maximum weight of leaf [kg]

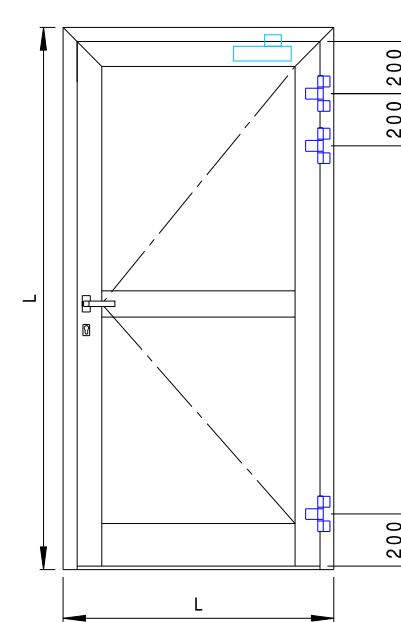
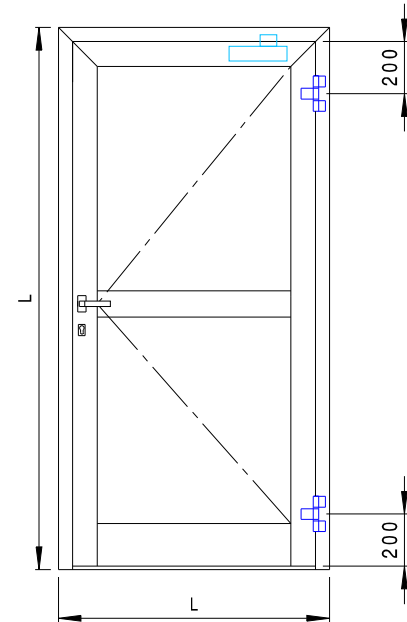
2400	130	130	130	130	130	130	130	116	104
2300	130	130	130	130	130	130	122	109	98
2200	130	130	130	130	130	130	115	102	91
2100	130	130	130	130	130	122	107	95	85
2000	130	130	130	130	130	113	100	88	78
H / L	600	700	800	900	1000	1100	1200	1300	1400

Maximum weight of leaf [kg]

2400	150	150	150	150	150	150	150	133	120
2300	150	150	150	150	150	150	141	125	112
2200	150	150	150	150	150	150	132	117	105
2100	150	150	150	150	150	140	123	109	97
2000	150	150	150	150	150	130	115	101	90
H / L	600	700	800	900	1000	1100	1200	1300	1400

**Public buildings with door closer
without brake on opening
nr.2 three-leaf hinges**

**Public buildings with door closer
without brake on opening
nr.3 three-leaf hinges**



Maximum weight of leaf [kg]

2400	140	140	140	140	140	140	140	129	120
2300	140	140	140	140	140	140	134	124	115
2200	140	140	140	140	140	140	128	118	110
2100	140	140	140	140	140	134	123	113	105
2000	140	140	140	140	140	127	117	108	100
H / L	600	700	800	900	1000	1100	1200	1300	1400

Maximum weight of leaf [kg]

2400	161	161	161	161	161	161	161	149	138
2300	161	161	161	161	161	161	154	142	132
2200	161	161	161	161	161	161	148	136	127
2100	161	161	161	161	161	154	141	130	121
2000	161	161	161	161	161	146	134	124	115
H / L	600	700	800	900	1000	1100	1200	1300	1400