



TOUCH  TO OPEN

FINGERPRINT READERS

R7





WELCOME

At Navkom company, we have been manufacturing biometric access control products since 2006. We constantly develop and adapt our products to our customers' needs while keeping in step with the new technologies and innovations on the market. A good user experience comes first to us, that is why our products are designed to be as easy as possible to use, while ensuring a high level of quality.

Among business partners and users we are known for our flexible business and willingness to listen to the needs of our customers. We are remaining faithful to our guidelines: cooperation, innovation and quality. We invite you to get to know our new line of products.

TADEJ WEBER

CEO



Comfortable use

Fingerprint readers allow easy entrance without accessories.



Security and reliability

We constantly support and educate our customers and business partners in the use of our products.



Custom development

We are a competent and reliable partner in biometric device development.



TOUCH  TO OPEN

TABLE OF CONTENTS

NEW PRODUCT LINE - R7	5
NEW FUNCTIONS	6
BIOHANDLE - HANDLE WITH AN INTEGRATED FINGERPRINT READER	9
MODUL - INTEGRATION-READY FINGERPRINT READER	15
BIOREADER - FINGERPRINT READER	17
TOUCHPAD - CODE KEYPAD	19
BIOPASS - FINGERPRINT READER FOR FLUSH MOUNTING	21
CONTROL UNIT TYPES	22
TYPICAL INSTALLATIONS	24
ACCESSORIES	26



NEW PRODUCT LINE - R7

The new R7 product line combines two technologies - **STAND ALONE** and **WI-FI** in one device. The user can choose between operating the fingerprint reader with the keys on the control unit and operating via a smartphone application. The user can also change the control mode as desired.

CAPACITIVE FINGERPRINT SENSOR WITH 3D FUNCTION

We install a flat capacitive sensor in our products for easy entry of fingerprints by placing your finger on the sensor. The sensor uses an ID3 algorithm for biometric data processing, which is certified in the USA by the NIST National Institute and is **MINEX 3** certified.

Due to the high quality our readers enable safe and easy use.

ANALOG CONTROL



 FINGERPRINT CAPACITY: 166 × 3


 NUMBER OF ADMINISTRATORS: 3

 BLUE BACKLIGHT ON/OFF

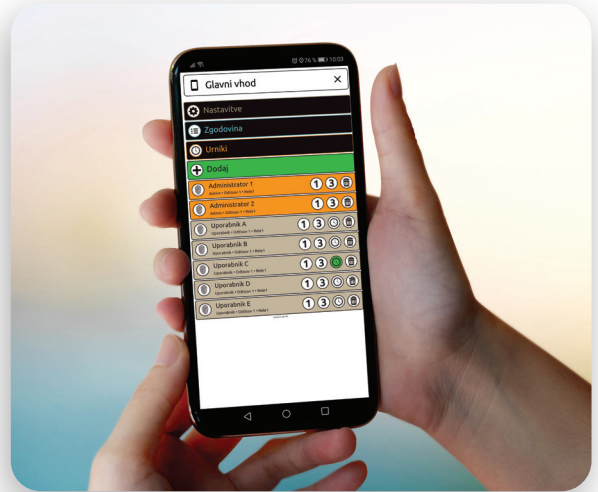
 SECURITY LOCKDOWN

The R7 product line also has a hybrid control option, which allows analog control users to partially use the application for:

 LED CONTROL

 UNLOCKING THE DOOR VIA
SMARTPHONE APP (within local reach)

APP CONTROL



 FINGERPRINT CAPACITY: 166 × 3

 NUMBER OF ADMINISTRATORS: unlimited

 BLUE BACKLIGHT ON/OFF

 SCANNER SECURITY LOCKDOWN

 LED CONTROL


 HISTORY OF EVENTS

 RELAY SETUP

 ENTRANCE SCHEDULES FOR USERS

 FREE PASS MODE

 DEVICE BACKUP & TRANSFER

 UNLOCKING THE DOOR VIA
SMARTPHONE APP (within local reach)

NEW FUNCTIONS

1 THREE FINGERPRINT ENTRIES FOR BETTER RECOGNITION

Each finger must be placed on the sensor 3 × before the fingerprint is saved. This ensures **better reading quality**.

2 HYBRID CONTROL

Hybrid management allows the user to operate the device analog, and the application is used only for:

- LED door lighting control,
- unlocking the door via the app.

3 TEST FUNCTION

The test function is intended for door manufacturers for the purpose of testing devices in production.

After each factory reset, the device is in the test function for 1 minute (during this time the LED on the sensor flashes green). During this time the door can be unlocked by any fingerprint / code without connecting to the app.

The test function can be interrupted by the start of adding fingerprints / codes or disconnecting from the power supply.

After the end of test period, the device remains at the factory settings and is ready for first use.

4 ANALOG CONTROL ON THE READER

Fingerprints can be entered directly via the reader. Thus, it is not necessary to purchase an additional remote control for analog control with the DIN or BBX control unit.



5 ACTIVATION OF BOTH RELAYS IN THE APP

* Not possible with BBX mini control unit.

6 NEW LED FUNCTIONS

- The **"AUTO"** FUNCTION enables LED lightning to automatic switch on at sunset and switchoff at sunrise (depending on the location of the phone).
- The **"CUSTOM"** FUNCTION has 2 INTERVALS per day (eg morning and evening) that can be set manually by the user.

7 ADDING A REMOTE CONTROL IN THE APP

By clicking on the "system" tab, you can see a list of all paired devices and also add (pair) new remote controls.



8 SIMPLE CONNECTION WITH ADDITIONAL PHONE

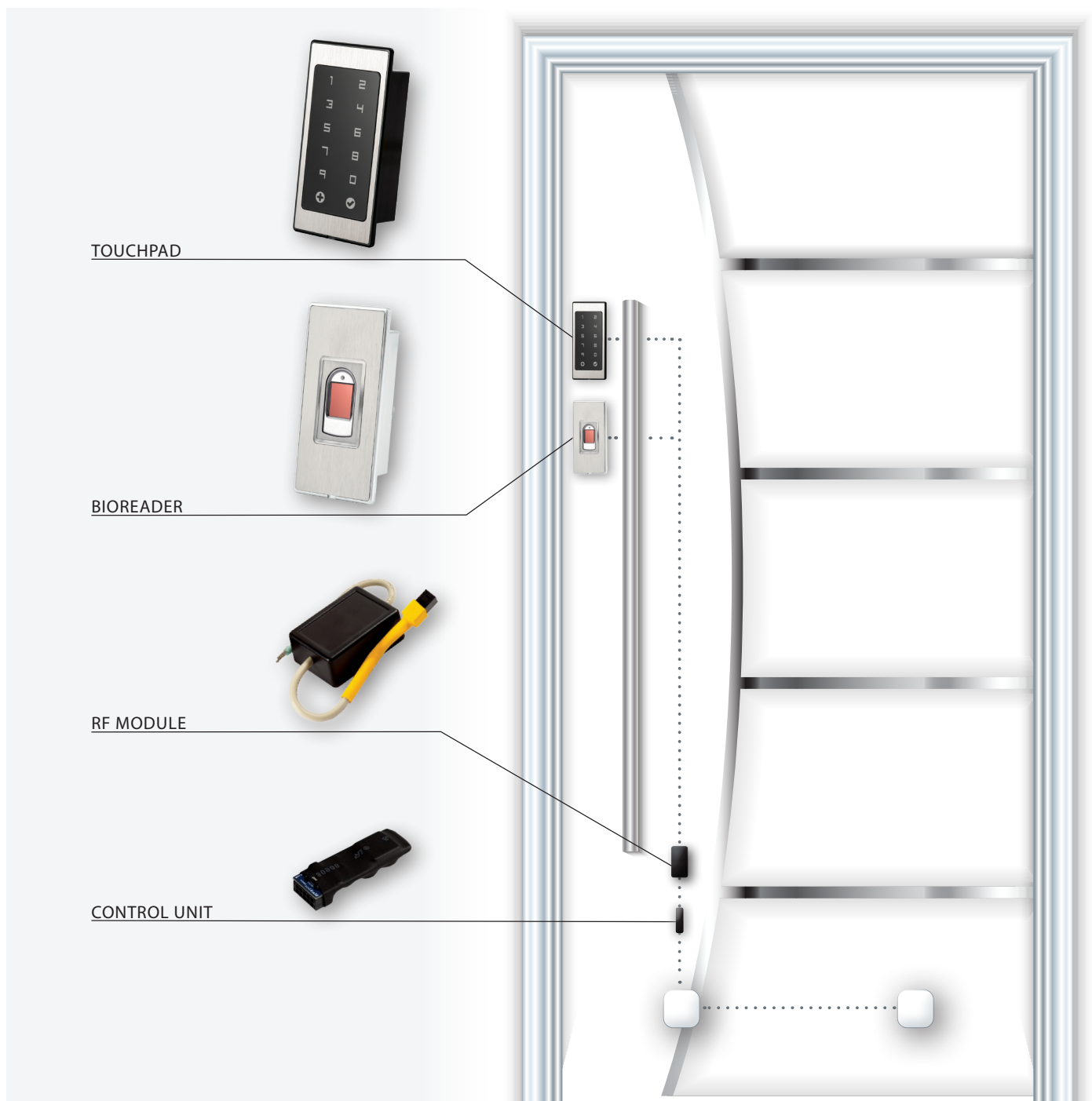
The device can be connected to an additional phone by scanning the QR code on a phone that already has a connection to the device.

9 SECURITY FUNCTION

If the user does not enter fingerprints within 8 minutes after connecting the reader, the reader is automatically deactivated to prevent unauthorized use. It is reactivated by disconnecting and reconnecting it to the power supply.

10 POSSIBILITY OF COMBINING DEVICES

In addition to the reader, several other devices (eg keyboard and RF module) can be connected to one control unit and can also be added later.





Biohandle

Stainless steel handle with an integrated fingerprint reader. Available in many shapes and sizes. Control unit is mounted inside the door frame and is available for aluminium/PVC or wooden doors. The fingerprint reader can be integrated in the front or in the back side of the handle.

The user can choose between two control modes:



ANALOG CONTROL



FINGERPRINT CAPACITY:
166 × 3



ADMINISTRATORS: 3



RELAY OUTPUTS: 1 or 2



APP CONTROL



FINGERPRINT CAPACITY:
166 × 3



ADMINISTRATORS: unlimited



RELAY OUTPUTS: 1 or 2

SQUARE

QE-90, QM-90/45

The square handle measuring 30 × 30 mm allows attachments with 90 or 45 degree holders. The holders can be at the end of the handle (QE) or shifted (QM). The fingerprint reader can be installed on the front or back of the handle.



RECTANGULAR

TM-90/45

The rectangular handle measuring 40 × 20 mm allows attachments with 90 or 45 degree holders. The fingerprint reader can be installed on the front or back of the handle.



ROUND

R-90/45

The round handle with a diameter of 34 mm allows attachments with 90 or 45 degree holders. The fingerprint reader can be installed on the front or back of the handle.

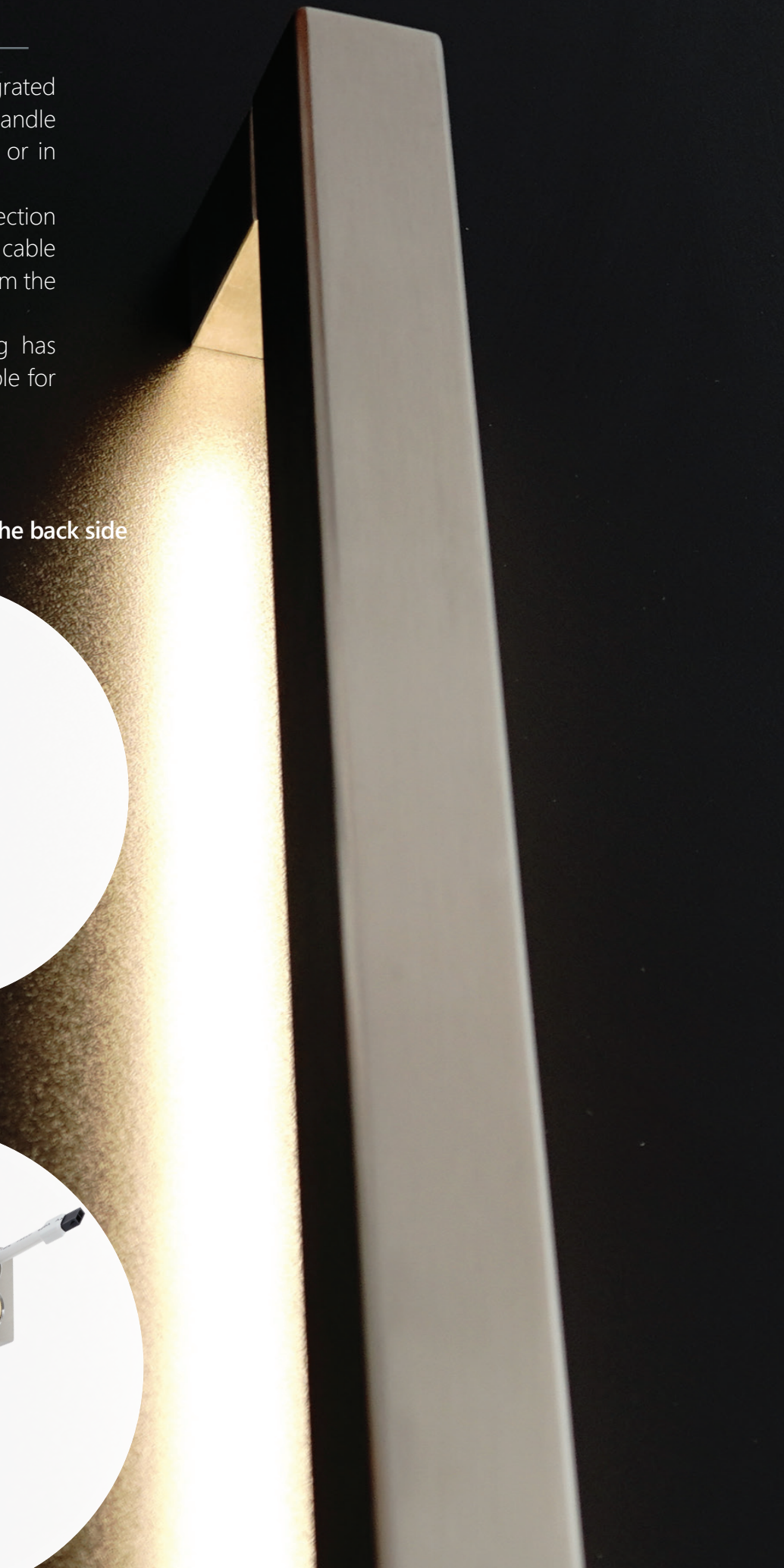
LED

LED lighting can be integrated into the TM, QM and QE handle with the reader in the front or in the back side of the handle.


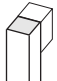



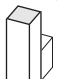
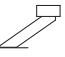


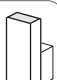
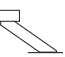
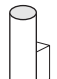
The cable exit for reader connection is from the holder above, cable exit for LED connection is from the holder below.

Biohandle with LED lighting has IP65 protection and is suitable for outdoor installation.

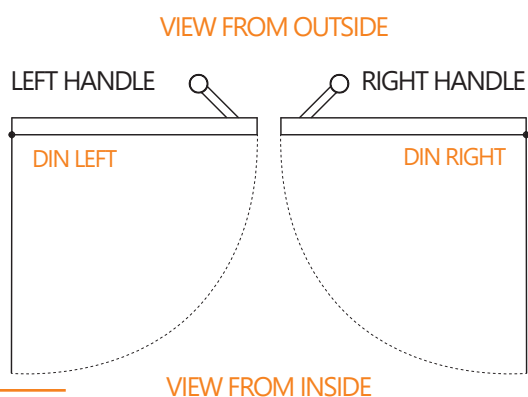
Version with the reader in the back side



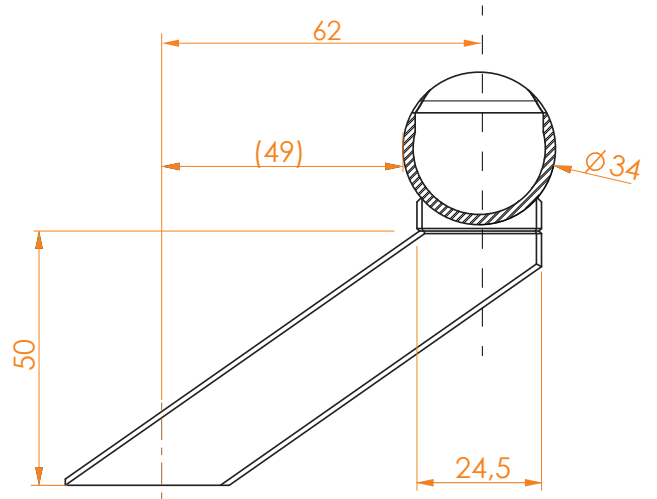
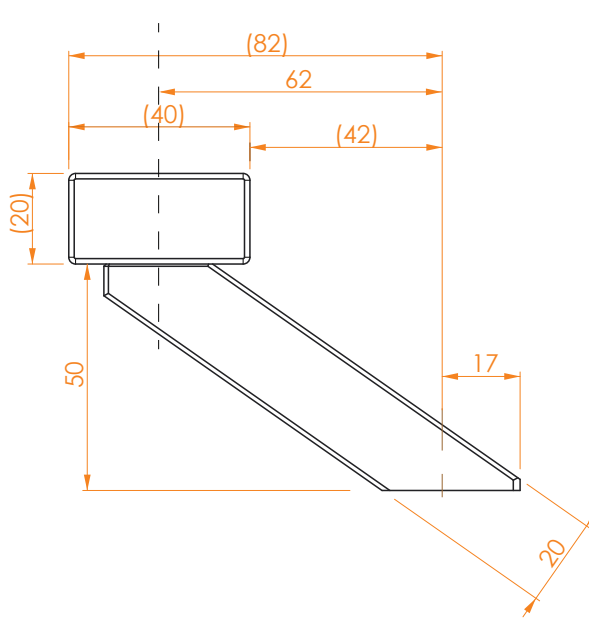
1. Technology 2. Design 3. Attachment 4. Reader 5. Length 6. Color 7. LED

R7 	QE  30 × 30, end holders	90  Attachment 90°	F - MX  Front, upper cable exit	0600 L=600 mm P=400 mm X=200 mm	INOX ● Brushed, satin MATT	 12V lower cable exit
	QM  30 × 30, shifted holders	45 - R  DIN RIGHT (not for QE)	B - MX  Back, upper cable exit	0800 L=800 mm P=600 mm X=200 mm	BLACK ● RAL-9005-FS Black, fine structure (not for R)	 24V lower cable exit
	TM  40 × 20, shifted holders	45 - L  DIN LEFT (not for QE)		1000 L=1000 mm P=800 mm X=240 mm		
	R  Ø 34, shifted holders			1500 L=1500 mm P=1100 mm X=440 mm		
				1800 L=1800 mm P=1400 mm X=540 mm		
				2100 L=2100 mm P=1700 mm X=740 mm	INFO As standard, all handles are made of A2 stainless steel and have a satin matte surface. For maximum corrosion resistance (when using the handle near the shore and roads), we recommend the use of A4 stainless steel and polishing or painting.	
				2400 L=2400 mm P=2000 mm X=1040 mm		

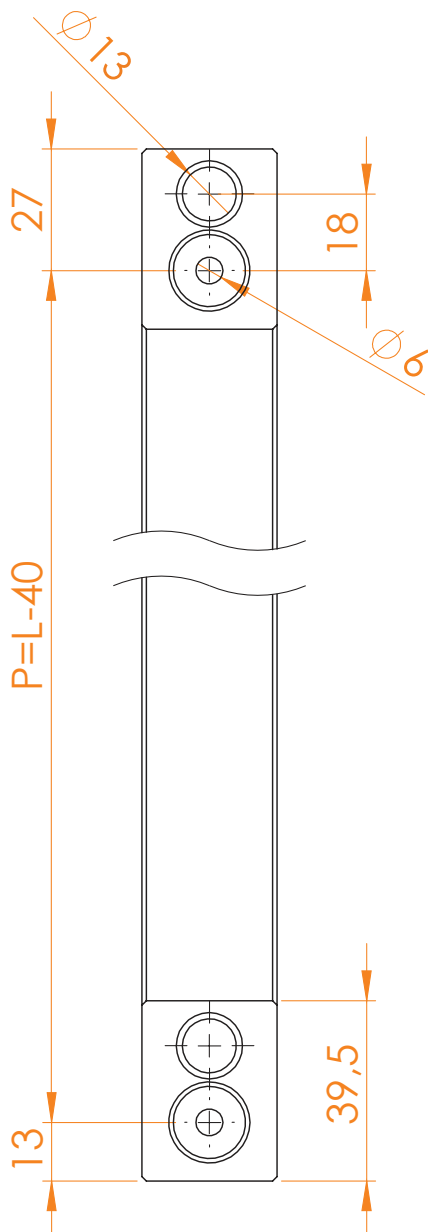
DOOR ROTATION



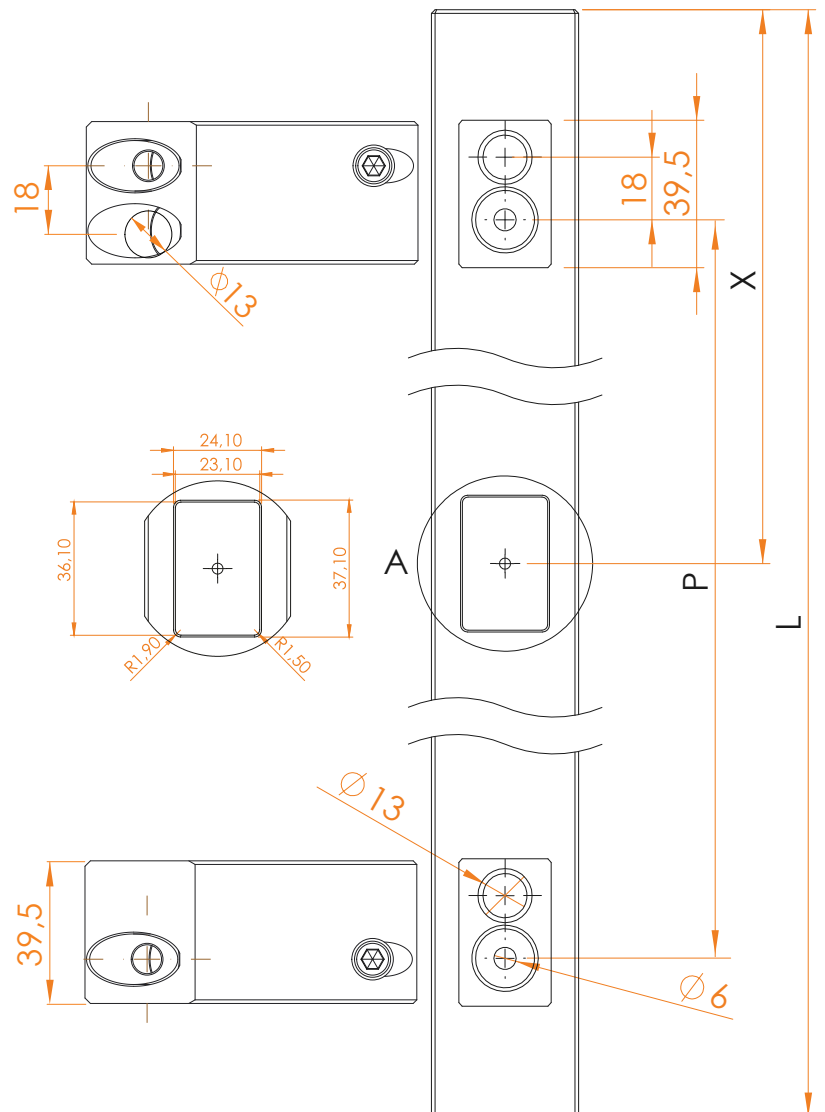
ATTACHMENT 45°



QE



QM, TM, R





The small size reader is intended for door handle manufacturers, but due to its convenient size and plug & play design, it can be easily installed anywhere (switches, intercoms, POS systems, machines...) With the appropriate choice of control unit, another additional device can be operated (garage door, alarm...).

The user can choose between two control modes:



ANALOG CONTROL



FINGERPRINT CAPACITY:
166 x 3



ADMINISTRATORS: 3



RELAY OUTPUTS: 1 or 2



APP CONTROL



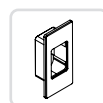
FINGERPRINT CAPACITY:
166 x 3



ADMINISTRATORS: unlimited



RELAY OUTPUTS: 1 or 2



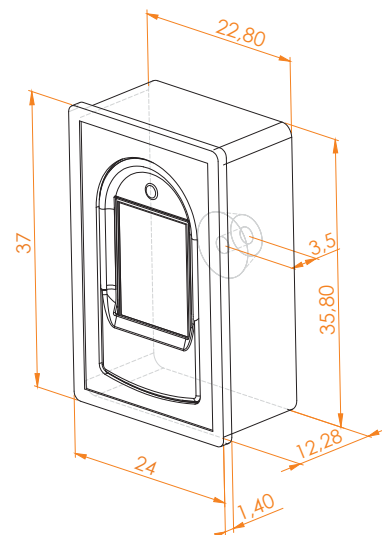
Modul with a frame is installed with double-sided adhesive tape (included)

R7-MX-100

Modul, stainless steel finish

R7-MX-110

Modul, black

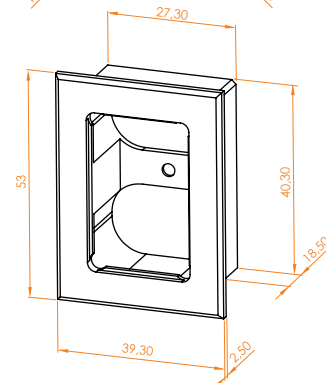
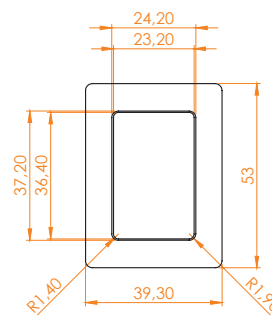


R7-MX-200

Modul with a stainless steel frame, 39,3 x 53 mm

R7-MX-210

Modul with an aluminium frame, 39,3 x 53 mm, black

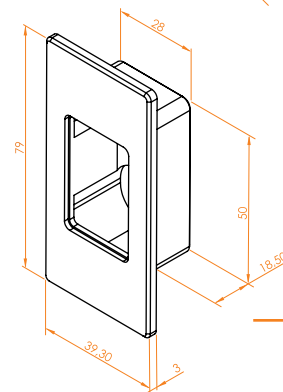
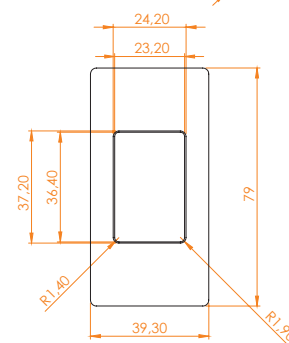


R7-MX-300

Modul with a stainless steel frame, 39,3 x 79 mm

R7-MX-310

Modul with an aluminium frame, 39,3 x 79 mm, black finish





A powerful, small fingerprint reader can be mounted in the door leaf, next to the door or flush mounted on the wall. With the appropriate choice of control unit, another additional device can be operated (garage door, alarm...). The control unit can be mounted inside the door leaf or on the DIN rail in a fuse box.

The user can choose between two control modes:



 **FINGERPRINT CAPACITY:**
166 × 3

 **ADMINISTRATORS:** 3

 **RELAY OUTPUTS:** 1 or 2



 **FINGERPRINT CAPACITY:**
166 × 3

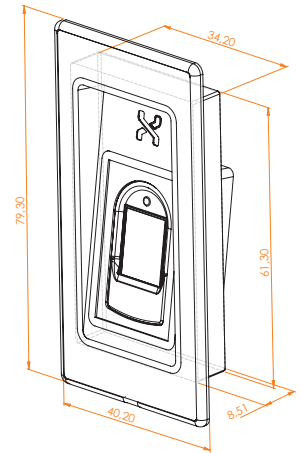
 **ADMINISTRATORS:** unlimited

 **RELAY OUTPUTS:** 1 or 2



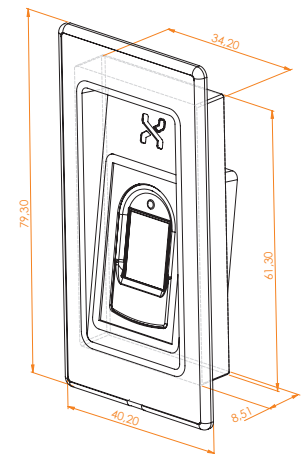
R7-BR-4

Inclined



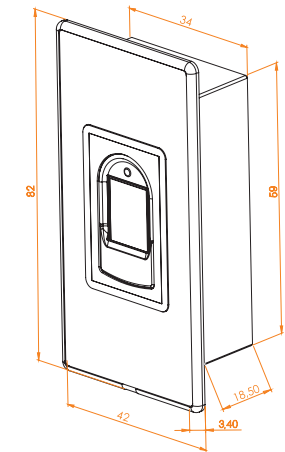
R7-BR-4-S

Inclined, stainless steel finish



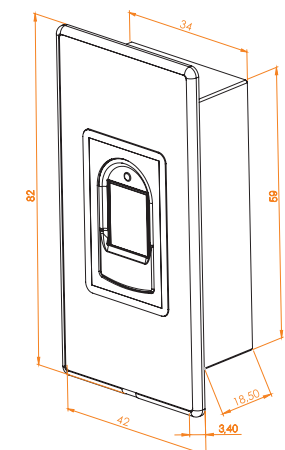
R7-BR-B

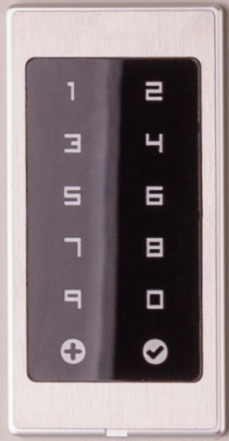
Black



R7-BR-S

Stainless steel finish





Touchpad

A code keypad is primarily intended for mounting in the door leaf. It is a logical choice for those who want an alternative to a fingerprint reader. With the appropriate choice of control unit, another additional device can be operated (garage door, alarm...).

R7-TP-S

Stainless steel finish



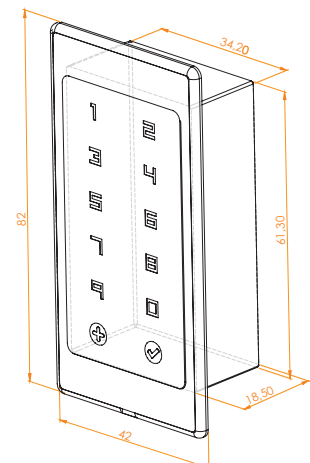
R7-TP-SB

Stainless steel/black finish



R7-TP-B

Black finish



ANALOG CONTROL



MEMORY: 100 codes



ADMIN CODES: 1



RELAY OUTPUTS: 1 or 2

The user can also partially use the application for:



LED CONTROL



UNLOCKING THE DOOR VIA
SMARTPHONE APP
(within local reach)



Installation with
screwing



Biopass fingerprint reader is designed for flush mounting. It comes in a package which also contains the DIN control unit and power supply.

R7-BP-PW

Polar white



R7-BP-ES

Elox silver



R7-BP-SB

Soft touch black



R7-BP-IW

Ivory white



The user can choose between two control modes:



ANALOG CONTROL



FINGERPRINT CAPACITY:
166 × 3



ADMINISTRATORS: 3



RELAY OUTPUTS: 2



APP CONTROL



FINGERPRINT CAPACITY:
166 × 3



ADMINISTRATORS: unlimited



RELAY OUTPUTS: 2

R7-BP-AT

Anthracite



PACKAGE CONTENTS

READY FOR INSTALLATION IN ROUND ELECTRICAL BOX Ø 60 mm



FINGERPRINT READER



CONTROL UNIT



POWER SUPPLY

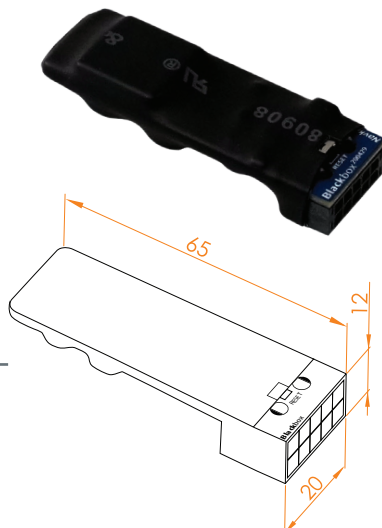
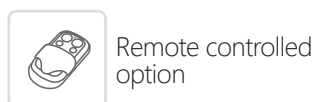
CONTROL UNITS

Our systems consist of two units: a fingerprint reader or a keypad, installed outside, and a control unit with relay outputs by which the outdoor unit is programmed. We offer three types of control units, which can be installed inside the door leaf or mounted on the DIN rail in the electrical box.



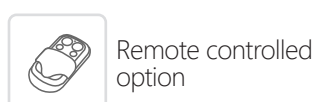
R7-CU-303

DIN control unit with Wi-Fi communication



R7-CU-BBX

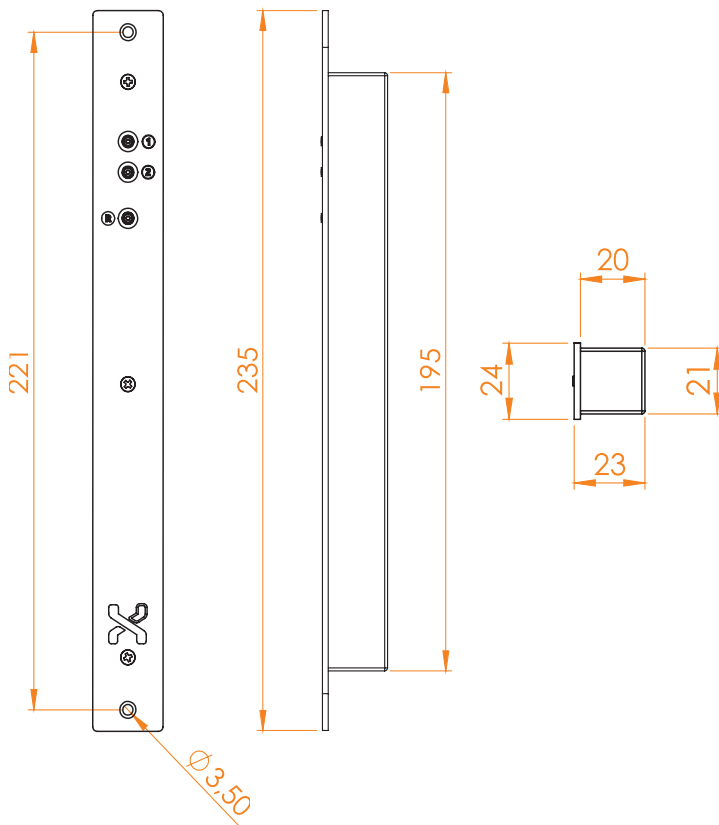
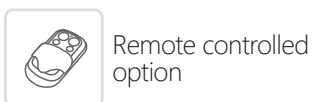
Mini control unit - with 1 relay output



R7-CU-201/2

Control unit for aluminium and PVC doors

Used in combination with other cable transfers.

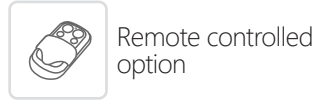




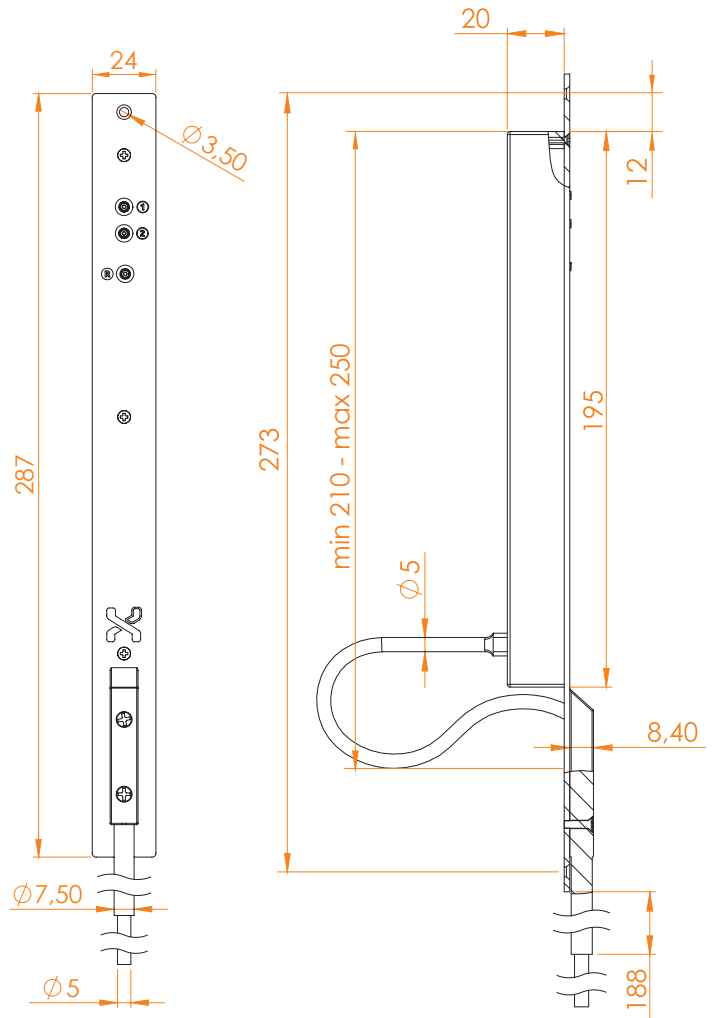
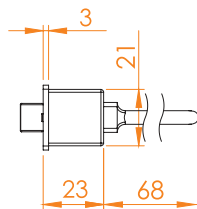
R7-CU-202/2

Control unit for aluminium and PVC doors

Cable transfer included.



or



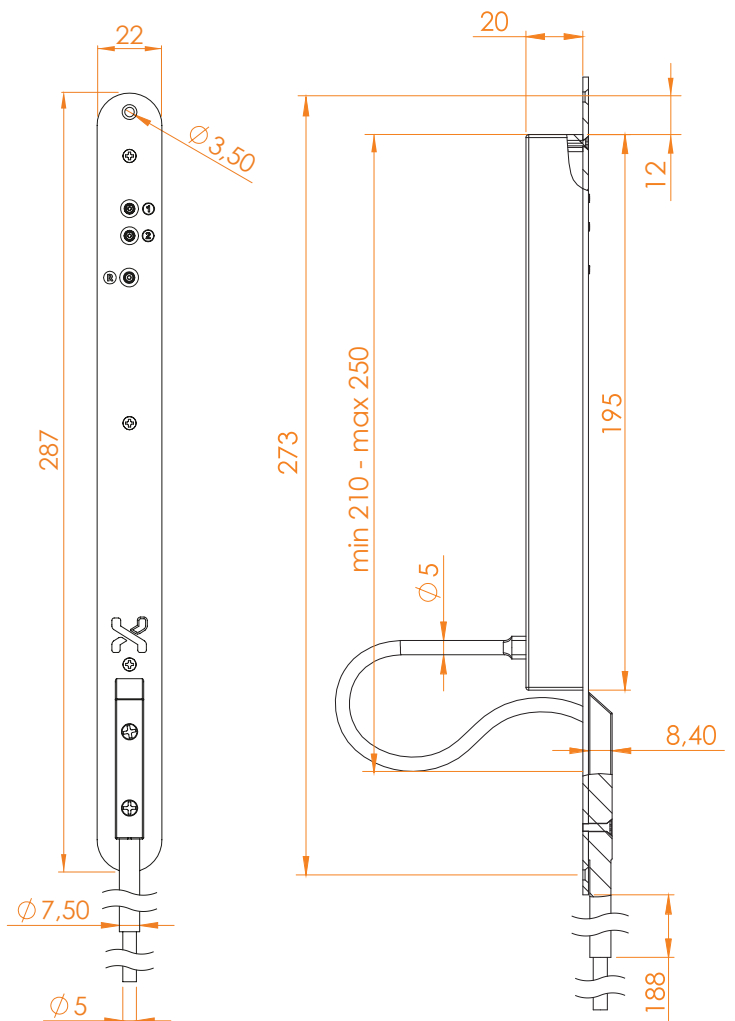
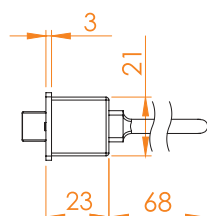
R7-CU-103/2

Control unit for wooden doors

Cable transfer included.

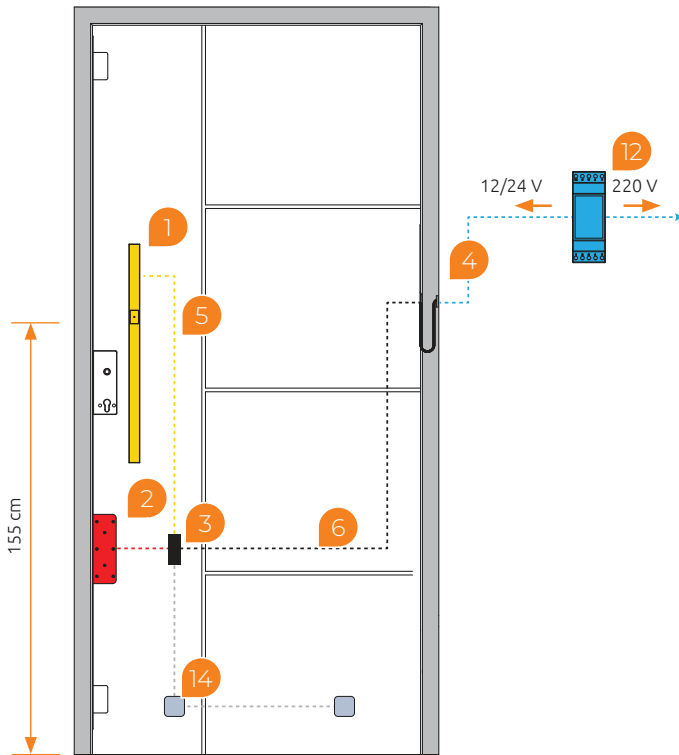


or

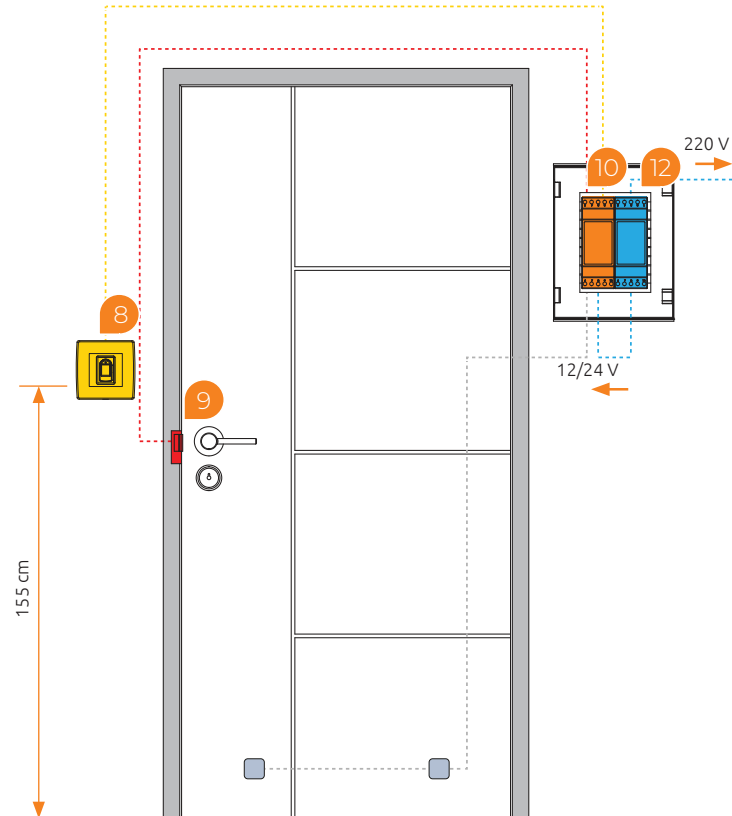


TYPICAL INSTALLATIONS

INSTALLATION IN THE DOOR LEAF



INSTALLATION OUTSIDE THE DOOR



BIOHANDLE/MODUL/BIOREADER/TOUCHPAD

+

R7-CU-BBX

or

R7-CU-202/2 (ALU/PVC)

R7-CU-103/2 (WOOD)

R7-CU-104/2 (WOOD WITH WINKHAUS CABLE TRANSFER)

- cable set BBX
- cable transfer CT-L-4-6
- cover plate CT-L-16-S-CP or CT-L-16-R-CP
- mounting modul CT-L-16-ALV
- power supply
- red cable C-R
- yellow cable C-Y
- power supply

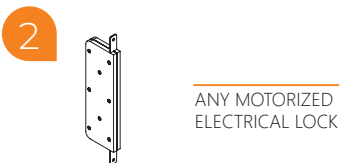
BIOPASS

- control unit
- power supply

ORDERING SETS



R7-QE
A HANDLE WITH A FINGERPRINT READER



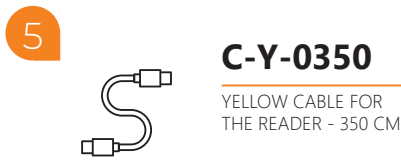
ANY MOTORIZED ELECTRICAL LOCK



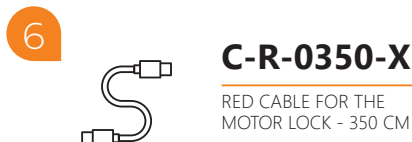
R7-CU-BBX
MINI CONTROL UNIT BBX



R7-CU-202/2
CONTROL UNIT FOR ALU/PVC DOORS, CABLE TRANSFER INCLUDED



C-Y-0350
YELLOW CABLE FOR THE READER - 350 CM



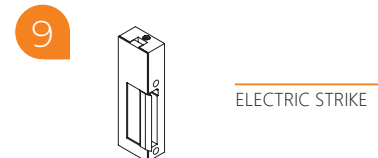
C-R-0350-X
RED CABLE FOR THE MOTOR LOCK - 350 CM



CT-L set
CABLE TRANSFER WITH MOUNTING MODULE AND COVER PLATE

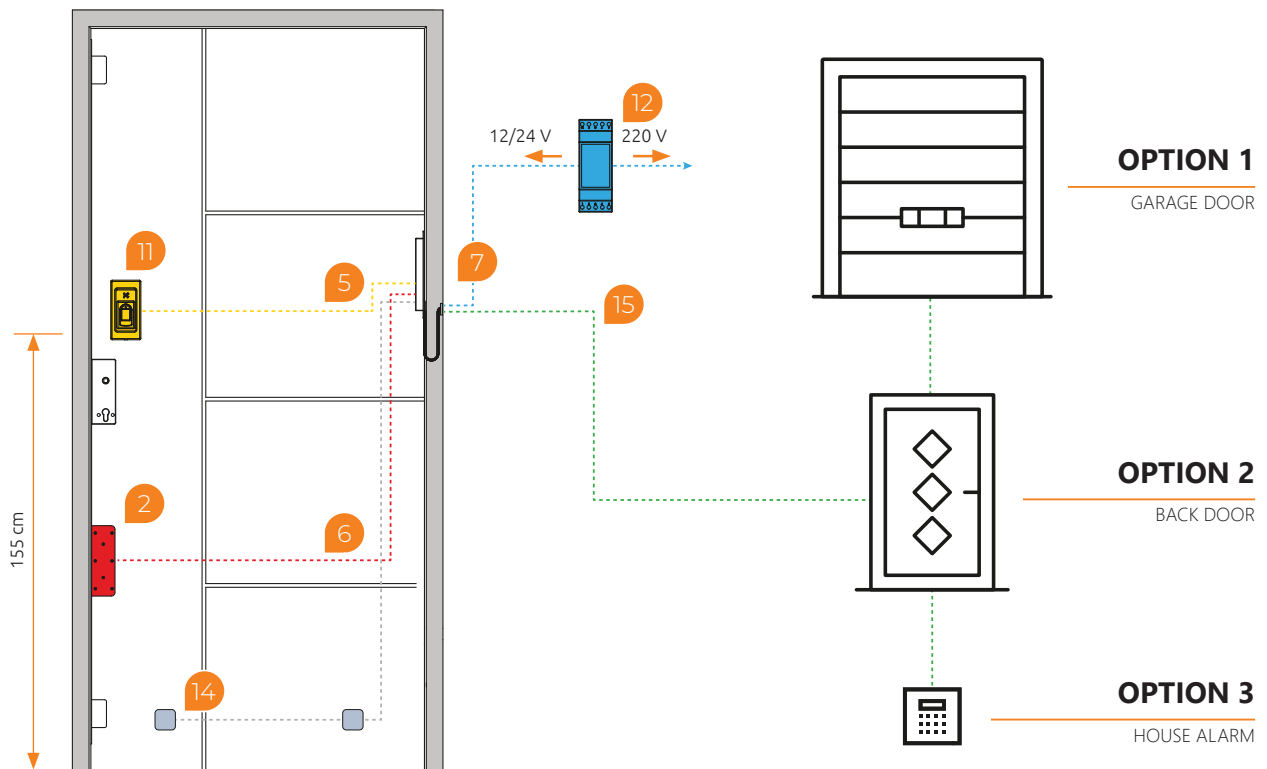


R7-BP-PW
BIOPASS FINGERPRINT READER



ELECTRIC STRIKE

INSTALLATION IN THE DOOR LEAF WITH THE USE OF RELAY 2



BIOHANDLE/MODUL/BIOREADER/TOUCHPAD

+

R7-CU-202/2 R7-CU-103/2 R7-CU-104/2

(ALU/PVC)

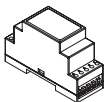
(WOOD)

(WOOD WITH
WINKHAUS CABLE
TRANSFER)

- red cable C-R
- yellow cable C-Y
- power supply

ORDERING SETS

10



R7-CU-303

CONTROL UNIT DIN
WITH RF MODULE AND A
REMOTE CONTROL FOR
PROGRAMMING

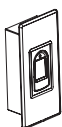
13



R7-RF-101

RF MODULE FOR REMOTE
CONTROL

11



R7-BR-S

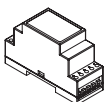
BIOREADER FINGERPRINT
READER

14



LED LIGHTING

12



HDR-30-12

12 V DIN POWER SUPPLY


15





RELAY 2 OUTPUT
(Non-isolated, C/NO)

ACCESSORIES

■ RED CABLE FOR MOTOR LOCK

ID	C-R-0350-X	C-R-0350-G	C-R-0350-K	C-R-0350-M
Name	Red cable for a motor lock without a designated connector - 350 cm	Red cable for motor lock G-U - 350 cm	Red cable for motor lock KFV - 350 cm	Red cable for motor lock MACO - 350 cm
				
ID	C-R-0350-W	C-R-0350-F	C-R-0350-R	C-R-9100
Name	Red cable for motor lock WINKHAUS - 350 cm	Red cable for motor lock FUHR - 350 cm	Red cable for motor lock ROTO - 350 cm	Extension for the red cable - 100 cm
				

■ YELLOW CABLE FOR THE READER

ID	C-Y-0350	C-Y-9100	C-Y-9500	C-Y-Y10
Name	Yellow cable for the reader - 350 cm	Extension for the yellow cable - 100 cm	Extension for the yellow cable - 500 cm	Yellow Y cable, Y=10 cm + 2 × 10 cm installation at the reader/ keypad
				

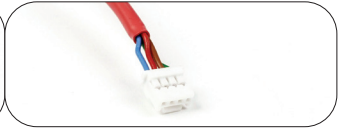
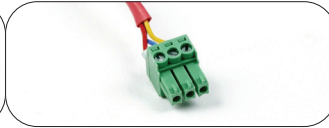
□ WHITE CABLE FOR LED

ID	C-W-0050/2	C-W-0150/2	C-W-0350/2	C-W-Y10-CU/2
Name	White cable for LED - 50 cm	White cable for LED - 150 cm	White cable for LED - 350 cm	White cable for LED, Y=10 cm + 2 × 10 cm installation at the control unit
				

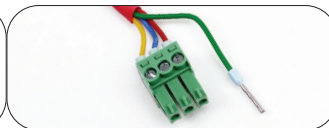
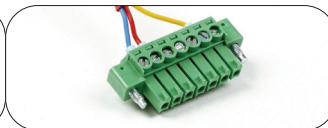
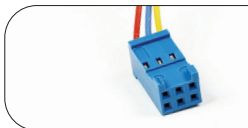


■ BBX CABLE SET

ID	C-BBX-0120-X C-BBX-0350-X	C-BBX-0120-G C-BBX-0350-G	C-BBX-0120-K C-BBX-0350-K	C-BBX-0120-M C-BBX-0350-M
Name	BBX cable set for motor lock without a designated connector	BBX cable set for motor lock G-U	BBX cable set for motor lock KFV	BBX cable set for motor lock MACO



ID	C-BBX-0120-W C-BBX-0350-W	C-BBX-0120-F C-BBX-0350-F	C-BBX-0120-R C-BBX-0350-R
Name	BBX cable set for motor lock WINKHAUS	BBX cable set for motor lock FUHR	BBX cable set for motor lock ROTO



ID	C-BBX-0120-W-STV-Set-Y	C-BBX-0350-BM	C-BBX-0120-R-SH
Name	BBX cable set for motor lock with WINKHAUS STV cable transfer	BBX cable set for motor lock WINKHAUS BLUE MOTION	BBX cable set for motor lock ROTO-SH



■ CABLE LENGTHS IN CABLE SETS BBX

LENGTH		C-BBX-0120--	C-BBX-0350--	C-BBX-0120-R-SH C-BBX-0120-W-STV-Set-Y	C-BBX-0350-BM
		Yellow cable	120 cm	350 cm	120 cm
Red cable	30 cm	300 cm	30 cm	50 cm	
White cable	30 cm	30 cm	30 cm	30 cm	
Power supply	20 cm	20 cm	×	×	

■ MODULE + REMOTE CONTROL

R7-RF-101

RC-REMOTE-101

ID

RF module for remote control door opening
(Two remote controls included)

Remote control

Name



■ WALL BRACKETS

BRK-SS-INC-30

BRK-ALU-BR/TP-S

BRK-ALU-BR/TP-B

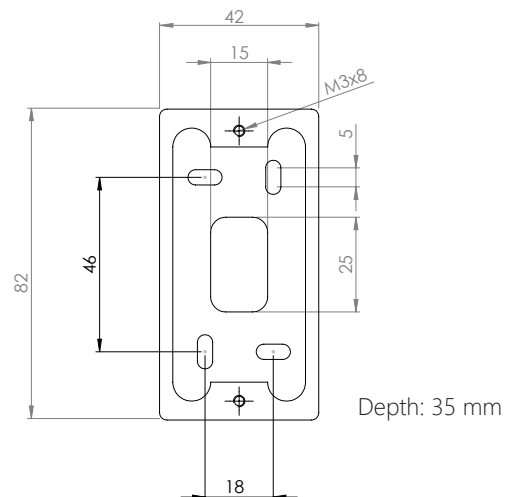
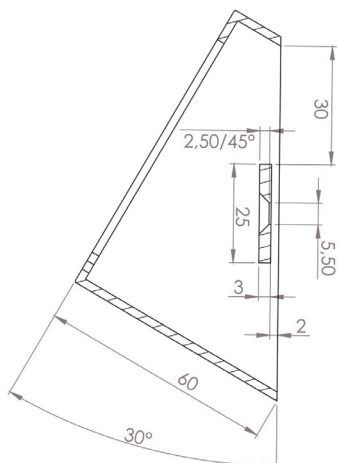
ID

Stainless steel 30° holder
For MX-300, BR-4, BR-4-S

ALU Wall bracket - Silver
For R7-BR/TP, R6-BR/TP-2021

ALU Wall bracket - Black
For R7-BR/TP, R6-BR/TP-2021

Name



■ CABLE TRANSFER SET

CT-L-4-6-SET

ID

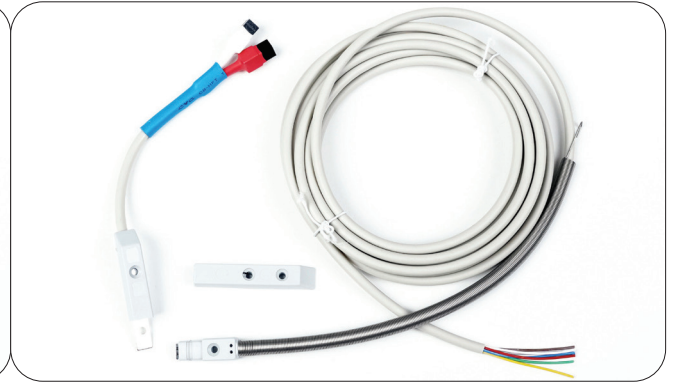
Cable transfer set 4+6 m, without connectors

Name



CT-L-67-SET/2

Cable transfer set with connectors for C-R and C-W

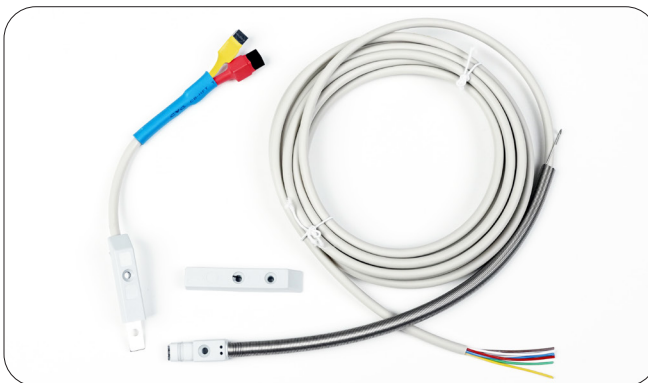


CT-L-68-SET

ID

Cable transfer set with connectors for C-R and C-Y

Name



■ CABLE SET ACCESSORIES

CT-L-16-R-CP

ID

Stainless steel cover plate - rounded

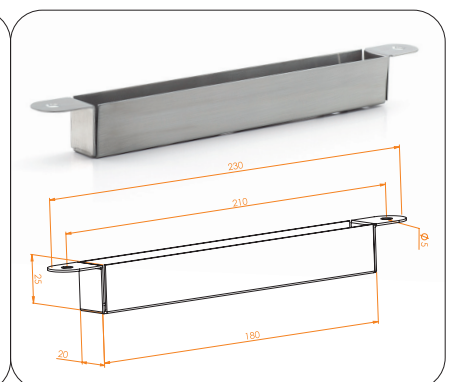
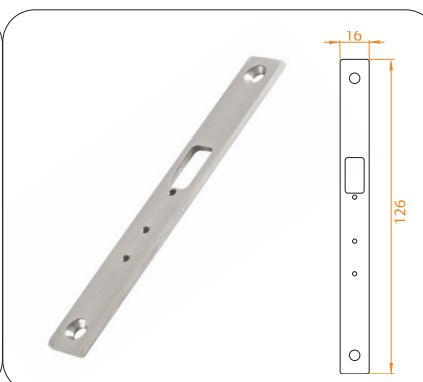
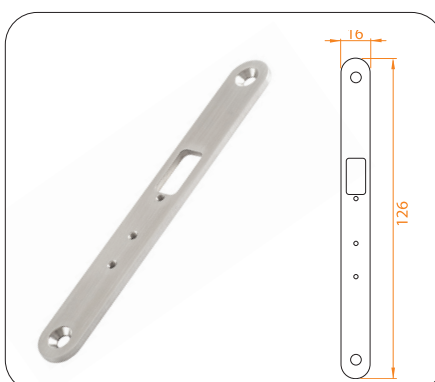
CT-L-16-S-CP

Stainless steel cover plate - square



CT-L-16-ALV


Mounting module for cable transfer

Name

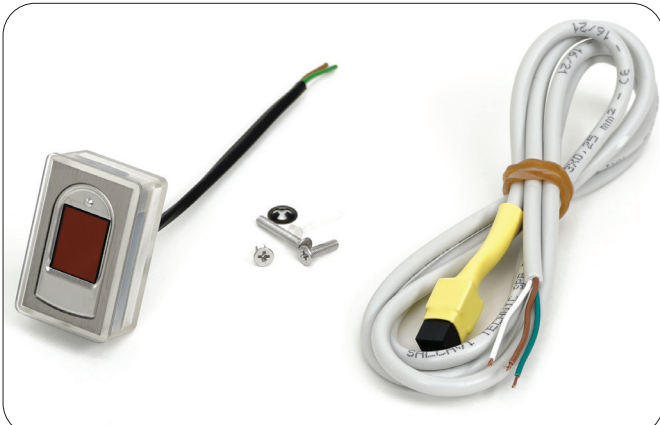
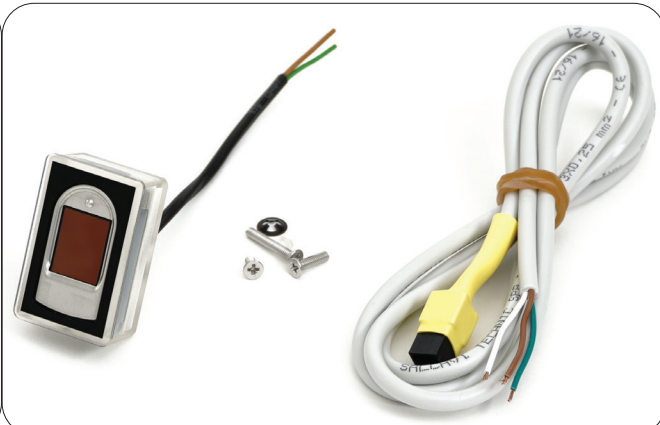


■ DIN POWER SUPPLY

ID	HDR-30-12	HDR-30-24	HDR-60-12	HDR-60-24
Name	Mean well power supply 12V	Mean well power supply 24V	Mean well power supply 12V	Mean well power supply 24V
	30W - 2,0A - 2DIN	30W - 1,5A - 2DIN	60W - 4,5A - 3DIN	60W - 2,5A - 3DIN
				

ID	S-14850
Name	Power supply cable 220V
	2× 0,75mm, L=0,5m
	

■ R7 MODUL HANDLE INSTALLATION SET

ID	R7-BM-130	R7-BM-135
Name	Modul X-R7-STAINLESS STEEL FINISH	Modul X-R7-BLACK
		

The contents of the catalogue are for information only. Navkom d.o.o. does not guarantee the correctness of data and is not liable for any printing errors.



Navkom d.o.o. | Cesta v Log 19 | 1351 Brezovica | Slovenia
T: 059 941 409 E: info@navkom.si W: www.navkom.si