



TOUCH  TO OPEN



# FINGERPRINT READERS

# R7



EASY TO USE



WI-FI CONNECTION



SAFE AND CONVENIENT





# WELCOME

At Navkom company, we have been manufacturing biometric access control products since 2006. We constantly develop and adapt our products to our customers' needs while keeping in step with the new technologies and innovations on the market. A good user experience comes first to us, that is why our products are designed to be as easy as possible to use, while ensuring a high level of quality.

Among business partners and users we are known for our flexible business and willingness to listen to the needs of our customers. We are remaining faithful to our guidelines: cooperation, innovation and quality. We invite you to get to know our new line of products.

*TADEJ WEBER*  
CEO



### Comfortable use

Fingerprint readers allow easy entrance without accessories.



### Security and reliability

We constantly support and educate our customers and business partners in the use of our products.



### Custom development

We are a competent and reliable partner in biometric device development.



TOUCH  TO OPEN

# TABLE OF CONTENTS

NEW PRODUCT LINE - R7 .....	5
BIOHANDLE - <b>HANDLE WITH AN INTEGRATED FINGERPRINT READER</b> .....	6
MODUL - <b>INTEGRATION-READY FINGERPRINT READER</b> .....	10
BIOREADER - <b>FINGERPRINT READER</b> .....	12
TOUCHPAD - <b>CODE KEYPAD</b> .....	14
BIOPASS - <b>FINGERPRINT READER FOR FLUSH MOUNTING</b> .....	16
CONTROL UNIT TYPES .....	18
TYPICAL INSTALLATIONS .....	20
ACCESSORIES .....	22





# NEW PRODUCT LINE - R7

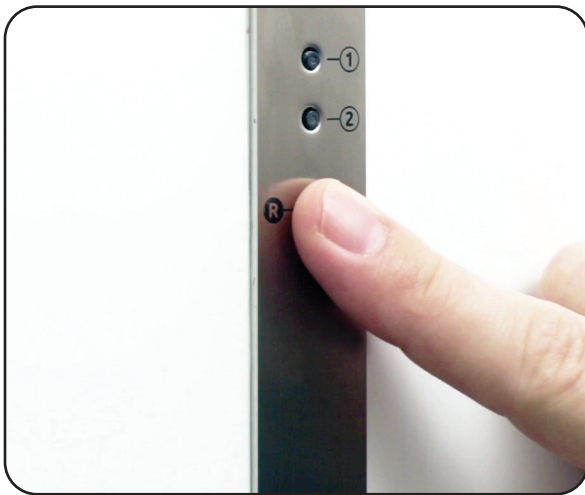
The new R7 product line combines two technologies - **STAND ALONE** and **WI-FI** in one device. The user can choose between operating the fingerprint reader with the keys on the control unit and operating via a smartphone application. The user can also change the control mode as desired.





## CAPACITIVE FINGERPRINT SENSOR WITH 3D FUNCTION

We install a flat capacitive sensor in our products for easy entry of fingerprints by placing your finger on the sensor. The sensor uses an ID3 algorithm for biometric data processing, which is certified in the USA by the NIST National Institute and is **MINEX 3** certified.



Due to the high quality our readers enable safe and easy use.

### ANALOG CONTROL

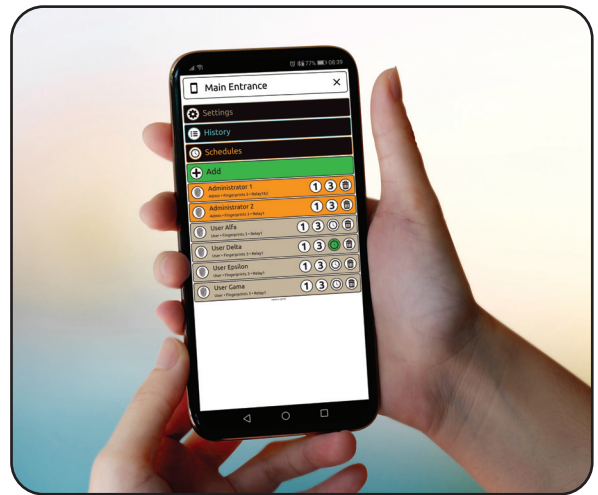













-  FINGERPRINT CAPACITY: 166
-  NUMBER OF ADMINISTRATORS: 3
-  BLUE BACKLIGHT ON/OFF
-  SECURITY LOCKDOWN

The R7 product line also has a hybrid control option, which allows analog control users to partially use the application for:

-  LED CONTROL
-  UNLOCKING THE DOOR VIA SMARTPHONE APP (within local reach)

### APP CONTROL



-  FINGERPRINT CAPACITY: 166
-  NUMBER OF ADMINISTRATORS: unlimited
-  BLUE BACKLIGHT ON/OFF
-  SCANNER SECURITY LOCKDOWN
-  LED CONTROL
-  HISTORY OF EVENTS
-  RELAY SETUP
-  ENTRANCE SCHEDULES FOR USERS
-  FREE PASS MODE
-  DEVICE BACKUP & TRANSFER
-  UNLOCKING THE DOOR VIA SMARTPHONE APP (within local reach)







Stainless steel handle with an integrated fingerprint reader. Available in many shapes and sizes. Control unit is mounted inside the door frame and is available for aluminium/PVC or wooden doors. The fingerprint reader can be integrated in the front or in the back side of the handle.

The user can choose between two control modes:



ANALOG CONTROL



APP CONTROL



FINGERPRINT CAPACITY: 166



FINGERPRINT CAPACITY: 166



ADMINISTRATORS: 3



ADMINISTRATORS: unlimited



RELAY OUTPUTS: 1 or 2

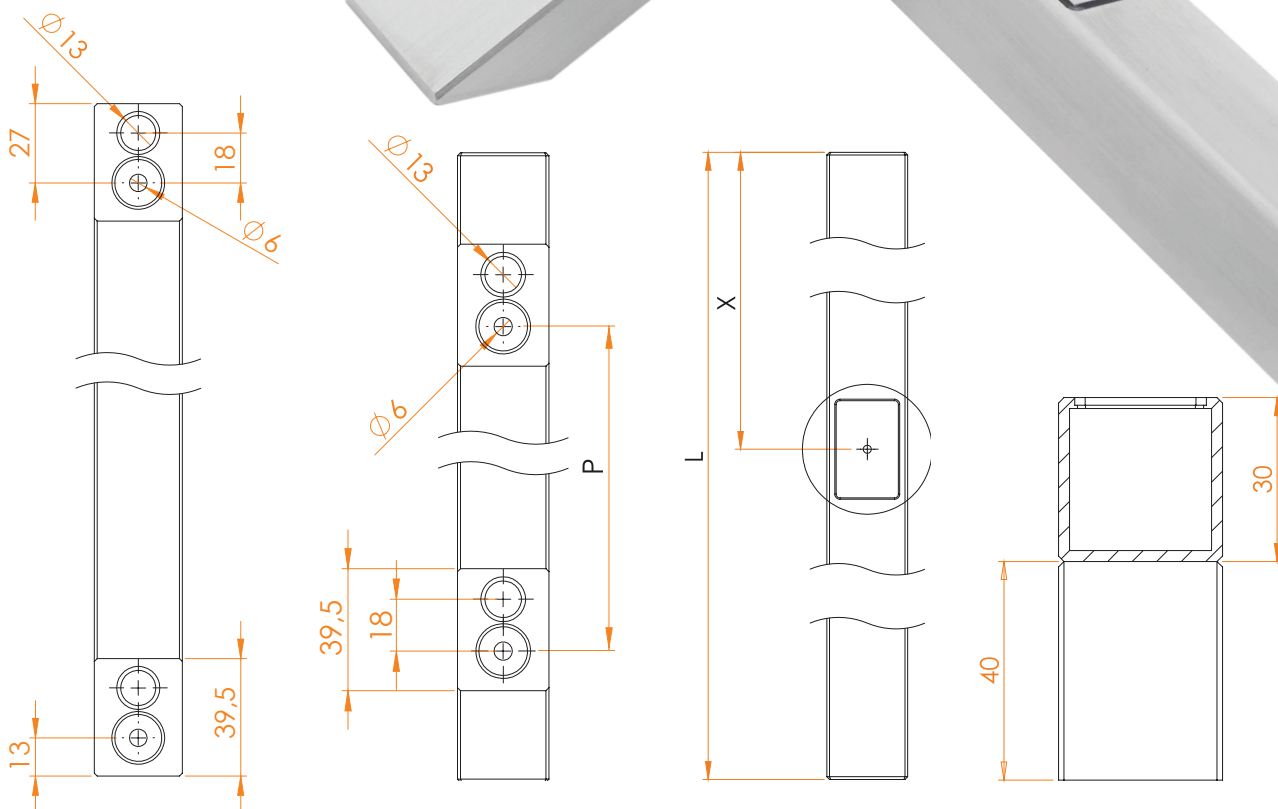
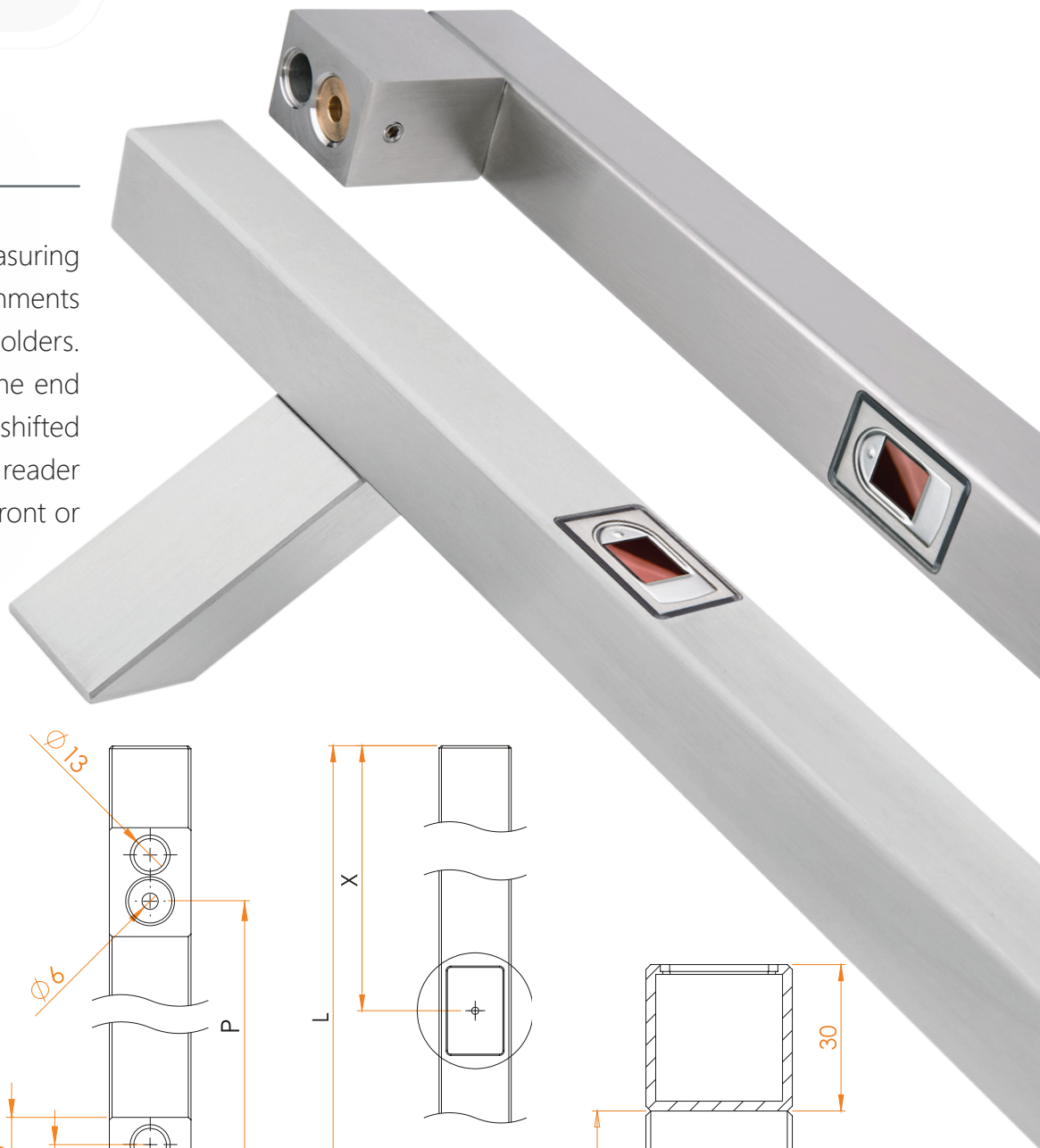


RELAY OUTPUTS: 1 or 2

## SQUARE

### QE-90, QM-90/45

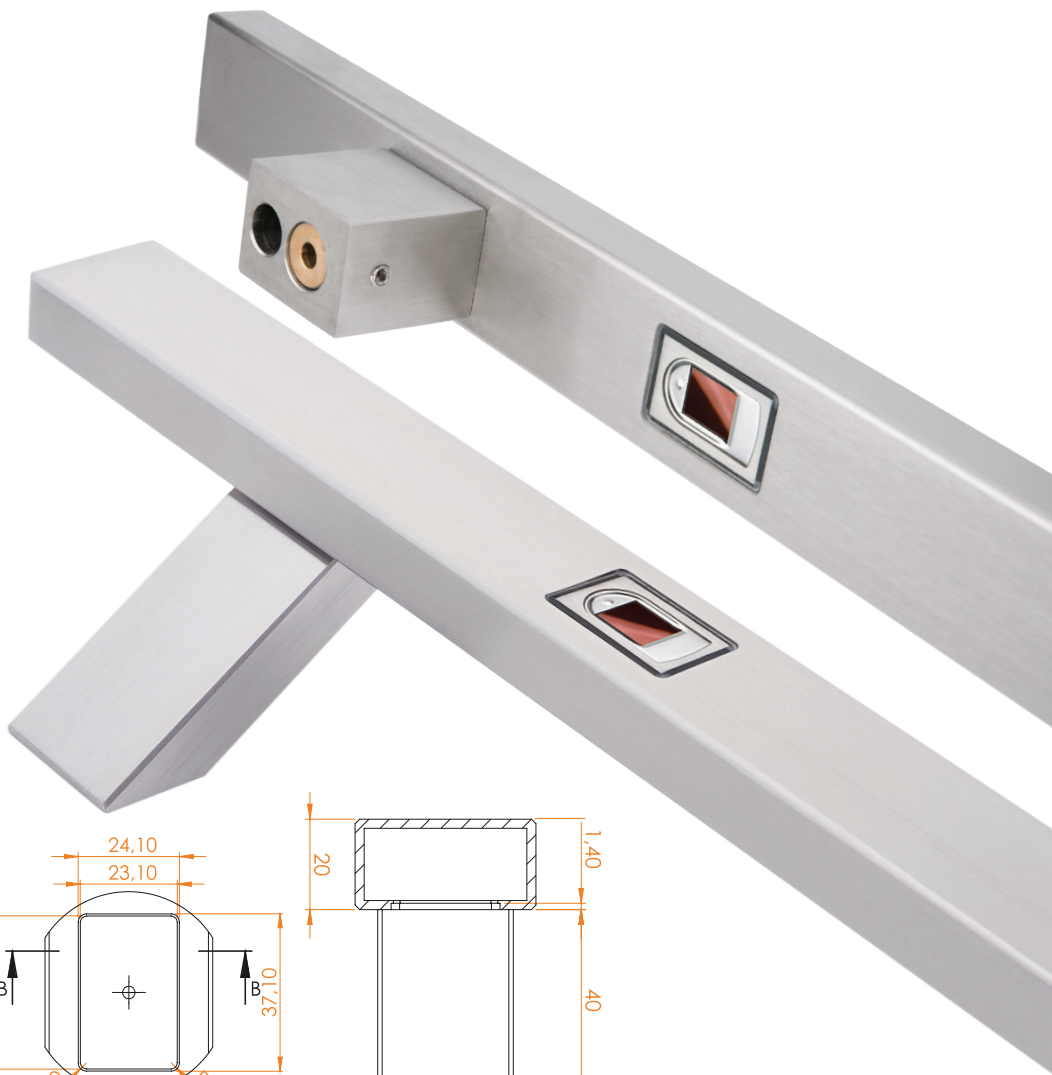
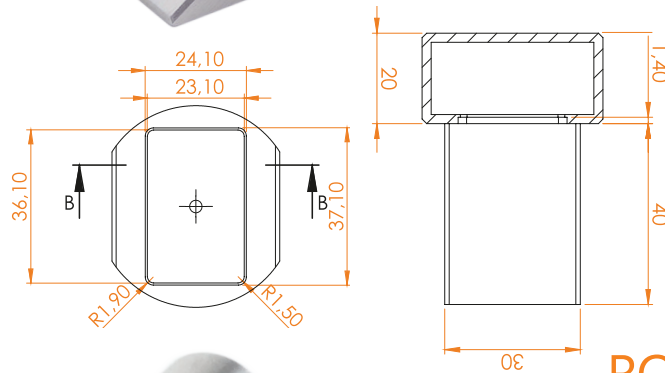
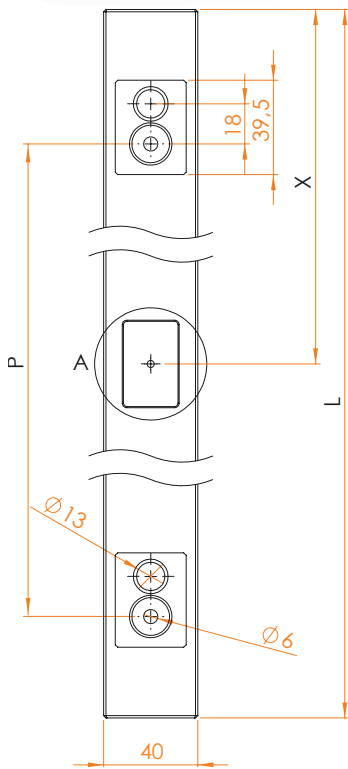
The square handle measuring 30 × 30 mm allows attachments with 90 or 45 degree holders. The holders can be at the end of the handle (QE) or shifted (QM). The fingerprint reader can be installed on the front or back of the handle.



# RECTANGULAR

## TM-90/45

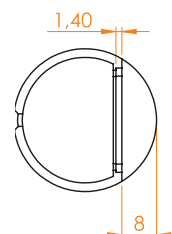
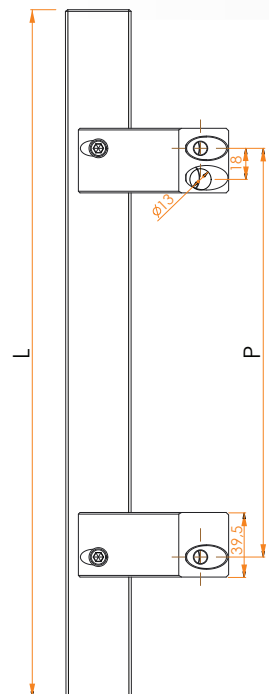
The rectangular handle measuring 40 × 20 mm allows attachments with 90 or 45 degree holders. The fingerprint reader can be installed on the front or back of the handle.



# ROUND

## R-90/45

The round handle with a diameter of 30 mm allows attachments with 90 or 45 degree holders. The fingerprint reader can be installed on the front or back of the handle.





## 1. Technology

**R7**

## 2. Design

**QE**

30 × 30, end holders

**QM**

30 × 30, shifted holders

**TM**

40 × 20, shifted holders

**R**

Ø 30, shifted holders

## 3. Attachment

**90**

Attachment 90°

**45 - R**

DIN RIGHT (not for QE)

**45 - L**

DIN LEFT (not for QE)

## 4. Reader

**F - MX**

Front, upper cable exit

**B - MX**

Back, upper cable exit

## 5. Length

**0600**

L=600 mm  
P=400 mm  
X=200 mm

**0800**

L=800 mm  
P=600 mm  
X=200 mm

**1000**

L=1000 mm  
P=800 mm  
X=240 mm

**1500**

L=1500 mm  
P=1100 mm  
X=440 mm

**1800**

L=1800 mm  
P=1400 mm  
X=540 mm

**2100**

L=2100 mm  
P=1700 mm  
X=740 mm

**2400**

L=2400 mm  
P=2000 mm  
X=1040 mm

## 6. Color

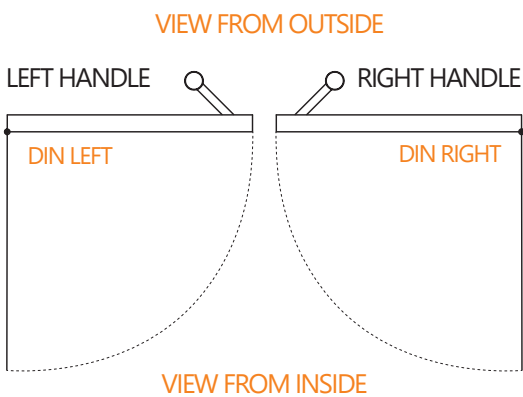
**INOX**

Brushed, satin MATT

**BLACK**

RAL-9005-FS  
Black, fine structure

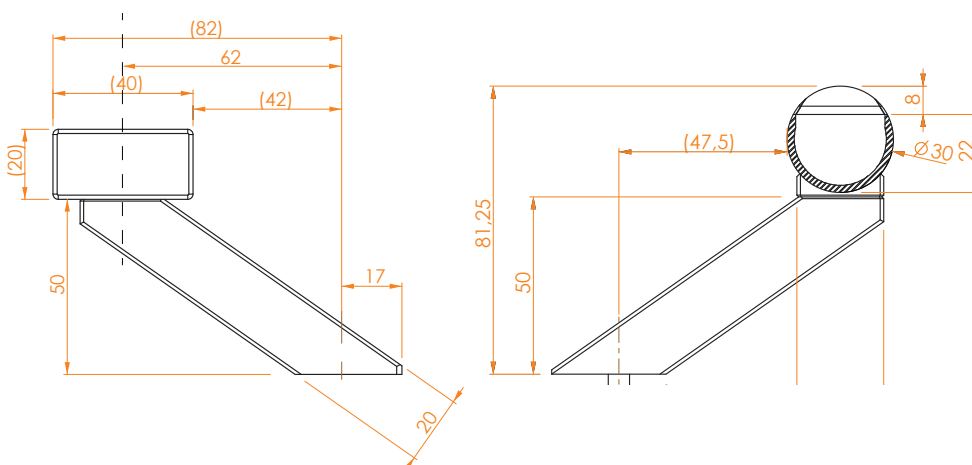
## DOOR ROTATION



**INFO**

As standard, all handles are made of A2 stainless steel and have a satin matte surface. For maximum corrosion resistance (when using the handle near the shore and roads), we recommend the use of A4 stainless steel and polishing or painting.

## ATTACHMENT 45°







# Modul

The small size reader is intended for door handle manufacturers, but due to its convenient size and plug & play design, it can be easily installed anywhere (switches, intercoms, POS systems, machines...) With the appropriate choice of control unit, another additional device can be operated (garage door, alarm...).

The user can choose between two control modes:



## ANALOG CONTROL



FINGERPRINT CAPACITY: 166



ADMINISTRATORS: 3



RELAY OUTPUTS: 1 or 2



## APP CONTROL



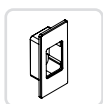
FINGERPRINT CAPACITY: 166



ADMINISTRATORS: unlimited



RELAY OUTPUTS: 1 or 2



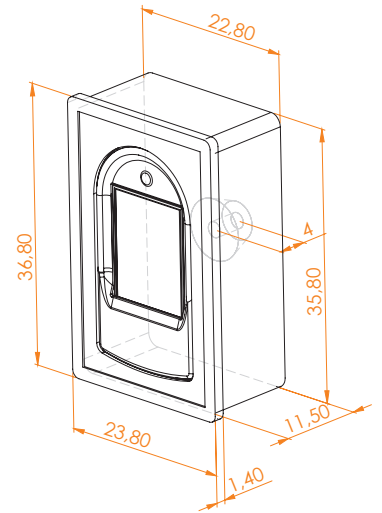
Modul with a frame is installed with double-sided adhesive tape (included)

### R7-MX-100

Modul, stainless steel finish

### R7-MX-110

Modul, black

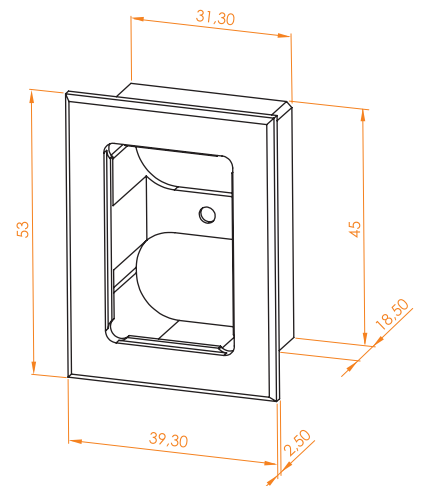


### R7-MX-200

Modul with a stainless steel frame, 39,3 x 53 mm

### R7-MX-210

Modul with an aluminium frame, 39,3 x 53 mm, black

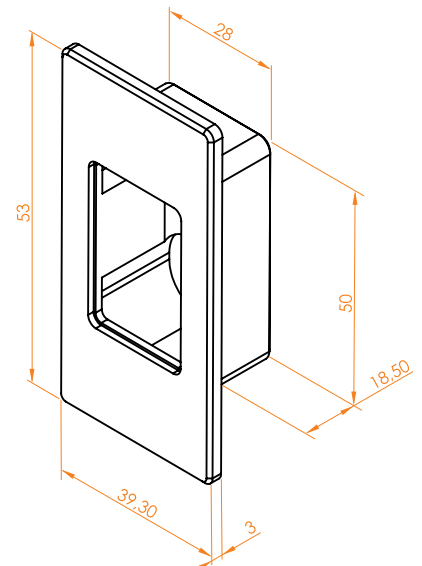


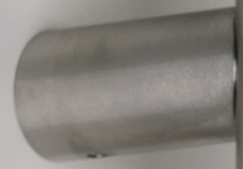
### R7-MX-300

Modul with a stainless steel frame, 39,3 x 79 mm

### R7-MX-310

Modul with an aluminium frame, 39,3 x 79 mm, black finish







# Bioreader

A powerful, small fingerprint reader can be mounted in the door leaf, next to the door or flush mounted on the wall. With the appropriate choice of control unit, another additional device can be operated (garage door, alarm...). The control unit can be mounted inside the door leaf or on the DIN rail in a fuse box.

The user can choose between two control modes:



**ANALOG CONTROL**



**FINGERPRINT CAPACITY: 166**



**ADMINISTRATORS: 3**



**RELAY OUTPUTS: 1 or 2**



**APP CONTROL**



**FINGERPRINT CAPACITY: 166**



**ADMINISTRATORS: unlimited**



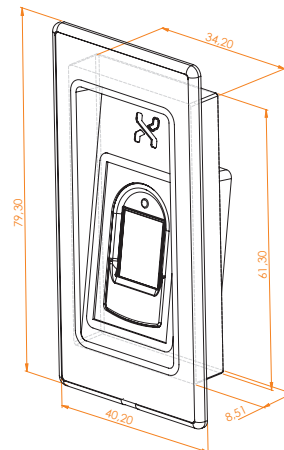
**RELAY OUTPUTS: 1 or 2**



**Installation with screwing**

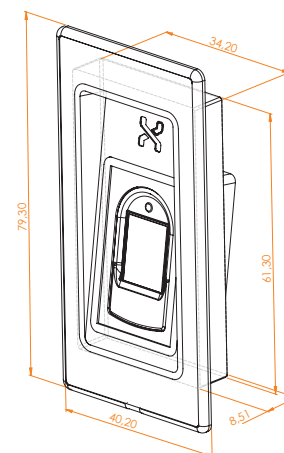
## **R7-BR-4**

Inclined



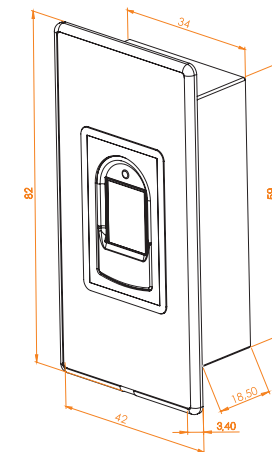
## **R7-BR-4-S**

Inclined, stainless steel finish



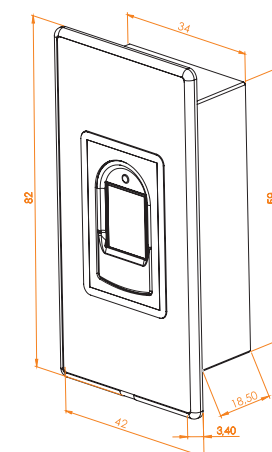
## **R7-BR-B**

Black

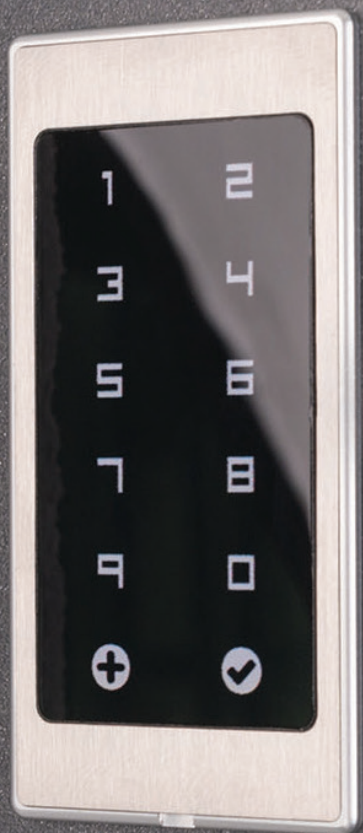


## **R7-BR-S**

Stainless steel finish









# Touchpad

A code keypad is primarily intended for mounting in the door leaf. It is a logical choice for those who want an alternative to a fingerprint reader. With the appropriate choice of control unit, another additional device can be operated (garage door, alarm...).



## ANALOG CONTROL



MEMORY: 100 codes



ADMIN CODES: 1



RELAY OUTPUTS: 1 or 2

The user can also partially use the application for:



LED CONTROL



UNLOCKING THE DOOR VIA  
SMARTPHONE APP  
(within local reach)



Installation with  
screwing

## R7-TP-S

Stainless steel finish



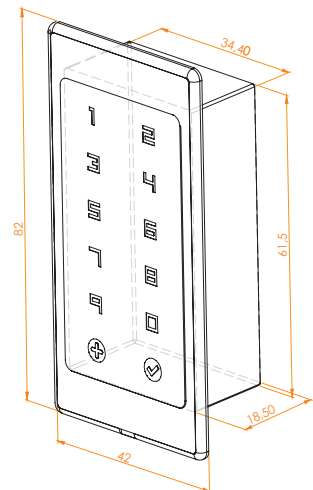
## R7-TP-SB

Stainless steel/black  
finish



## R7-TP-B

Black finish







Biopass fingerprint reader is designed for flush mounting. It comes in a package which also contains the R7-CU-303 control unit and DNP-12-30-2DIN power supply. Analog control is possible in combination with the R7-RF-101 module.

## R7-BP-PW

Polar white



## R7-BP-ES

Elox silver



## R7-BP-SB

Soft touch black



## R7-BP-IW

Ivory white



## R7-BP-AT

Anthracite



The user can choose between two control modes:



**ANALOG CONTROL**  
(with remote control)



FINGERPRINT CAPACITY: 166



ADMINISTRATORS: 3



RELAY OUTPUTS: 2



**APP CONTROL**



FINGERPRINT CAPACITY: 166



ADMINISTRATORS: unlimited



RELAY OUTPUTS: 2

## PACKAGE CONTENTS

READY FOR INSTALLATION IN ROUND ELECTRICAL BOX Ø 60 mm



FINGERPRINT READER



CONTROL UNIT



POWER SUPPLY

# CONTROL UNITS

Our systems consist of two units: a fingerprint reader or a keypad, installed outside, and a control unit with relay outputs by which the outdoor unit is programmed. We offer three types of control units, which can be installed inside the door leaf or mounted on the DIN rail in the electrical box.

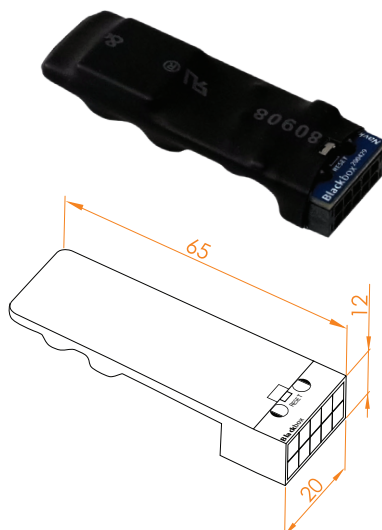
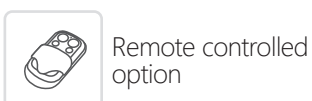


## R7-CU-303

DIN control unit with Wi-Fi communication



or

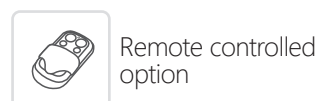


## R7-BBX-CU

Mini control unit - with 1 relay output



or



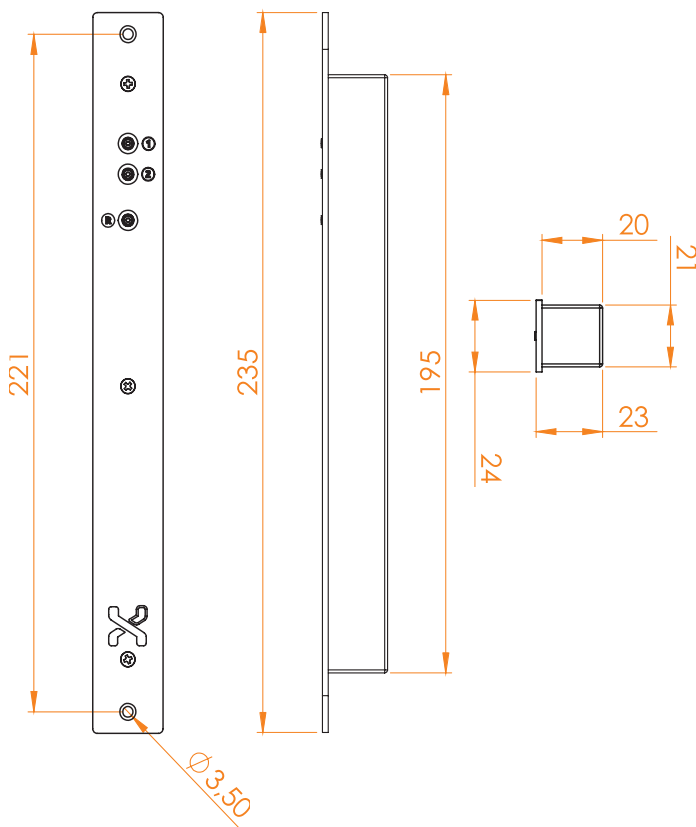
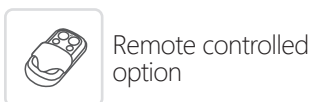
## R7-CU-201

Control unit for aluminium and PVC doors

Used in combination with other cable transfers.



or







## R7-CU-202

Control unit for aluminium and PVC doors

**Cable transfer included.**



APP CONTROL

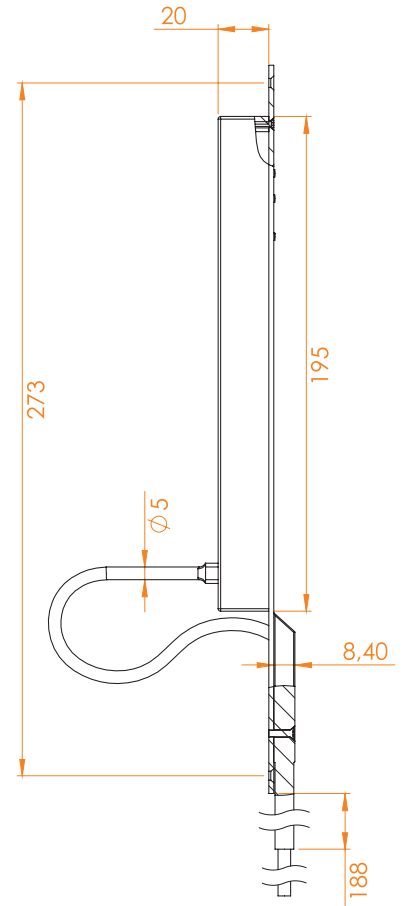
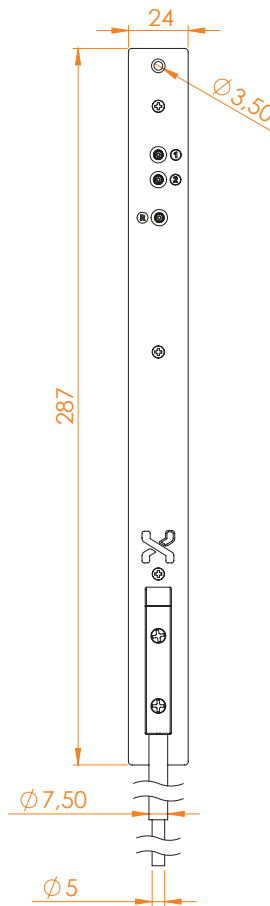
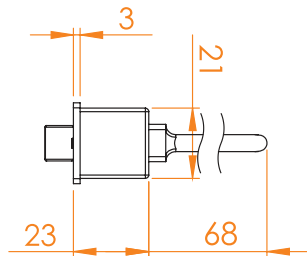
or



ANALOG CONTROL



Remote controlled option



## R7-CU-103

Control unit for wooden doors

**Cable transfer included.**



APP CONTROL

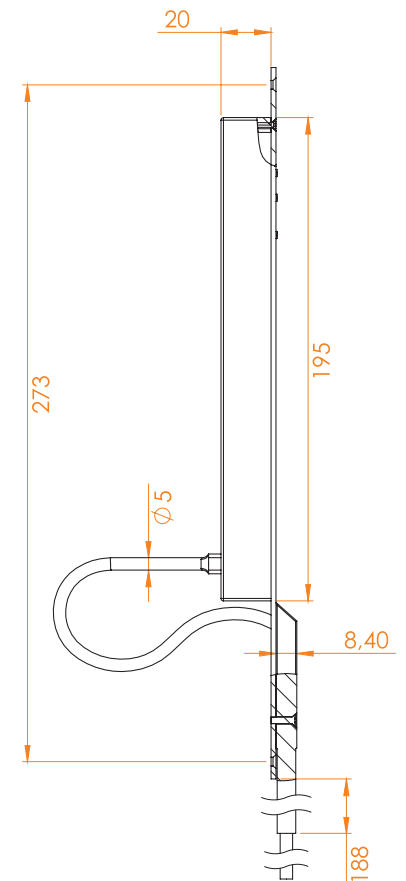
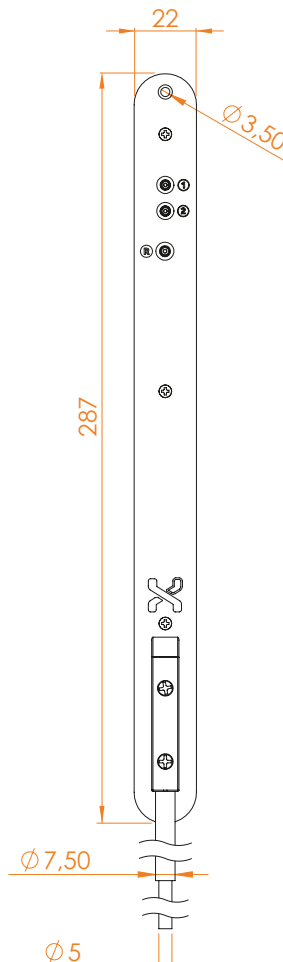
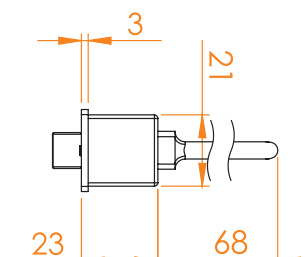
or



ANALOG CONTROL

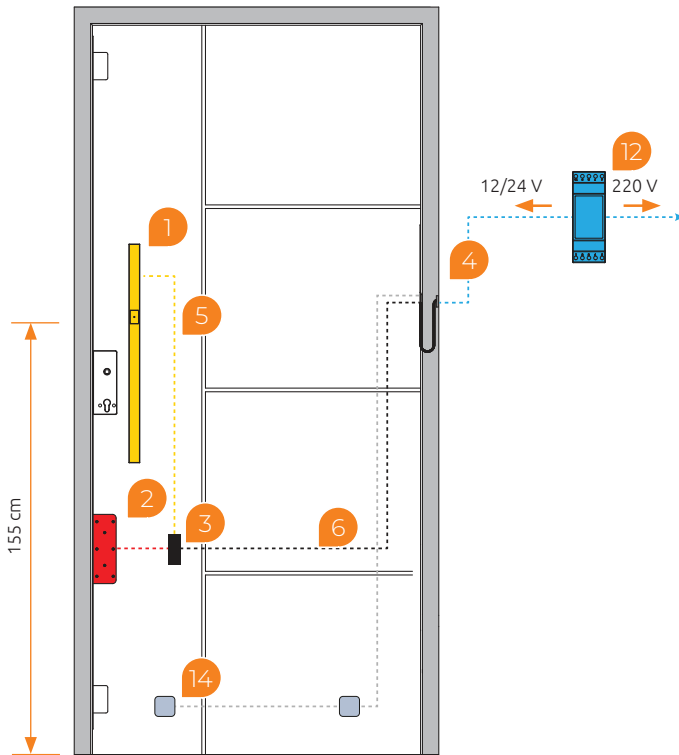


Remote controlled option

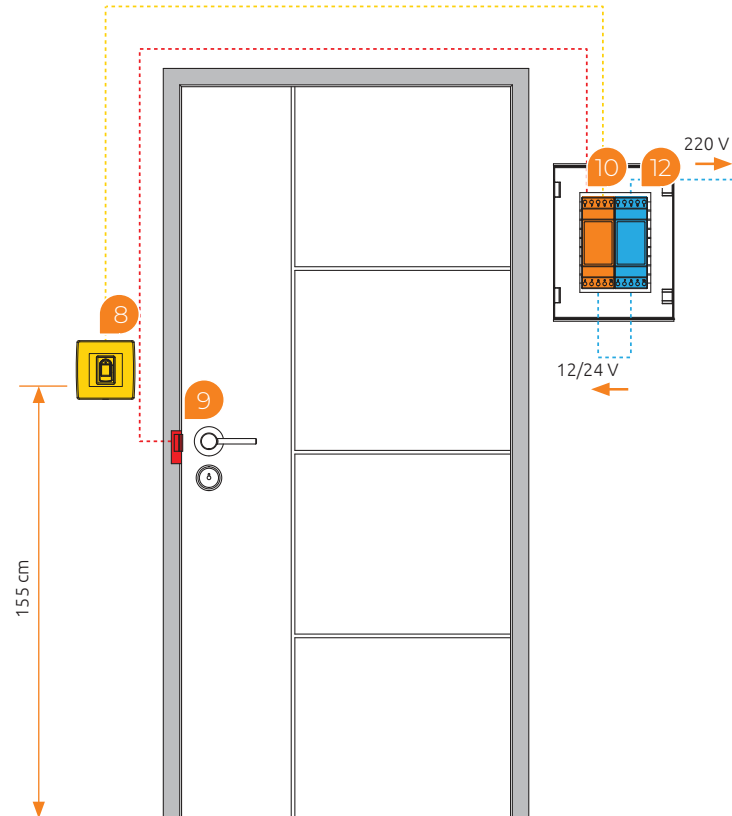


# TYPICAL INSTALLATIONS

## INSTALLATION IN THE DOOR LEAF



## INSTALLATION OUTSIDE THE DOOR



### BIOHANDLE OR BIOREADER

+

#### R7-BBX-CU

or

#### R7-CU-202

(ALU/PVC)

#### R7-CU-103

(WOOD)

#### R7-CU-104

(WOOD WITH WINKHAUS CABLE TRANSFER)

- cable set BBX
- cable transfer LCT-4-6
- cover plate LCT-16-SCP or LCT-16-SCP
- mounting modul LCT-16-ALV
- power supply

- red cable CR
- yellow cable CY
- power supply

### BIOPASS

+

#### Biopass set

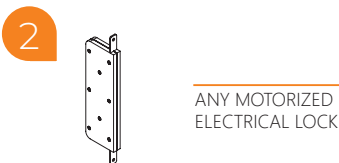
- control unit
- power supply

ORDERING SETS



#### R7-QE

A HANDLE WITH A FINGERPRINT READER



ANY MOTORIZED ELECTRICAL LOCK



#### R7-BBX-CU

MINI CONTROL UNIT BBX



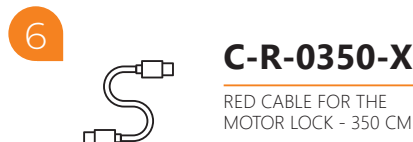
#### R7-CU-202

CONTROL UNIT FOR ALU/PVC DOORS, CABLE TRANSFER INCLUDED



#### C-Y-0350

YELLOW CABLE FOR THE READER - 350 CM



#### C-R-0350-X

RED CABLE FOR THE MOTOR LOCK - 350 CM



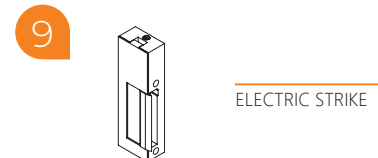
#### LCT set

CABLE TRANSFER WITH MOUNTING MODULE AND COVER PLATE



#### R7-BP-PW

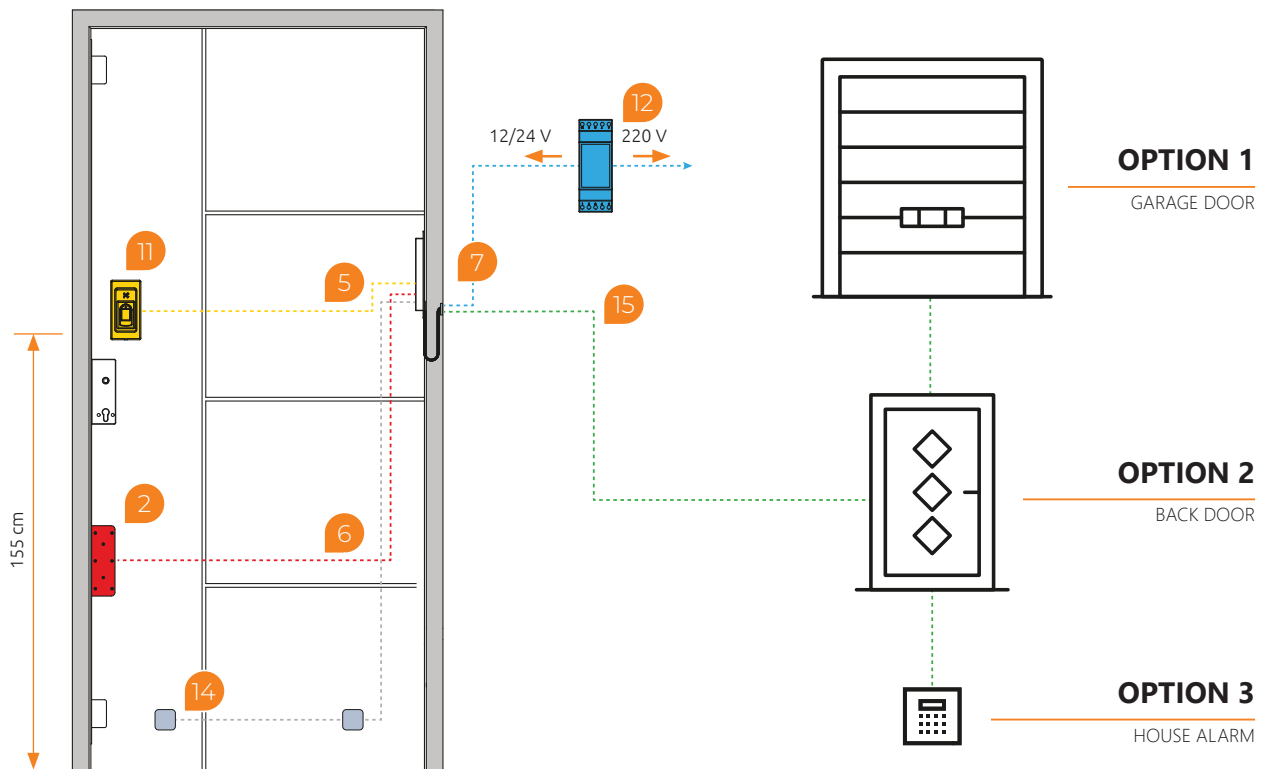
BIOPASS FINGERPRINT READER



ELECTRIC STRIKE



## INSTALLATION IN THE DOOR LEAF WITH THE USE OF RELAY 2



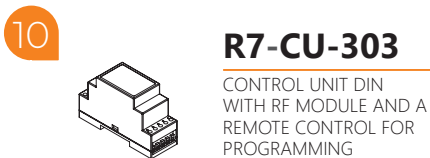
### BIOHANDLE OR BIOREADER

+

R7-CU-202	R7-CU-103	R7-CU-104
(ALU/PVC)	(WOOD)	(WOOD WITH WINKHAUS CABLE TRANSFER)




- red cable CR
- yellow cable CY
- power supply

ORDERING SETS



# ACCESSORIES

## ■ RED CABLE FOR MOTOR LOCK

ID	<b>C-R-0350-X</b>	<b>C-R-0350-G</b>	<b>C-R-0350-K</b>	<b>C-R-0350-M</b>
Name	Red cable for a motor lock without a designated connector - 350 cm	Red cable for motor lock G-U - 350 cm	Red cable for motor lock KFV - 350 cm	Red cable for motor lock MACO - 350 cm
				
ID	<b>C-R-0350-W</b>	<b>C-R-0350-F</b>	<b>C-R-0350-R</b>	<b>C-R-9100</b>
Name	Red cable for motor lock WINKHAUS - 350 cm	Red cable for motor lock FUHR - 350 cm	Red cable for motor lock ROTO - 350 cm	Extension for the red cable - 100 cm
				


## ■ YELLOW CABLE FOR THE READER

ID	<b>C-Y-0350</b>	<b>C-Y-9100</b>	<b>C-Y-9500</b>	<b>C-Y-Y10</b>
Name	Yellow cable for the reader - 350 cm	Extension for the yellow cable - 100 cm	Extension for the yellow cable - 500 cm	Yellow Y cable, Y=10 cm + 2 × 10 cm installation at the reader/ keypad
				

## □ WHITE CABLE FOR LED

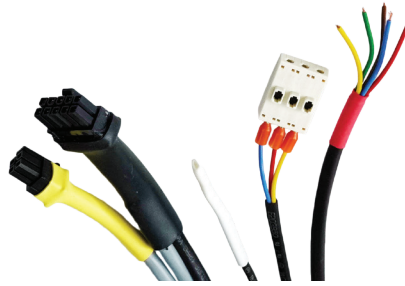
ID	<b>C-W-0100</b>	<b>C-W-Y10-CU</b>
Name	White cable for LED - 100 cm	White cable for LED, Y=10 cm + 2 × 10 cm installation at the control unit
		

## □ LED STRIP LIGHTING

ID	<b>R5H-LED-PLEXI</b>
Name	LED strip 12 V/24 V + plexi
	

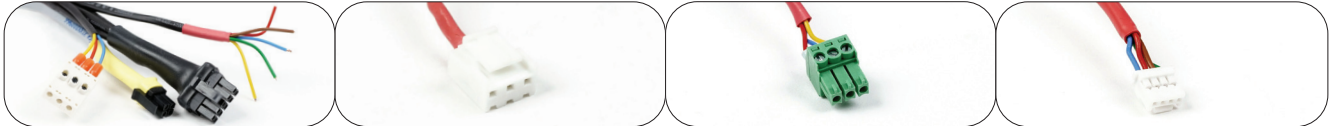


## ■ BBX CABLE SET



ID	<b>C-BBX-0120-X</b>	<b>C-BBX-0120-G</b>	<b>C-BBX-0120-K</b>	<b>C-BBX-0120-M</b>
----	---------------------	---------------------	---------------------	---------------------

Name	BBX cable set for motor lock without a designated connector - 120 cm	BBX cable set for motor lock G-U - 120 cm	BBX cable set for motor lock KfV - 120 cm	BBX cable set for motor lock MACO - 120 cm
------	--	---	---	--



ID	<b>C-BBX-0120-W</b>	<b>C-BBX-0120-F</b>	<b>C-BBX-0120-R-SH</b>	<b>C-BBX-0120-R</b>
----	---------------------	---------------------	------------------------	---------------------

Name	BBX cable set for motor lock WINKHAUS - 120 cm	BBX cable set for motor lock FUHR - 120 cm	BBX cable set for motor lock ROTO-SH - 120 cm	BBX cable set for motor lock ROTO - 120 cm
------	--	--	---	--



## ■ MODULE + REMOTE CONTROL

### **R7-RF-101**

ID

RF module for remote control door opening  
(Two remote controls included)

Name



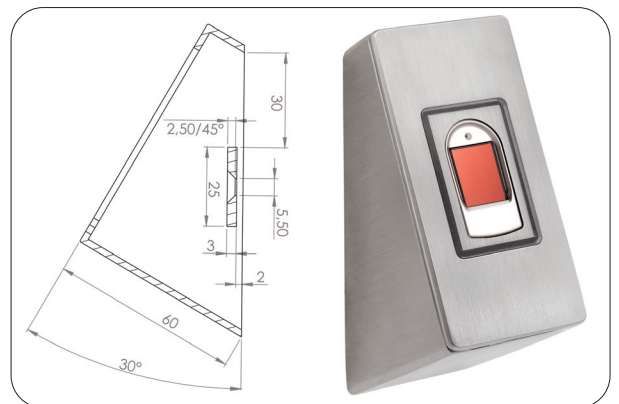
## ■ 30° HOLDER

### **R2-IN-1**

ID

Stainless steel 30° holder

Name



## ■ CABLE TRANSFER SET

### LCT-4-6-SET

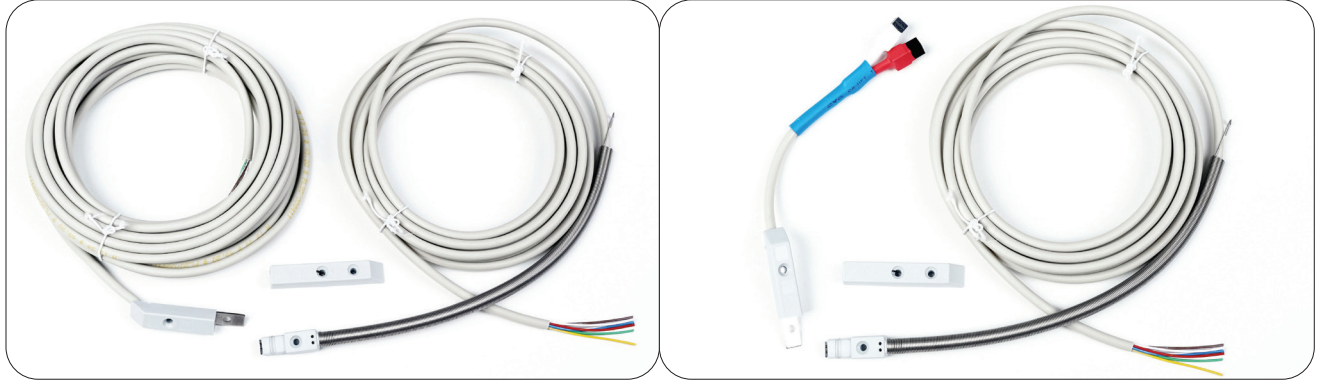
### LCT-67-SET

ID

Cable transfer set 4+6 m, without connectors

Cable transfer set with connectors for motor lock and/or LED connection

Name



## ■ CABLE SET ACCESSORIES

### LCT-16-RCP

### LCT-16-SCP

### LCT-16-ALV

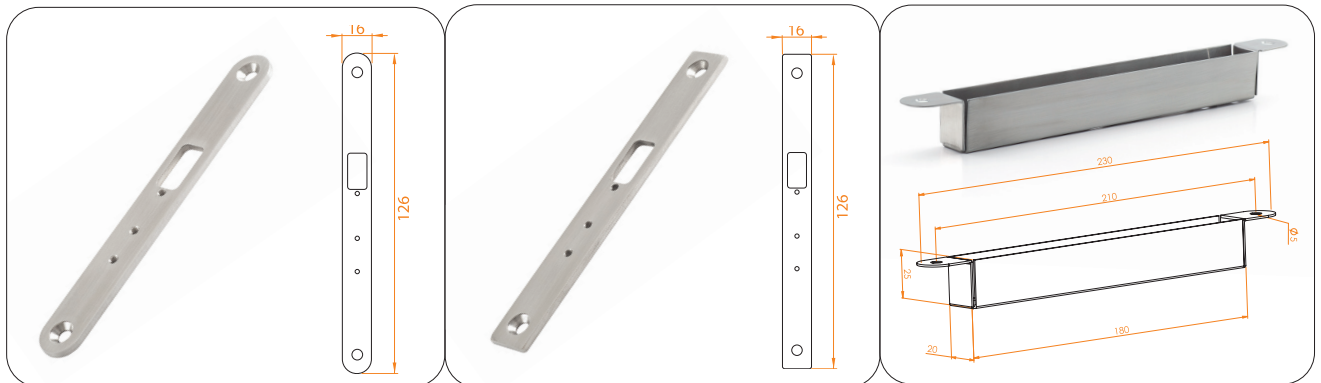
ID

Stainless steel cover plate - rounded

Stainless steel cover plate - square

Mounting module for cable transfer

Name



## ■ DIN POWER SUPPLY



ID

### DNP-12-30-2DIN

### DNP-24-30-2DIN

### DNP-12-60-3DIN

### DNP-24-60-3DIN

Name

12V/2,0A DIN power supply

24V/1,5A DIN power supply

12V/4,5A DIN power supply

24V/4,5A DIN power supply

30W with power cord

30W with power cord

60W with power cord

60W with power cord



