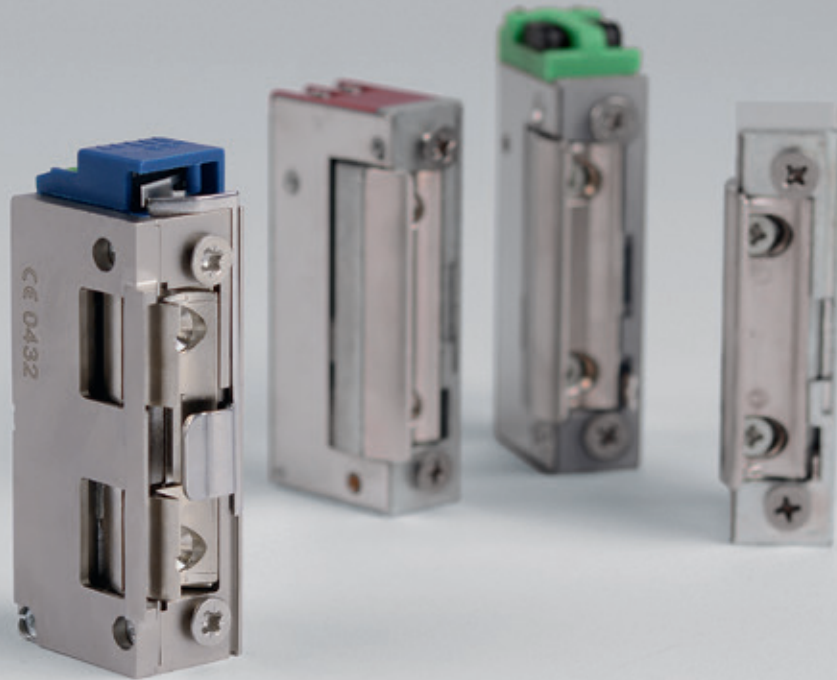




WINDOW TECHNOLOGY
DOOR TECHNOLOGY
AUTOMATIC ENTRANCE SYSTEMS
BUILDING MANAGEMENT SYSTEMS



DOOR TECHNOLOGY

GU-BKS electric strikes ET 8

Securing technology for you



Modern technology – the Gretsch-Unitas group



By courtesy of kap Planungsbüro für Bauleistungen GmbH, Fellbach

Commitment to tradition – setting the highest design and quality standards

A corporate group with tradition

For over 100 years, the owner-managed GU group has been fascinated with the opening, moving, closing and locking of windows and doors. Technical innovations and continual development of architectural hardware technology have and will continue to shape forces in the market, setting new standards and trends for the future.

The Gretsch-Unitas group

The group consists of more than 50 manufacturing and sales companies in more than 35 countries. With the internationally leading brands GU (architectural hardware), BKS (locks, locking systems) and FERCO (architectural hardware), the group offers "Securing technology for you".

Corporate group product overview

In its window technology, door technology, automatic entrance systems and building management systems divisions, the GU group manufactures and distributes about 30,000 products which are easy to combine.

Securing technology for you

We use the major challenges of creating innovative and visionary system solutions to break new ground. Together with architects, planners and profile system manufacturers, we develop individual comprehensive solutions.

Fitting the profile	Page
GU-BKS electric strikes ET 8	4
Technical design and performance features	
The modern way.....	5
Design variants of GU-BKS electric strike ET 8	
Functionality in a nutshell	6, 7
Technical data	
Technics in a nutshell	8
GU-BKS electric strikes ET 8	
Design variant: standard, without latch slide cover	9
Design variant: standard, with latch slide cover	10
Design variant: fire-rated	11
Design variant: METÖ	12
Design variant: METÖ, fire-rated	13
Accessories	
Surface attachments	14
Profile systems	
made of PVC	15–17
Classification codes and abbreviations	18
Glossary of function types	19

Copyright notice

All images and texts in this brochure are copyright protected. Unless otherwise stated on the image, the rights belong to the Gretsch-Unitas group. Any use of copyright protected materials without the consent of the holder of the rights is prohibited.

Publisher
 Gretsch-Unitas GmbH
 Baubeschläge
 Johann-Maus-Str. 3
 71254 Ditzingen, Germany
 Tel. +49 7156 301-0
 Fax +49 7156 301-293
www.g-u.com

Fitting the profile

GU-BKS electric strikes ET 8



The GU-BKS electric strikes ET 8

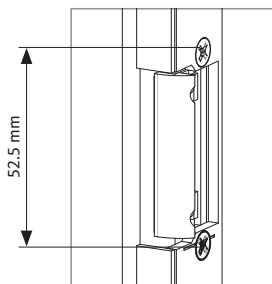
The compact design, the radius keeper, plus the extra benefit of a latch slide cover make it possible to accommodate the GU-BKS electric strikes ET 8 without having to cut the profile. The adjustable radius keeper enables the gasket pressure of the door to be adjusted in two steps so the door will always be shut tightly.

Advantages of the GU-BKS electric strikes ET 8

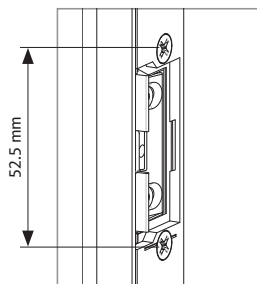
- Appearance of profile remains unaffected
- Increased door tightness, reduced energy loss
- Little installation effort

Retrofitting

Thanks to its compact design and 52.5 mm screw centres, the GU-BKS electric strike ET 8 can be retrofitted into existing profiles easily.



Standard installation



Concealed installation

Technical design and performance features:

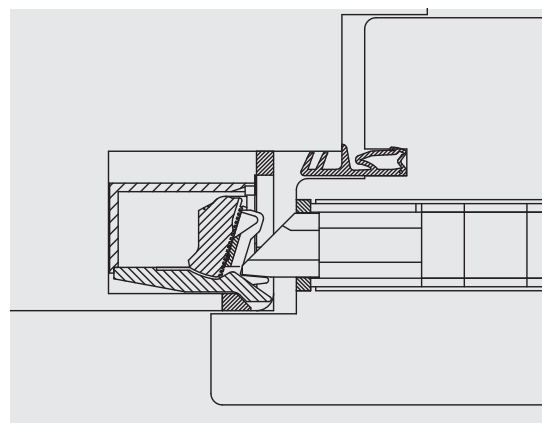
- Symmetrical design – non-handed use
- **Small and compact size**
 - 16 mm wide, 28.4 mm deep and only 65.5 mm high (version with contact 72.5 mm high, version with latch slide cover 19 mm wide)
- **Radius keeper**
 - 2 mm adjustable in 2 steps
 - 3 mm adjustable with fire-rated version in 3 steps
 - Strikes with latch slide cover (version F) save the effort of cutting the front edge of the frame profile
 - Tightness and appearance of the door are maintained
 - Uninterrupted profile edge reduces energy losses
- **Voltage ranges**
 - Standard operating voltage 9–24 V AC/DC, +/- 10%
 - With high-preload controller 6–28 V AC/DC, +/- 10%
- **Pole reversal-proof overvoltage protection**

Thanks to bipolar TVS diode allowing the strikes to be connected with electronic control units (EMC protection)
- High break open resistance > 4500 N
- High preload unlocking at AC > 250 N
- Optimum compatibility with profiles
- Monitoring contact (K)
- Mechanical override (E)
- **Connection**
 - clampable/pluggable
 - connection via existing cable with high-preload controller

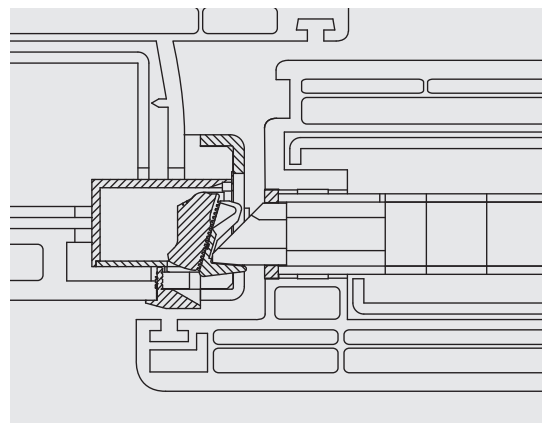
The modern way

for installation in timber, PVC and aluminium profiles

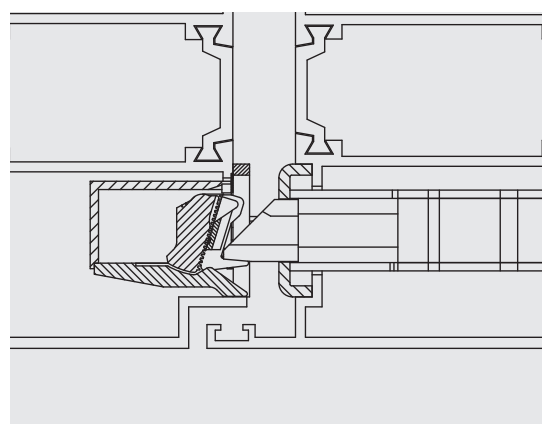
Timber



PVC



Aluminium



Design variants

Functionality in a nutshell



Fail-secure GU-BKS electric strike ET8 (A), blue terminal block

- standard version
- fire-rated version
- METÖ version for 2-leaf panic doors

- Radius keeper
 - 2 mm adjustable in 2 steps (standard)
 - 3 mm adjustable in 3 steps (fire-rated)
- Operating voltage 9–24 V AC/DC, +/- 15%
- Clampable/pluggable connection
- Symmetrical design, therefore DIN left-hand/right-hand and horizontally usable



Fail-safe GU-BKS electric strike ET 8 (R), red terminal block

- standard version

- Radius keeper
 - 2 mm adjustable in 2 steps (standard)
- Operating voltage 22–28 V DC, +/- 15%
- Clampable/pluggable connection
- Symmetrical design, therefore DIN left-hand/right-hand and horizontally usable



Fail-secure GU-BKS electric strike ET8 (V) with high-preload controller, green terminal block

- standard version
- fire-rated version

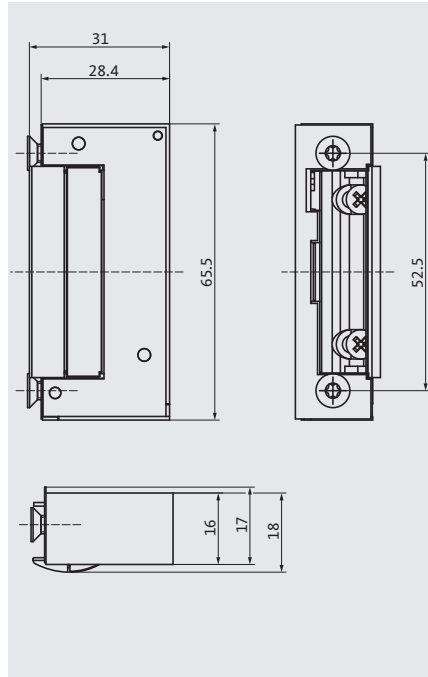
- Radius keeper
 - 2 mm adjustable in 2 steps (standard)
 - 3 mm adjustable in 3 steps (fire-rated)
- Operating voltage 6–28 V AC/DC, +/- 15%
- Existing connecting cable
- Symmetrical design, therefore DIN left-hand/right-hand and horizontally usable



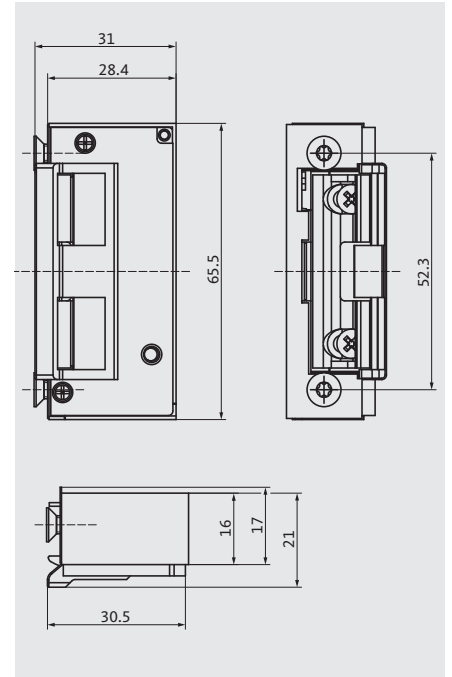
**Interchangeable latch piece,
grey terminal block**

– standard version

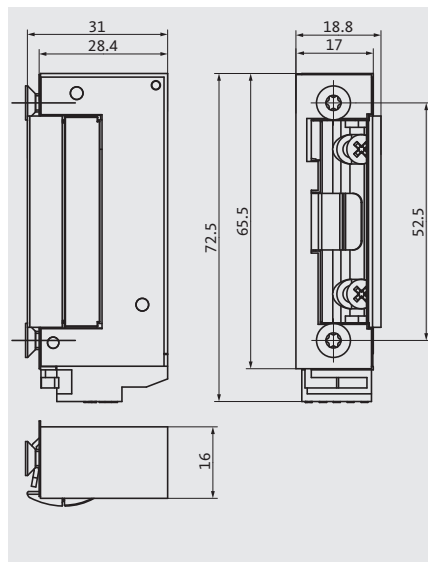
- Radius keeper
– 2 mm adjustable in 2 steps
(standard)



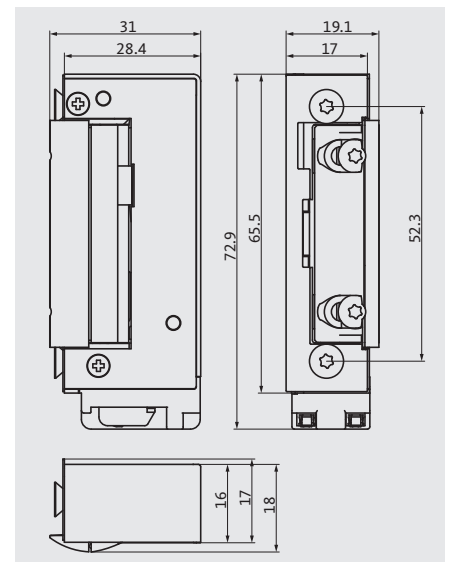
**GU-BKS electric strike ET 8 standard,
without latch slide cover**



**GU-BKS electric strike ET 8 standard,
with latch slide cover**



**GU-BKS electric strike ET 8 standard,
with monitoring contact**



**GU-BKS electric strike ET 8 fire-rated,
with high-preload controller**

Technical data

Technics in a nutshell



Technical data

Designation	GU-BKS electric strike ET 8	GU-BKS electric strike ET 8 – fire-rated
Material of housing	Zinc die-cast	Steel
Material of keeper	Zinc die-cast	Steel
Material variant F (with latch slide cover)	Steel	Steel
Adjustment range	2 mm in 2 positions (each with 1 mm detent)	3 mm in 3 positions (each with 1 mm detent)
Break-open resistance	4800 N	8000 N
Keeper	Radius keeper	
Latch keeper: mechanical unlocking standard (E)	~30 N	
Latch keeper: mechanical unlocking, strong latch spring (ES)	~60 N	
Operating temperature	– 25 °C up to + 70 °C	
Flyback diode	Yes	
Pole reversal-proof	Yes	
Endurance rating	200,000 to EN 14846	
Door handing	Non-handed use	
Installation position	Vertical/horizontal	
Version K with microswitch	With latch monitoring contact (potential-free changeover contact)	
Switching capacity of contact	30 V AC/DC 500 mA	
Installation dimensions (H x W x D)	65.5 x 16 x 28.4 mm	
Dimensions (H x W x D), version K with microswitch	72.5 x 16 x 28.4 mm	

Operating voltage of fail-secure GU-BKS electric strike ET8, blue terminal block

Voltage	Current	Preload unlocking	Nominal resistance	Operating time
9–24 V AC/DC: 12 V version	AC 250 mA	AC 200 N	43 Ω	< 1 min. 100% duty ratio
	DC 280 mA	DC 50 N		
22–28 V AC/DC: 24 V version	AC 60 mA	AC 200 N	200 Ω	< 1 min. 100% duty ratio
	DC 120 mA	DC 50 N		

Operating voltage of fail-safe GU-BKS electric strike ET8, red terminal block

Voltage	Current	Preload unlocking	Nominal resistance	Operating time
22–28 V DC: 24 V version	DC 120 mA	No unlocking with preloaded latch	200 Ω	100% duty ratio

Operating voltage of fail-secure GU-BKS electric strike ET8 with high-preload controller, green terminal block

Voltage	Current	Preload unlocking	Nominal resistance	Operating time
6–28 V AC/DC: 12 V version	AC 500 mA (1.5 s) 210 mA (100%)	400 N	6.5 Ω	100% duty ratio
	DC 300 mA (1.5 s) 110 mA (100%)			
6–28 V AC/DC: 24 V version	AC 195 mA (1.5 s) 60 mA (100%)	400 N	6.5 Ω	100% duty ratio
	DC 240 mA (1.5 s) 90 mA (100%)			





GU-BKS electric strike ET 8

Design variant: standard, without latch slide cover



GU-BKS electric strike ET 8 standard, without latch slide cover

Colour of terminal block	A Fail-secure	R Fail-safe	F Latch slide cover	E Mechanical override	S Strong latch spring 60 N	K Contact	V Preload	ED Duty ratio	Order number
Blue	A							< 1 min	6-35804-01-0-1
	A			E					6-35804-02-0-1
	A			E	S				6-38473-02-0-1
	A					K			6-35804-03-0-1
Red		R						100%	6-35806-01-0-1
		R				K			6-35806-03-0-1
Green	A						V		6-38605-01-0-1
	A			E			V		6-38605-02-0-1
	A					K	V		6-38605-03-0-1
Grey				E					6-35804-05-0-1
				E	S				6-38473-05-0-1
					S				6-38473-07-0-1

Blue terminal block	Red terminal block	Green terminal block	Grey terminal block
Fail-secure version A 9–24 V AC/DC, 12 V DC, 100% duty ratio	Fail-safe version R 22–28 V DC	Fail-secure (version A) with integrated high-preload controller 6–28 V AC/DC, 100% duty ratio for preload unlocking of ~ 250 N	Interchangeable latch piece with mechanical override
			





GU-BKS electric strike ET 8

Design variant: standard, with latch slide cover



GU-BKS electric strike ET 8 standard, with latch slide cover

Colour of terminal block	A Fail-secure	R Fail-safe	F Latch slide cover	E Mechanical override	S Strong latch spring 60 N	K Contact	V Preload	Duty ratio Duty ratio	Order number
Blue	A		F					< 1 min	6-35805-01-0-1
	A		F	E					6-35805-02-0-1
	A		F	E	S				6-38474-02-0-1
	A		F			K			6-35805-03-0-1
Red		R	F					100%	6-35807-01-0-1
		R	F			K			6-35807-03-0-1
Green	A		F				V		6-38606-01-0-1
	A		F	E			V		6-38606-02-0-1
	A		F			K	V		6-38606-03-0-1
Grey			F	E					6-35805-05-0-1
			F	E	S				6-38474-05-0-1
			F		S				6-38474-07-0-1

Blue terminal block	Red terminal block	Green terminal block	Grey terminal block
Fail-secure version A 9–24 V AC/DC, 12 V DC, 100% duty ratio	Fail-safe version R 22–28 V DC	Fail-secure (version A) with integrated high-preload controller 6–28 V AC/DC, 100% duty ratio for preload unlocking of ~ 250 N	Interchangeable latch piece with mechanical override
			

GU-BKS FH electric strike ET 8 standard, without latch slide cover

Colour of terminal block	A Fail-secure	R Fail-safe	F Latch slide cover	E Mechanical override	FF Latch spring 30 N	S Strong latch spring 60 N	K Contact	V High-preload controller	Voltage	Order number
Blue	A								9-24 V	B-92510-00-0-8
	A								22-28 V	B-92510-01-0-8
	A						K		9-24 V	B-92510-02-0-8
	A						K		22-28 V	B-92510-03-0-8
Green	A							V	6-28 V	B-92510-20-0-8
	A						K	V	6-28 V	B-92510-21-0-8

Blue terminal block	Green terminal block
Fail-secure version A 9-24 V AC/DC, 12 V DC, 100% duty ratio 22-28 V AC/DC, 24 V DC, 100% duty ratio	Fail-secure (version A) with integrated high-preload controller 6-28 V AC/DC, 100% duty ratio for preload unlocking ~ 250 N

GU-BKS FH electric strike ET 8 standard, with latch slide cover

Colour of terminal block	A Fail-secure	R Fail-safe	F Latch slide cover	E Mechanical override	FF Latch spring 30 N	S Strong latch spring 60 N	K Contact	V High-preload controller	Voltage	Order number
Blue	A		F						9-24 V	B-92510-10-0-8
	A		F						22-28 V	B-92510-11-0-8
	A		F				K		9-24 V	B-92510-12-0-8
	A		F				K		22-28 V	B-92510-13-0-8
Green	A		F					V	6-28 V	B-92510-30-0-8
	A		F				K	V	6-28 V	B-92510-31-0-8

Blue terminal block	Green terminal block
Fail-secure version A 9-24 V AC/DC, 12 V DC, 100% duty ratio 22-28 V AC/DC, 24 V DC, 100% duty ratio	Fail-secure (version A) with integrated high-preload controller 6-28 V AC/DC, 100% duty ratio for preload unlocking ~ 250 N

GU-BKS electric strike ET 8 METÖ

Design variant: METÖ



GU-BKS electric strike ET 8 METÖ for 2-leaf doors, without latch slide cover

Colour of terminal block	A Fail-secure	R Fail-safe	F Latch slide cover	E Mechanical override	FF Latch spring 30 N	S Strong latch spring 60 N	K Contact	Voltage	Order number
Blue	A							9-24 V	B-92520-20-0-8
	A							22-28 V	B-92520-21-0-8
	A						K	9-24 V	B-92520-22-L-8
	A						K	9-24 V	B-92520-22-R-8
	A						K	22-28 V	B-92520-23-L-8
	A						K	22-28 V	B-92520-23-R-8

Blue terminal block

Fail-secure version A
 9-24 V AC/DC, 12 V DC, 100% duty ratio
 22-28 V AC/DC, 24 V DC, 100% duty ratio



GU-BKS electric strike ET 8 METÖ for 2-leaf doors, with latch slide cover

Colour of terminal block	A Fail-secure	R Fail-safe	F Latch slide cover	E Mechanical override	FF Latch spring 30 N	S Strong latch spring 60 N	K Contact	Voltage	Order number
Blue	A		F					9-24 V	B-92520-00-0-8
	A		F					22-28 V	B-92520-01-0-8
	A		F				K	9-24 V	B-92520-02-L-8
	A		F				K	9-24 V	B-92520-02-R-8
	A		F				K	22-28 V	B-92520-03-L-8
	A		F				K	22-28 V	B-92520-03-R-8

Blue terminal block

Fail-secure version A
 9-24 V AC/DC, 12 V DC, 100% duty ratio
 22-28 V AC/DC, 24 V DC, 100% duty ratio



GU-BKS electric strike ET 8 METÖ

Design variant: METÖ, fire-rated



GU-BKS FH electric strike ET 8 METÖ for 2-leaf doors, without latch slide cover

Colour of terminal block	A Fail-secure	R Fail-safe	F Latch slide cover	E Mechanical override	FF Latch spring 30 N	S Strong latch spring 60 N	K Contact	Voltage	Order number
Blue	A							9-24 V	B-92520-30-0-8
	A							22-28 V	B-92520-31-0-8
	A						K	9-24 V	B-92520-32-L-8
	A						K	9-24 V	B-92520-32-R-8
	A						K	22-28 V	B-92520-33-L-8
	A						K	22-28 V	B-92520-33-R-8

Blue terminal block

Fail-secure version A
 9-24 V AC/DC, 12 V DC, 100% duty ratio
 22-28 V AC/DC, 24 V DC, 100% duty ratio



GU-BKS FH electric strike ET 8 METÖ for 2-leaf doors, with latch slide cover

Colour of terminal block	A Fail-secure	R Fail-safe	F Latch slide cover	E Mechanical override	FF Latch spring 30 N	S Strong latch spring 60 N	K Contact	Voltage	Order number
Blue	A		F					9-24 V	B-92520-10-0-8
	A		F					22-28 V	B-92520-11-0-8
	A		F				K	9-24 V	B-92520-12-L-8
	A		F				K	9-24 V	B-92520-12-R-8
	A		F				K	22-28 V	B-92520-13-L-8
	A		F				K	22-28 V	B-92520-13-R-8

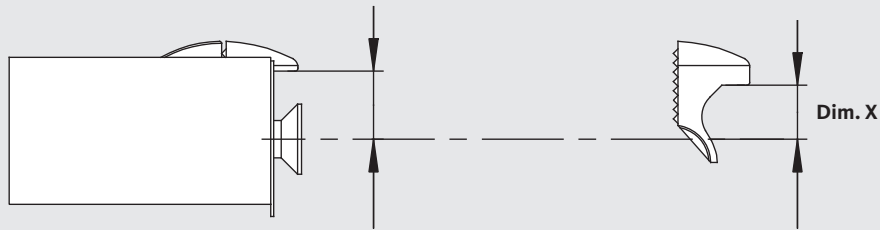
Blue terminal block

Fail-secure version A
 9-24 V AC/DC, 12 V DC, 100% duty ratio
 22-28 V AC/DC, 24 V DC, 100% duty ratio




Accessories

Surface attachments




Overview

Drawing	Surface attachment	Note	Order number	Dim. X min./max.
		- fitted as standard - without latch slide cover	-	7.1 to 9.1 mm
		- fitted as standard - with latch slide cover	9-47318-01-0-1 (optional)	7.1 to 9.1 mm
		- gasket pressure + 1.5 mm - for version without latch slide cover	9-46049-21-0-1	5.6 to 7.6 mm
		- gasket pressure - 1 mm - for version without latch slide cover	9-46049-11-0-1	8.1 to 10.1 mm
		- gasket pressure + 1.5 mm - for version with latch slide cover	9-47318-21-0-1	5.6 to 7.6 mm
		- gasket pressure - 1 mm - for version with latch slide cover	9-47318-11-0-1	8.1 to 10.1 mm

PVC profile system	Striker
	With interchangeable latch piece
Dimension L [mm]	216.5
Packing unit	PU = 5
	
Actual	
Actual 600	6-37675-3T-L-1 6-37675-3T-R-1
Alphacan	
Alphacan Class	6-37675-3R-L-1 6-37675-3R-R-1
Aluplast	
Aluplast Ideal 2000	6-37675-07-L-1 6-37675-07-R-1
Aluplast Ideal 4000	6-37654-2U-L-1 6-37654-2U-R-1
Aluplast Ideal 7000	6-37675-5K-L-1 6-37675-5K-R-1
Aluplast Ideal 7000	–
Aluplast Ideal 8000	6-37675-5K-L-1 6-37675-5K-R-1
Aluplast energeto 4000	6-37654-2U-L-1 6-37654-2U-R-1
Aluplast energeto 7000	6-37675-5K-L-1 6-37675-5K-R-1
Aluplast energeto 7000	–
Aluplast energeto 8000	6-37675-5K-L-1 6-37675-5K-R-1
Archimede	
Archimede Serie 500	6-37632-5W-L-1 6-37632-5W-R-1
Archimede Serie 500	6-37558-5T-L-1 6-37558-5T-R-1
Brüggmann	
Brüggmann AD	6-37558-2Y-L-1 6-37558-2Y-R-1
Brüggmann AD	6-37675-2L-L-1 6-37675-2L-R-1
Brüggmann MD	6-37675-2L-L-1 6-37675-2L-R-1
Deceuninck	
Deceuninck Mondial	6-37675-14-L-1 ^[2] 6-37675-14-R-1 ^[2]
Deceuninck Mondial	6-37558-2M-L-1 ^[2] 6-37558-2M-R-1 ^[2]
Deceuninck Zendow	6-37675-34-L-1 6-37675-34-R-1
Deceuninck Zendow Neo	6-37675-34-L-1 6-37675-34-R-1

^[1] Deadbolt monitoring contact, order number K-19068-00-0-6


^[2] On request


PVC profile system	Striker
	With interchangeable latch piece
Dimension L [mm]	216.5
Packing unit	PU = 5
	
Funke	
Funke Helios	6-37675-34-L-1 6-37675-34-R-1
Funke Phönix	6-37675-34-L-1 6-37675-34-R-1
Gealan	
Gealan S 3000 (gasket pressure + 1 mm)	6-37675-4B-L-1 6-37675-4B-R-1
Gealan S 3000	6-37675-21-L-1 6-37675-21-R-1
Gealan S 7000 IQ	6-37558-4P-L-1 6-37558-4P-R-1
Gealan S 8000 IQ	6-37558-4P-L-1 6-37558-4P-R-1
Gealan S 9000 (gasket pressure + 1 mm)	6-37558-6D-L-1 6-37558-6D-R-1
Gealan S 9000	6-37558-4P-L-1 6-37558-4P-R-1
Horizont	
Horizont PS 990	6-37610-87-L-1 6-37610-87-R-1
INOUTIC	
INOUTIC AD (gasket pressure + 2 mm)	6-37675-3E-L-1 6-37675-3E-R-1
INOUTIC AD	6-37654-79-L-1 6-37654-79-R-1
INOUTIC Eforte	6-37654-79-L-1 6-37654-79-R-1
INOUTIC Elite / Acade	6-37654-79-L-1 6-37654-79-R-1
INOUTIC Prestige	6-37654-79-L-1 6-37654-79-R-1
Panorama	
Panorama 3000	6-37675-21-L-1 6-37675-21-R-1
Primo	
Primo 400	6-37698-52-L-1 3-37698-52-R-1
Primo 4000	6-37675-2E-L-1 6-37675-2E-R-1
Profine	
Profine 76	6-37558-5X-L-1 6-37558-5X-R-1
Profine 76	6-37558-5X-L-1 6-37558-5X-R-1
Profine 88MD	6-37558-5X-L-1 6-37558-5X-R-1


^[1] Deadbolt monitoring contact, order number K-19068-00-0-6


^[2] On request



PVC profile system	Striker
	With interchangeable latch piece
Dimension L [mm]	216.5
Packing unit	PU = 5
	
Profine	
Profine 88MD	6-37558-5X-L-1 6-37558-5X-R-1
Profine EuroFutur Classic	6-37654-38-L-1 ^[2] 6-37654-38-R-1 ^[2]
Profine EuroFutur Classic (accessory flush with edge of frame)	6-37930-03-L-1 6-37930-03-R-1
Profine EuroFutur Classic	6-37675-31-L-1 6-37675-31-R-1
Profine EuroFutur Elegance	6-37654-38-L-1 ^[2] 6-37654-38-R-1 ^[2]
Profine EuroFutur Elegance	6-37675-31-L-1 6-37675-31-R-1
Profine Gold	6-37675-34-L-1 6-37675-34-R-1
Profine K-vision	6-37675-31-L-1 6-37675-31-R-1
Profine KBE 58	6-37654-28-L-1 6-37654-28-R-1
Profine KBE 70	6-37675-34-L-1 6-37675-34-R-1
Profine KBE 88+	6-37675-34-L-1 6-37675-34-R-1
Profine Kömmerling 88+	6-37675-31-L-1 6-37675-31-R-1
Profine Phalanx AD	6-37675-34-L-1 6-37675-34-R-1
Profine Phalanx AD, 2-leaf doors, with mullion	6-37675-34-L-1 6-37675-34-R-1
Profine Trocal 88+	6-38632-00-L-1 6-38632-00-R-1
Profine Trocal AluFusion MD	6-37675-83-L-1 6-37675-83-R-1
Profine Trocal Innonova 2000	6-38632-00-L-1 6-38632-00-R-1
Profine Trocal Innonova 2000	6-38632-00-L-1 6-38632-00-R-1
Profine Trocal Innonova 70 A5	6-37675-83-L-1 6-37675-83-R-1
Profine Trocal Innonova 70 M5	6-37675-83-L-1 6-37675-83-R-1
Profine Trocal Innonova 70 M5	6-37675-83-L-1 6-37675-83-R-1
Pural	
Pural	6-37654-55-L-1 6-37654-55-R-1
^[1] Deadbolt monitoring contact, order number K-19068-00-0-6 ^[2] On request	

PVC profile system	Striker
	With interchangeable latch piece
Dimension L [mm]	216.5
Packing unit	PU = 5
	
Ramplast	
Ramplast 2000	6-37610-03-L-1 ^[2] 6-37610-03-R-1 ^[2]
Ramplast Ecotherm	6-37654-4A-L-1 6-37654-4A-R-1
Rehau	
Rehau Brillant Design	6-37558-62-L-1 6-37558-62-R-1
Rehau Brillant Design (2 screw axes)	6-38988-01-L-1 6-38988-01-R-1
Rehau Character Design 70	6-37558-3A-L-1 6-37558-3A-R-1
Rehau Character Design 70	6-37558-3A-L-1 ^[2] 6-37558-3A-R-1 ^[2]
Rehau Euro Design 86	6-37558-5A-L-1 6-37558-5A-R-1
Rehau Geneo without T-profile (gasket pressure + 2 mm)	6-37558-6C-L-1 6-37558-6C-R-1
Rehau Geneo without T-profile	6-37558-5D-L-1 6-37558-5D-R-1
Rehau Geneo without T-profile	6-37698-6B-L-1 6-37698-6B-R-1
Rehau Geneo without T-profile (gasket pressure + 1 mm)	6-37558-4W-L-1 6-37558-4W-R-1
Rehau Geneo with T-profile (gasket pressure + 1 mm)	6-37558-4X-L-1 6-37558-4X-R-1
Rehau Geneo with T-profile	6-37558-5N-L-1 6-37558-5N-R-1
Rehau Optimum	6-37558-62-L-1 6-37558-62-R-1
Rehau S 730	6-37558-62-L-1 6-37558-62-R-1
Rehau S 730 (gasket pressure + 1 mm)	6-37558-5P-L-1 6-37558-5P-R-1
Rehau Synego AD / MD	6-37558-5A-L-1 6-37558-5A-R-1
Rehau Synego AD / MD	6-37558-5A-L-1 6-37558-5A-R-1
Rehau Thermo Design	6-37558-62-L-1 6-37558-62-R-1
Roplasto	
Roplasto 7001	6-37675-46-L-1 6-37675-46-R-1
Salamander	
Salamander bluEvolution 82	6-37558-5J-L-1 6-37558-5J-R-1
Salamander bluEvolution 82	6-37558-5J-L-1 6-37558-5J-R-1
^[1] Deadbolt monitoring contact, order number K-19068-00-0-6 ^[2] On request	

PVC profile system	Striker
	With interchangeable latch piece
Dimension L [mm]	216.5
Packing unit	PU = 5
	
Salamander	
Salamander bluEvolution 92	6-37558-5A-L-1 6-37558-5A-R-1
Salamander bluEvolution 92 (screw axis 22 mm)	6-37558-5Y-L-1 6-37558-5Y-R-1
Salamander Design 3D	6-37558-2R-L-1 6-37558-2R-R-1
Salamander Design iD	6-37558-2R-L-1 6-37558-2R-R-1
Salamander Streamline	6-37558-2R-L-1 6-37558-2R-R-1
Salamander Streamline	6-37558-2R-L-1 6-37558-2R-R-1
Schüco	
Schüco Corona AS 60	6-37675-1F-L-1 6-37675-1F-R-1
Schüco Corona AS 60 (Anpressdruck + 1 mm)	6-37675-3M-L-1 6-37675-3M-R-1
Schüco Corona CT 70	6-37675-2T-L-1 6-37675-2T-R-1
Schüco Corona CT 70	6-38986-01-L-1 6-38986-01-R-1
Schüco Corona SI 82	6-37675-2T-L-1 6-37675-2T-R-1
Schüco Corona SI 82	6-38986-01-L-1 6-38986-01-R-1
Spectus	
Spectus TK 60	6-37675-2T-L-1 6-37675-2T-R-1
Spectus TK 71	6-37675-49-L-1 6-37675-49-R-1
Stöckel	
Stöckel EcoStep	6-37654-1U-L-1 6-37654-1U-R-1
Veka	
Veka Alphasline 90 MD	6-37675-2T-L-1 6-37675-2T-R-1
Veka Softline 116 SL (house entrance door)	6-37930-01-L-1 6-37930-01-R-1
Veka Softline 116 SL (secondary entrance door)	6-37675-5M-L-1 6-37675-5M-R-1
Veka Softline 70 AD (main entrance)	6-37930-01-L-1 6-37930-01-R-1
Veka Softline 70 AD (secondary entrance door)	6-37675-2T-L-1 6-37675-2T-R-1
^[1] Deadbolt monitoring contact, order number K-19068-00-0-6 ^[2] On request	

PVC profile system	Striker
	With interchangeable latch piece
Dimension L [mm]	216.5
Packing unit	PU = 5
	
Veka	
Veka Softline 82 AD	6-37930-01-L-1 6-37930-01-R-1
Veka Softline 82 MD	6-37675-5M-L-1 6-37675-5M-R-1
Veka Softline 82, 2-leaf doors	6-37930-09-L-1 6-37930-09-R-1
Veka Softline AD 13	6-37675-2T-L-1 6-37675-2T-R-1
Veka Softline 58 AD	6-37610-87-L-1 6-37610-87-R-1
Veka Softline 58 MD	6-37610-87-L-1 6-37610-87-R-1
Veka Topline AD (gasket pressure + 2.5 mm)	6-37675-4C-L-1 6-37675-4C-R-1
Veka Topline AD	6-37654-4H-L-1 6-37654-4H-R-1
Veka Topline AD (gasket pressure + 1 mm)	6-37675-3Y-L-1 6-37675-3Y-R-1
Veka Topline AD	6-37675-2T-L-1 6-37675-2T-R-1
Veka Topline AD	6-37654-88-L-1 6-37654-88-R-1
Veka Topline AD, 2-leaf doors	6-38927-01-L-1 6-38927-01-R-1
Veka Topline MD	6-37675-2T-L-1 6-37675-2T-R-1
Wymar	
Wymar 2000	6-37675-91-L-1 6-37675-91-R-1
Wymar 2500	6-37675-3X-L-1 6-37675-3X-R-1
Wymar 3000	6-37654-4L-L-1 6-37654-4L-R-1
Wymar 3000 (gasket pressure + 1 mm)	6-37675-3Z-L-1 6-37675-3Z-R-1
2-leaf doors, 16 mm hardware groove profile, 13 mm axis	6-37632-1A-L-1 6-37632-1A-R-1
2-leaf doors, 16 mm hardware groove profile, 9 mm axis	6-37610-1J-L-1 6-37610-1J-R-1
^[1] Deadbolt monitoring contact, order number K-19068-00-0-6 ^[2] On request	

Classification codes and abbreviations



A – Z of abbreviations

All relevant abbreviations are listed with explanations here:

A	Fail-secure
AC	Alternating current
DC	Direct voltage
DL	DIN left
DR	DIN right
E	Mechanical unlocking: electric strike with operation pin in the latch area for permanent mechanical release of the keeper
ED	Duty ratio: these electric strikes are resistant to continuous current and operated with direct voltage, normally via time switch or contactor
F	Latch slide cover: cutout not required for the front profile edge
K	Monitoring contact for requesting lock status as potential-free changeover contact
METÖ	Mechanical electric strike for 2-leaf panic doors
R	Fail-safe
S	Stronger latch spring 60 N
V	High-preload controller: improves the DC pre-load to min. 250 N

Classification code according to DIN EN 14846 : 2008-11

EN 14846* is applicable to electromechanical locks and strikers. An electric strike is an example of an electromechanical striker.

Various terms are defined in chapter 3 of EN 14846.

The following can be found under 3.2:

electromechanical striker (or electric strike) component which is attached to the frame and effects a locking and/or unlocking process through electrical actuation.

According to the above standard, electromechanically-actuated electric strikes must be grouped according to a nine-digit classification system.

This nine-digit classification code is subdivided into:

Digit 1: Category of use

Digit 2: Durability and load on the latch

Digit 3: Door mass and closing force

Digit 4: Suitability for use on fire/smoke protection doors

Digit 5: Safety

Digit 6: Corrosion, temperature and humidity resistance

Digit 7: High protective effect with drilling resistance

Digit 8: Security – electrical function

Digit 9: Security – electrical manipulation

Electric strikes in the ET 8 series are approved in accordance with EN 14846:2008.11.

- **Armature contact:**
an armature contact is a built-in switch or sensor that signals whether the electric strike is locked or unlocked.
- **Fail-secure:**
means that the door can only be opened when the contact is closed. Consequently, this current feed can also be used for fire protection doors. A buzzer sound is audible during AC operation, and during DC operation there is no sound.
- **Surface attachments:**
surface attachments are keepers that can be adjusted in relation to the latch. This allows the door gasket pressure to be optimally adjusted.
- **Interchangeable latch pieces (AT):**
strikers are prepared for electric strike. If an electric strike is not required, a dummy (interchangeable latch piece) is used. If an electric strike is to be fitted at a later date, the interchangeable latch piece is simply replaced by the electric strike.
- **Diode:**
electric strikes are equipped with a coil which can under certain conditions produce enough energy to damage other connected devices, e.g. access control system, when switching off. Diodes are used to prevent this.
- **100 % duty ratio:**
100 % duty ratio means that current can be supplied continuously to the electric strike up to a certain voltage depending on the electric strike variant (12 V or 24 V) without overheating.
- **Latch spring:**
the latch spring acts as a blocking device for the door when the daytime release function is active. The stronger the latch spring, the greater the pressure that must be applied to the door. Depending on the door system and execution of the door gaskets, a stronger latch spring may be advantageous during operation with daytime release function (operation pin) to ensure the door closes securely. A weak latch spring means that less force is required to open the door and less noise is produced. It is ideally used on doors equipped with door closers or swing-door drive.
- **Latch slide cover:**
a latch slide cover refers to a slanting sliding surface along which a latch glides and is pushed back up to the surface of the striker. Latch slide covers dispense with the need for a cutout in the profile edge on the frame side.
- **Direct voltage (DC):**
the switch-on currents present when operating with direct voltage (DC) are higher than when operating with alternating voltage (AC). In addition the preload unlocking is weaker. With direct voltage, a buzzer sound is not audible when the door is released.
- **Mechanical unlocking:**
electric strikes can be equipped with a small operation pin for mechanical unlocking that permanently releases the keeper.
- **METÖ:**
refers to mechanical and electric strikes for 2-leaf full panic doors with shoot-bolt locks.
- **Monitoring contact (RR):**
the monitoring contact is a switch installed in the electric strike. The checkback signal is transmitted via the latch which triggers the monitoring contact and signals whether the door is open or closed. A monitoring contact is used for the access control and for monitoring the door opening time.
- **Fail-safe:**
means that the electric strike is only locked while current is flowing. If the current is switched off or interrupted by a power failure, the keeper can be moved and the door opened, which means that quiescent current (fail-safe) is not approved for fire protection doors.
- **Voltage range:**
the electric strike can be operated within a voltage range. Depending on the electric strike variant, e.g. from 9 V to 24 V AC / DC.
- **Adjustment range:**
to increase or reduce the door gasket pressure. Electric strikes are equipped with a keeper which can be adjusted and fixed so the latch position can be adjusted.
- **Alternating voltage (AC):**
the switch-on currents that are present when operating with alternating voltage (AC) are lower than with direct voltage (DC). With alternating voltage, a buzzer sound can be heard when the door is released.



WINDOW TECHNOLOGY
DOOR TECHNOLOGY
AUTOMATIC ENTRANCE SYSTEMS
BUILDING MANAGEMENT SYSTEMS

Gretsch-Unitas GmbH
Baubeschläge
Johann-Maus-Str. 3
71254 Ditzingen
Germany
Tel. +49 7156 301-0
Fax +49 7156 301-77980

BKS GmbH
Heidestr. 71
42549 Velbert
Germany
Tel. +49 2051 201-0
Fax +49 2051 201-9733

GU Automatic GmbH
Karl-Schiller-Str. 12
33397 Rietberg
Germany
Tel. +49 5244 9075-100
Fax +49 5244 9075-599

www.g-u.com

Securing technology for you

