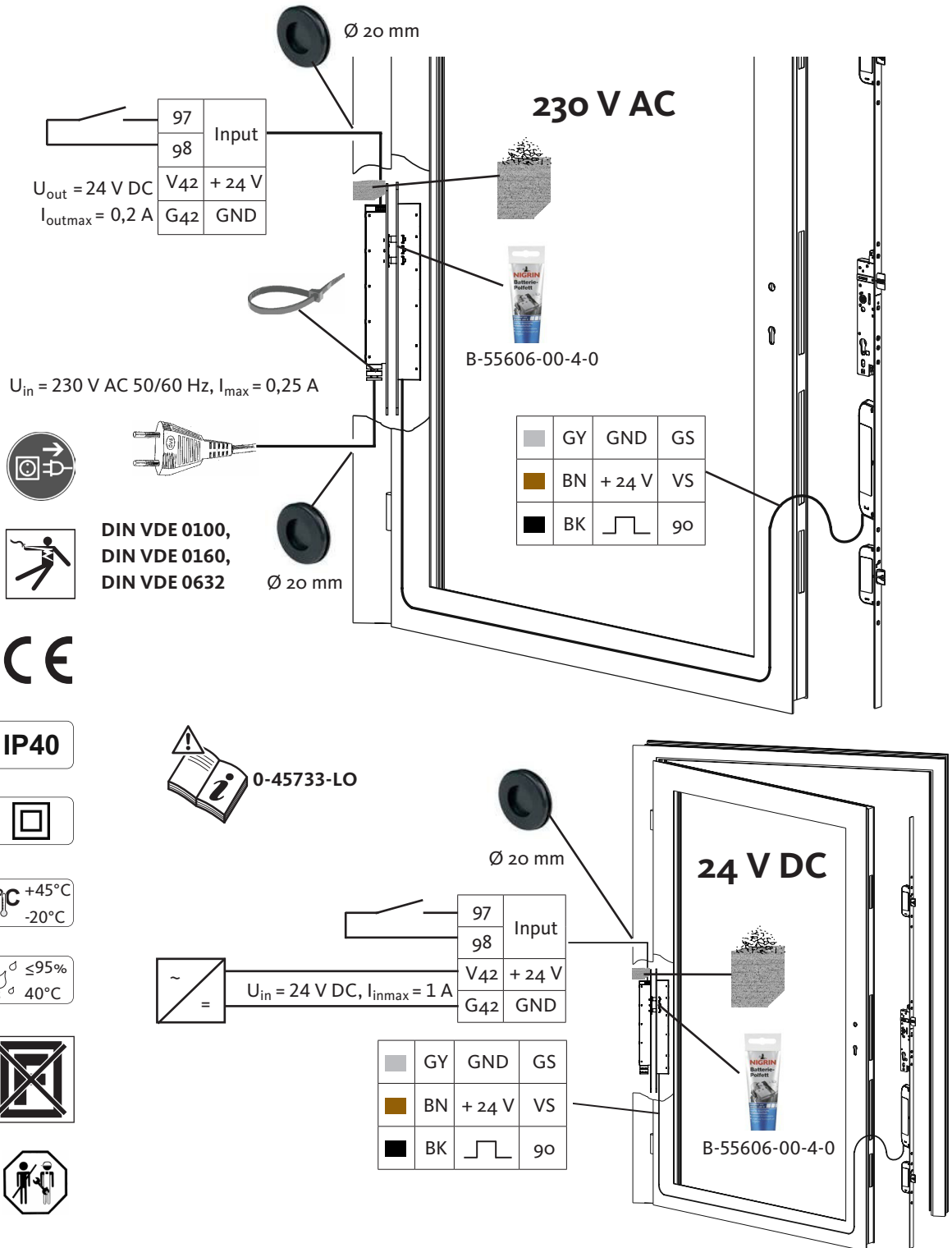
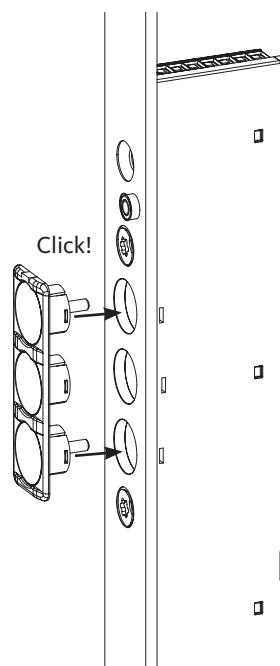
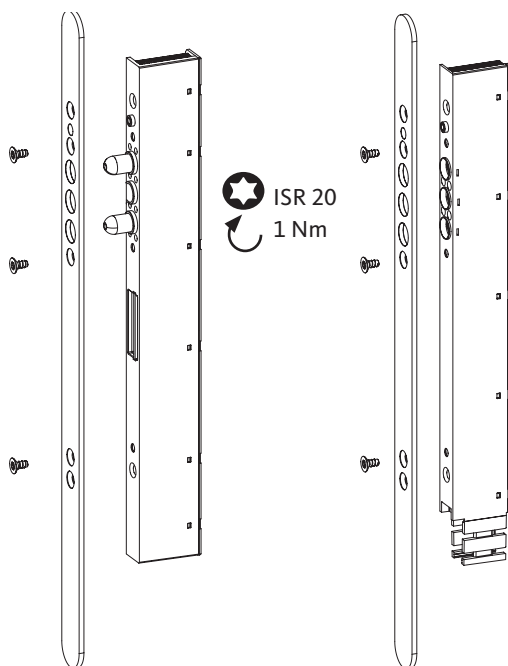


B-55600-34-4-6 SECUREconnect 50

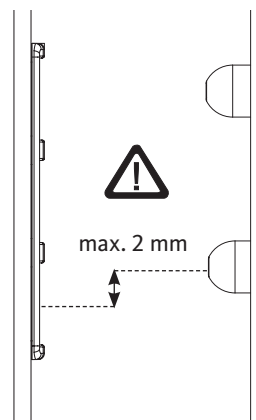
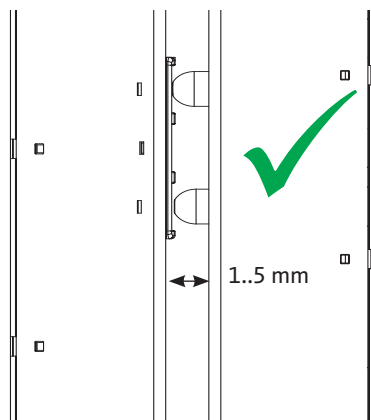
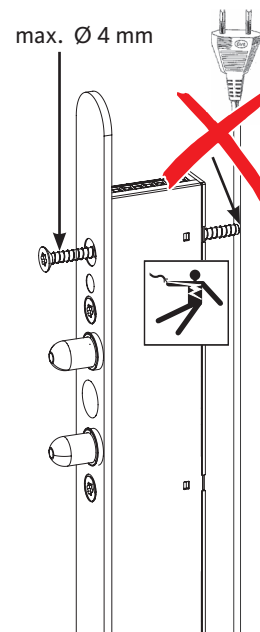
Odvajanje od mreže vrši se izvlačenjem mrežnog utikača iz utičnice. Utičnica mora biti lako dostupna. Ukoliko je SECUREconnect 50 trajno priključen na opskrbu električnom energijom, potrebno je osigurati mogućnost provedbe isključenja pomoću neke prikladno označene naprave (npr. sklopke, automatskog osigurača na kućnom razdjelniku).

Disconnecting the unit from the mains is done by pulling the power plug from the socket. The socket must be freely accessible. If SECUREconnect 50 is connected to the electricity supply permanently, it is necessary to provide for switch off by means of a suitable and appropriately marked device on the building's distribution board, e.g. a switch, fuse, or automatic circuit breaker.

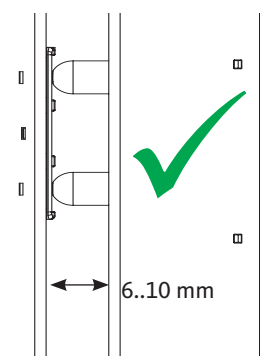
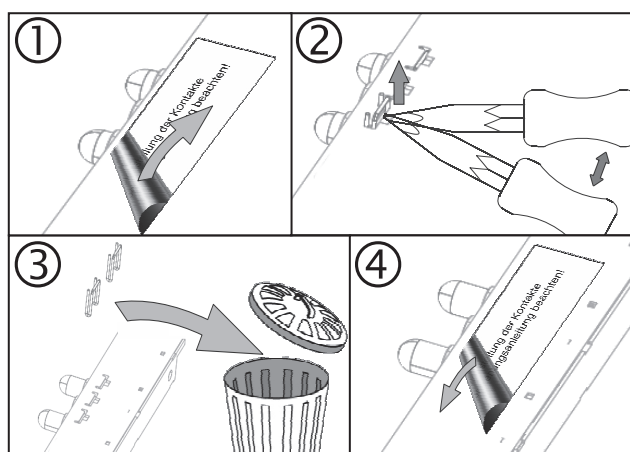
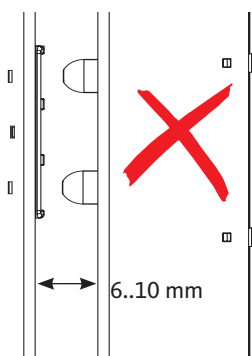




max. Ø 4 mm



0-45733-LO



Izdavač | Editor:
BKS GmbH
Heidestr. 71
42549 Velbert, Deutschland
Tel. +49 (0) 2051 201-0
Fax +49 (0) 2051 201-9733
www.g-u.com



U slučaju česte uporabe dodavajte mast za kontakte B-55606-00-4-0 kako bi zaštitili kontakte SECUREconnect-a od vlage i hrđanja.

For frequent use we recommend to renew the B-55606-00-4-0 contact grease to protect the contacts of the SECUREconnect against humidity and corrosion.

