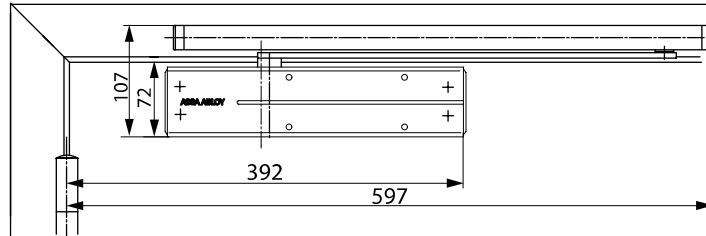
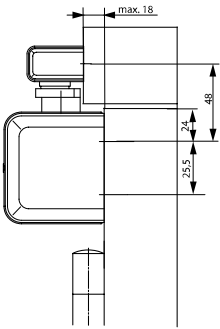


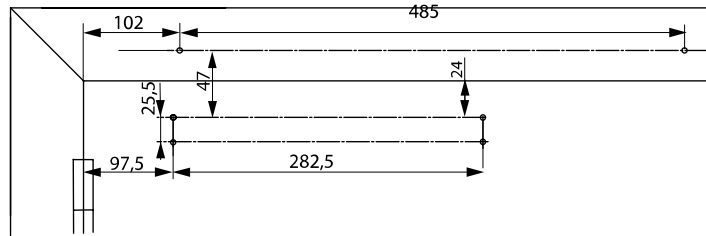
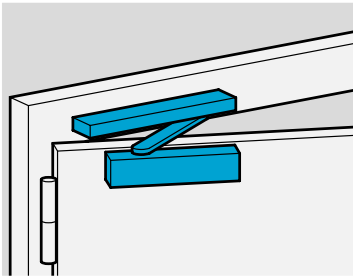
DC340

Dimensional drawings



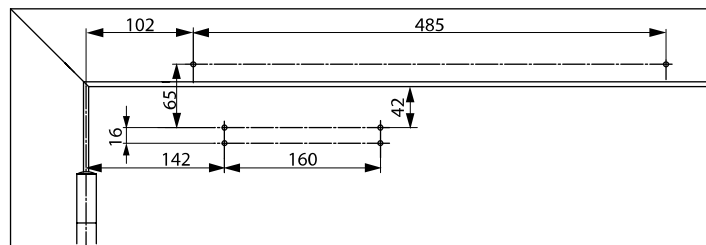
Required space on doors

Left handed shown in diagram
Right handed is the reverse



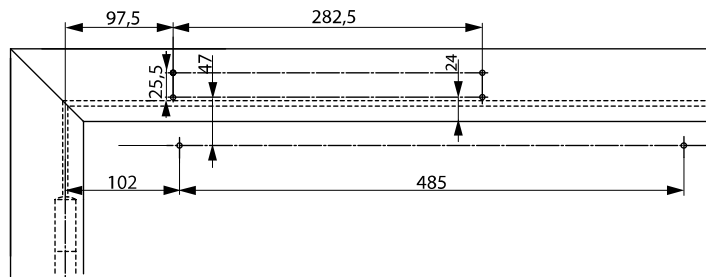
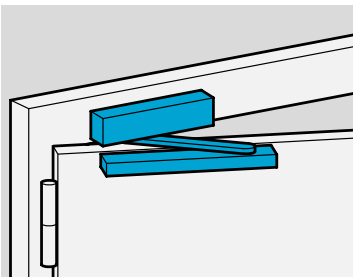
Installation dimensions for direct mounting

Left handed shown in diagram
Right handed is the reverse



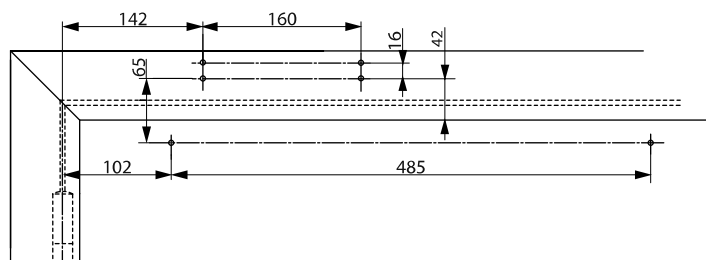
Installation dimensions with mounting plate

In compliance with EN 1154, Supplement 1, or for doors where direct mounting is not possible.
Left handed shown in diagram
Right handed is the reverse



Frame mounting

Closer on hinge side of door frame.
Left handed shown in diagram
Right handed is the reverse

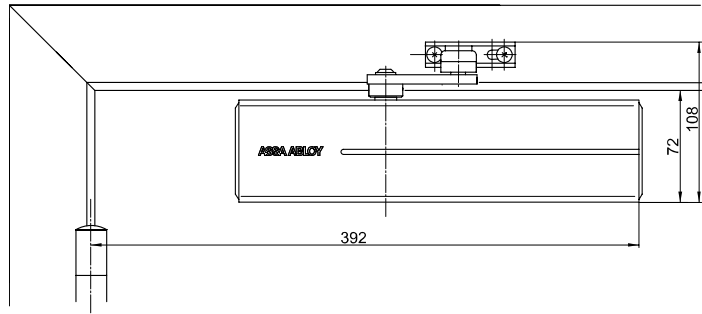
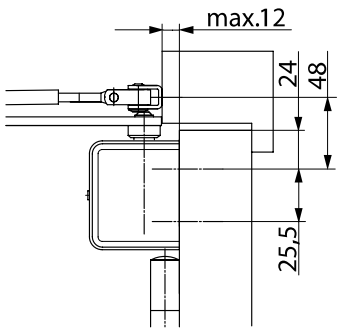


Installation dimensions with mounting plate for frame mounting

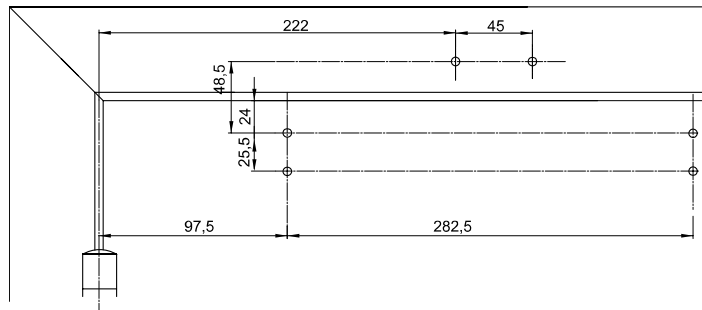
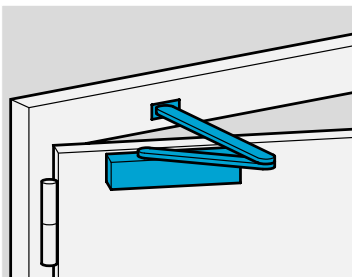
Closer on non-hinge side of door frame. For doors where direct mounting is not possible.
Left handed shown in diagram
Right handed is the reverse

DC340

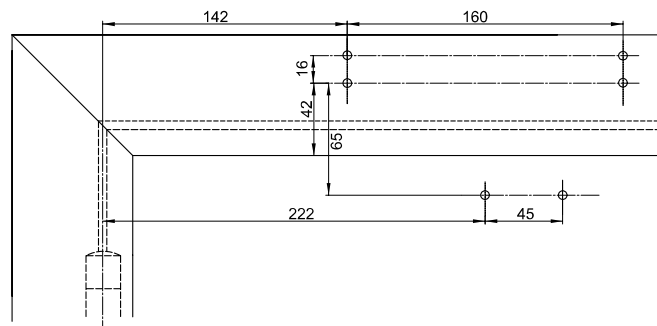
Dimensional drawings



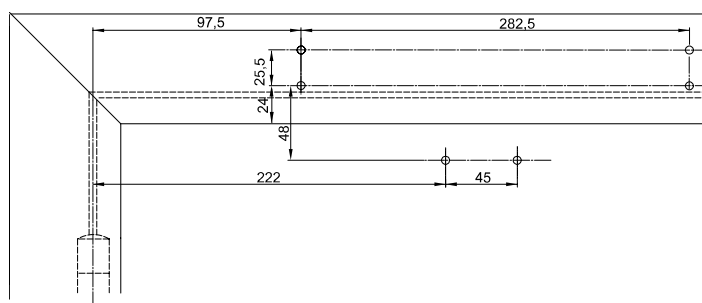
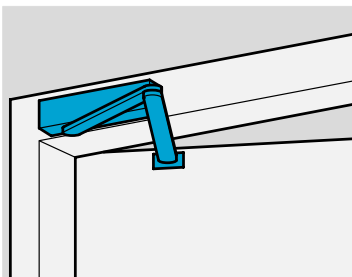
Regular door mounting
 Left handed door shown in diagram
 Right handed is the reverse



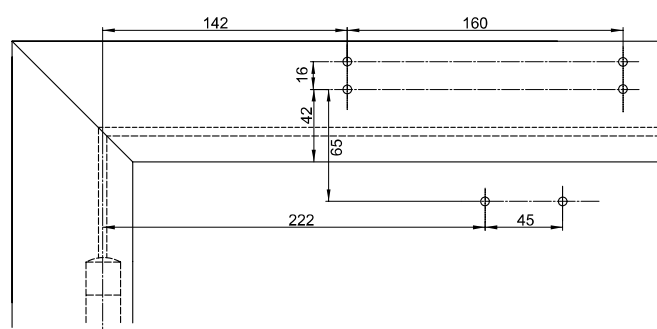
Installation dimension for direct mounting
 Left handed shown in diagram
 Right handed is the reverse



Installation dimensions with mounting plate
 In compliance with EN 1154, Supplement 1, or for doors where direct mounting is not possible.
 Right handed door shown in diagram
 Left handed door is the reverse



Frame mounting
 Closer on non-hinge side of door frame
 Right handed door shown in diagram
 Left handed door is the reverse



Installation dimensions with mounting plate for frame mounting
 Closer on non-hinge side of door frame. For doors where direct mounting is not possible.
 Right handed door shown in diagram
 Left handed door is the reverse