


20

# FINGERPRINT READERS



TOUCH  TO OPEN





Navkom is one of the leading European developers and producers of biometric access control devices, mainly for private use and small companies. In addition to offering our own range of products, we are developing and producing custom solutions for entrance door manufacturers and other access control related companies.

The company started working with biometrics in 2006 and quickly became recognized for simple yet powerful solutions and set new standards for home biometric market. Today, Navkom offers a full range of products for more comfortable and secure access to your homes and offices.

When designing our products, we follow a few simple but clear guidelines: quality and security, combined with user friendliness and modern design. We started the company with a mission to make biometric products available for everyday use and with the number of sold products well in 5 digits, we know we are on the right track.



<b>BIOREADER - FINGERPRINT READER</b> .....	→	6
<b>BIOHANDLE - R9 SERIES</b> .....	→	10
<b>BIOHANDLE - R4 SERIES</b> .....	→	12
<b>BIOHANDLE - QE SERIES</b> .....	→	14
<b>BIOHANDLE - QM SERIES</b> .....	→	16
<b>BIOHANDLE - TM SERIES</b> .....	→	18
<b>MODUL - INTEGRATION-READY FINGERPRINT READER</b> .....	→	20
<b>MODUL - OPTIONS</b> .....	→	21
<b>BIOPASS - FINGERPRINT READER FOR FLUSH MOUNTING</b> .....	→	22
<b>TOUCHPAD - CODE KEYPAD</b> .....	→	24
<b>CONTROL UNIT TYPES</b> .....	→	26
<b>TYPICAL SYSTEM DESIGN INSIDE THE DOOR LEAF</b> .....	→	30
<b>TYPICAL SYSTEM DESIGN OUTSIDE THE DOOR LEAF</b> .....	→	31
<b>ACCESSORIES</b> .....	→	32

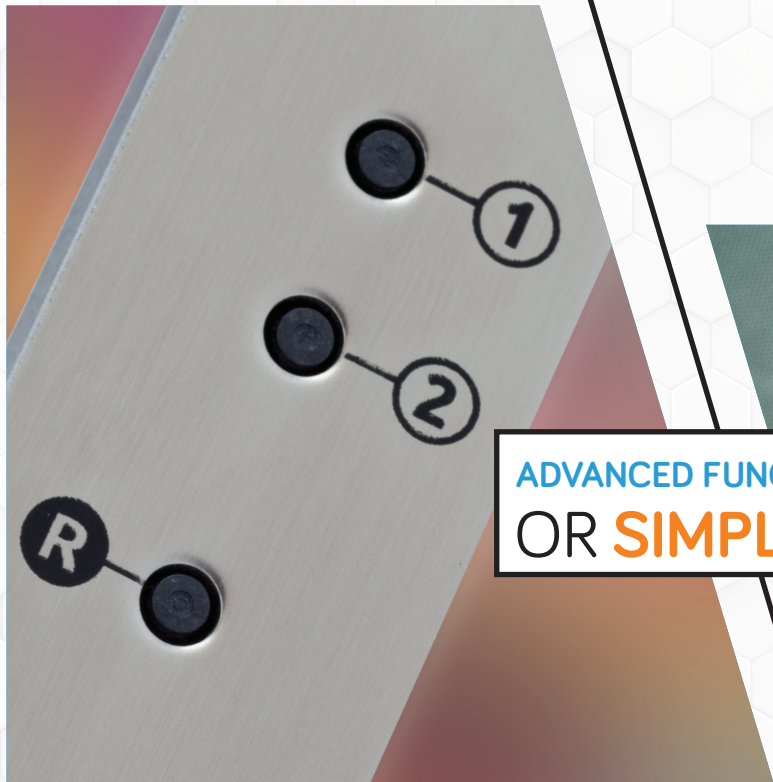
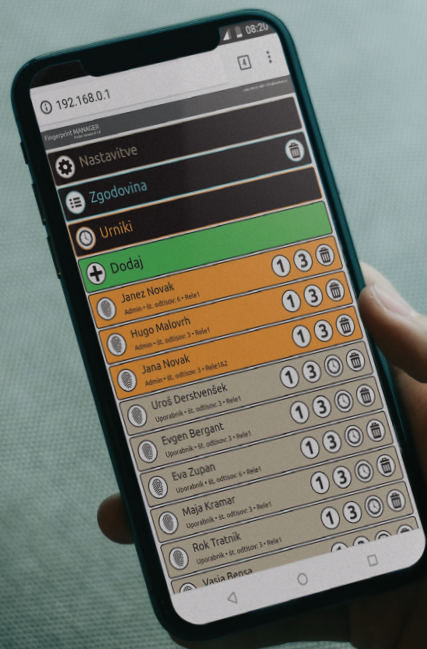


## DIGITAL CONTROL

BY THE MEANS OF  
iPHONE OR ANDROID APP



ADVANCED FUNCTIONALITY  
OR **SIMPLICITY?**





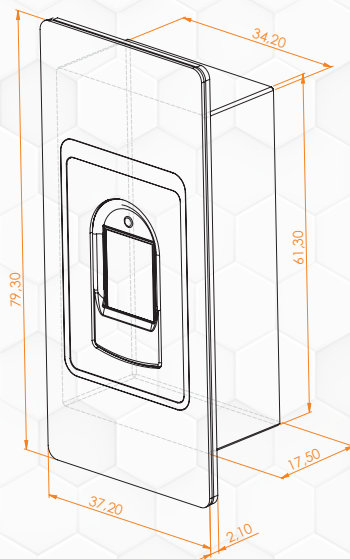
## ANALOG CONTROL

BY THE MEANS OF BUTTONS  
ON THE CONTROL UNIT OR THE REMOTE CONTROL




## COMPARISON BETWEEN DIGITAL AND ANALOG CONTROL

 STAND ALONE	1000	fingerprint capacity	500	 WI-FI
	3	number of administrators	1-500	
	✓	blue backlight on/off	✓	
	✓	security lockdown	✓	
	✗	LED control	✓	
	✗	history of events	✓	
	✗	relay setup	✓	
	✗	entrance schedules for users	✓	
	✗	free pass mode	✓	
	✗	device backup & transfer	✓	



### R5BR1

 <b>STAND ALONE</b>	ADMINISTRATORS	<b>3</b>	<b>COMPATIBLE WITH CONTROL UNITS:</b>  R5CU-103, R5CU-201, R5CU-202, R5CU-302
	MEMORY	<b>1000 fingers</b>	
	RELAYS	<b>2</b>	

# R5BR2



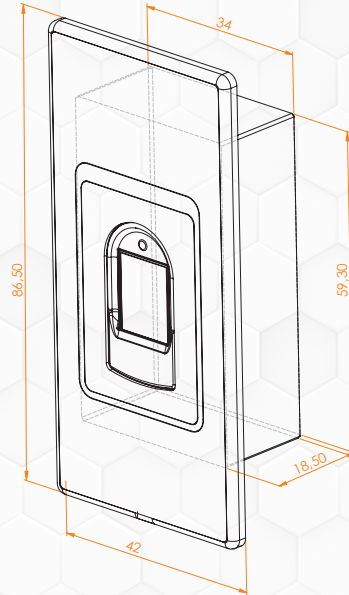
ADMINISTRATORS 3

MEMORY 1000 fingers

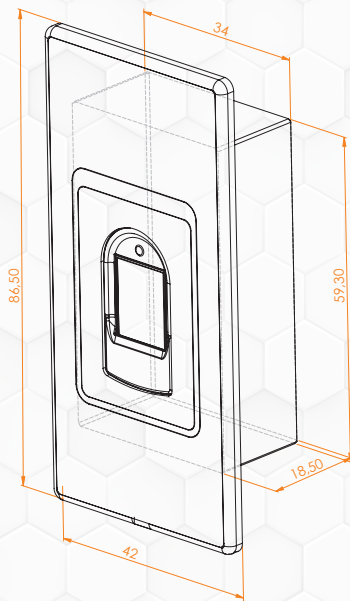
RELAYS 2

COMPATIBLE WITH  
CONTROL UNITS:


R5CU-103, R5CU-201,  
R5CU-202, R5CU-302







### R5BR3

 <b>STAND ALONE</b>	ADMINISTRATORS	<b>3</b>	<b>COMPATIBLE WITH CONTROL UNITS:</b>  R5CU-103, R5CU-201, R5CU-202, R5CU-302
	MEMORY	<b>1000 fingers</b>	
	RELAYS	<b>2</b>	

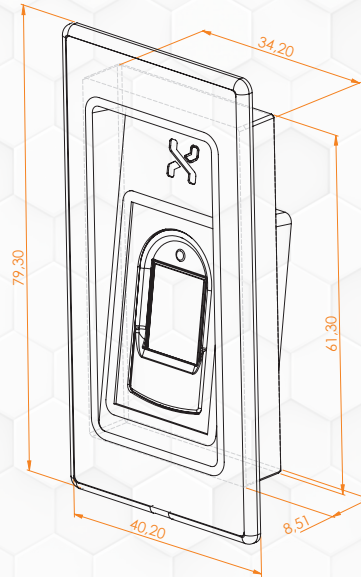
## R6BR4



ADMINISTRATORS	1-500
MEMORY	500 fingers
RELAYS	2

### COMPATIBLE WITH CONTROL UNITS:

R6CU-103, R6CU-201,  
R6CU-202



## R5BR4



ADMINISTRATORS	3
MEMORY	1000 fingers
RELAYS	2



### COMPATIBLE WITH CONTROL UNITS:

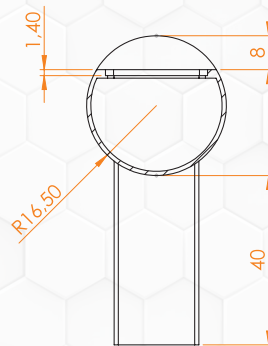
R5CU-103, R5CU-201,  
R5CU-202, R5CU-302

FINGERPRINT READER

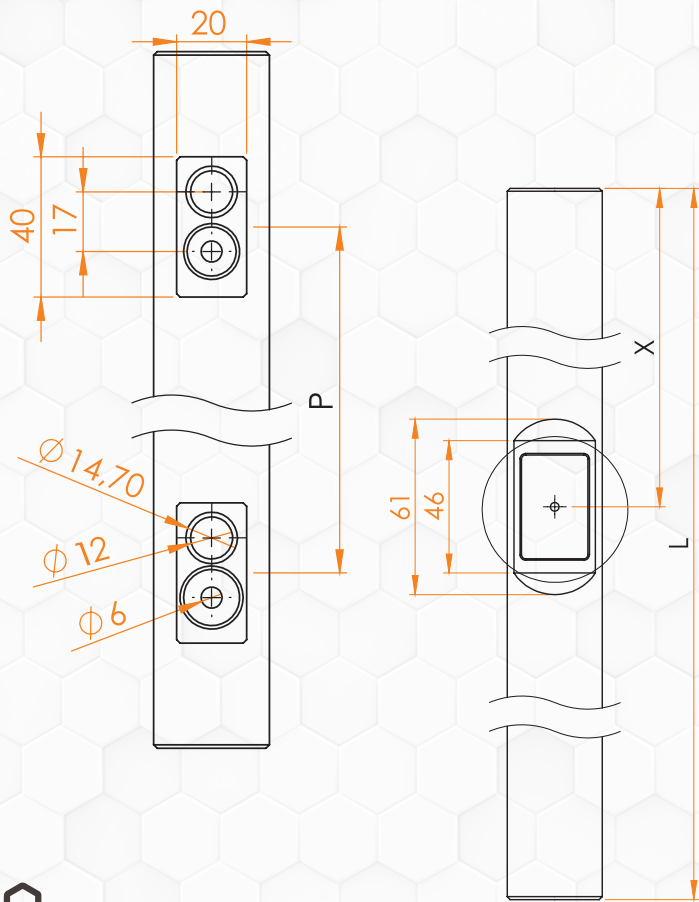


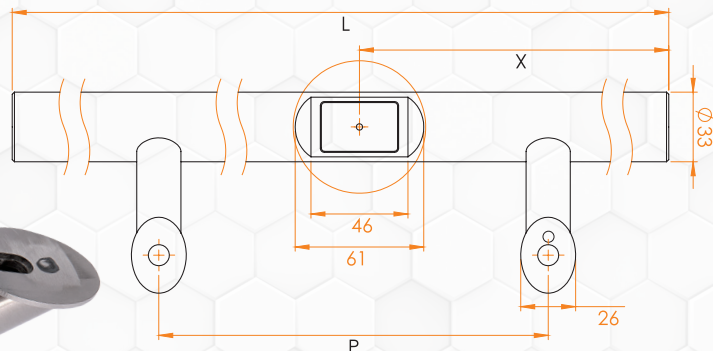



<b>R9</b>			 WI-FI		 STAND ALONE	
Ø 33 mm 90° holders			READER FRONT	READER BACK	READER FRONT	READER BACK
L	P	X				
600 mm	400 mm	200 mm	R6R9-506	R6R9-706	R5R9-506	R5R9-706
800 mm	600 mm	200 mm	R6R9-508	R6R9-708	R5R9-508	R5R9-708
1000 mm	800 mm	240 mm	R6R9-510	R6R9-710	R5R9-510	R5R9-710
1500 mm	1100 mm	440 mm	R6R9-515	R6R9-715	R5R9-515	R5R9-715
1800 mm	1400 mm	540 mm	R6R9-518	R6R9-718	R5R9-518	R5R9-718










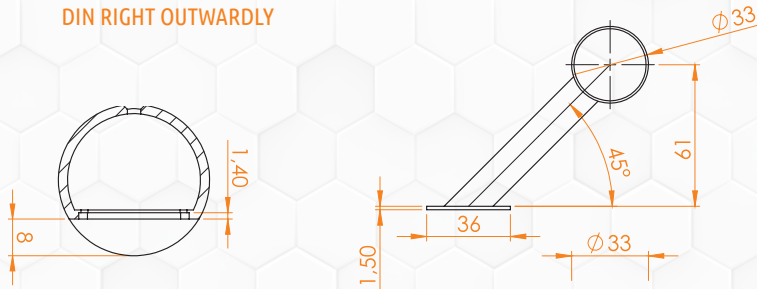
R4 Ø 33 mm 45° holders			 STAND ALONE			
L	P	X	READER FRONT	READER BACK	READER FRONT	READER BACK
			DIN RIGHT INWARDLY DIN LEFT OUTWARDLY		DIN LEFT INWARDLY DIN RIGHT OUTWARDLY	
600 mm	400 mm	200 mm	R5R4-506-R	R5R4-706-R	R5R4-506-L	R5R4-706-L
800 mm	600 mm	200 mm	R5R4-508-R	R5R4-708-R	R5R4-508-L	R5R4-708-L
1000 mm	800 mm	240 mm	R5R4-510-R	R5R4-710-R	R5R4-510-L	R5R4-710-L
1500 mm	1100 mm	440 mm	R5R4-515-R	R5R4-715-R	R5R4-515-L	R5R4-715-L
1800 mm	1400 mm	540 mm	R5R4-518-R	R5R4-718-R	R5R4-518-L	R5R4-718-L

<b>R4</b> Ø 33 mm 45° holders						
<b>L</b>	<b>P</b>	<b>X</b>	READER FRONT	READER BACK	READER FRONT	READER BACK
			DIN RIGHT INWARDLY DIN LEFT OUTWARDLY		DIN LEFT INWARDLY DIN RIGHT OUTWARDLY	
600 mm	400 mm	200 mm	R6R4-506-R	R5R4-706-R	R6R4-506-L	R6R4-706-L
800 mm	600 mm	200 mm	R6R4-508-R	R5R4-708-R	R6R4-508-L	R6R4-708-L
1000 mm	800 mm	240 mm	R6R4-510-R	R5R4-710-R	R6R4-510-L	R6R4-710-L
1500 mm	1100 mm	440 mm	R6R4-515-R	R5R4-715-R	R6R4-515-L	R6R4-715-L
1800 mm	1400 mm	540 mm	R6R4-518-R	R5R4-718-R	R6R4-518-L	R6R4-718-L

DIN RIGHT INWARDLY  
DIN LEFT OUTWARDLY





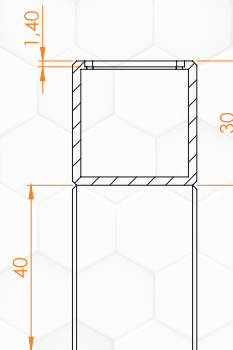
DIN LEFT INWARDLY  
DIN RIGHT OUTWARDLY

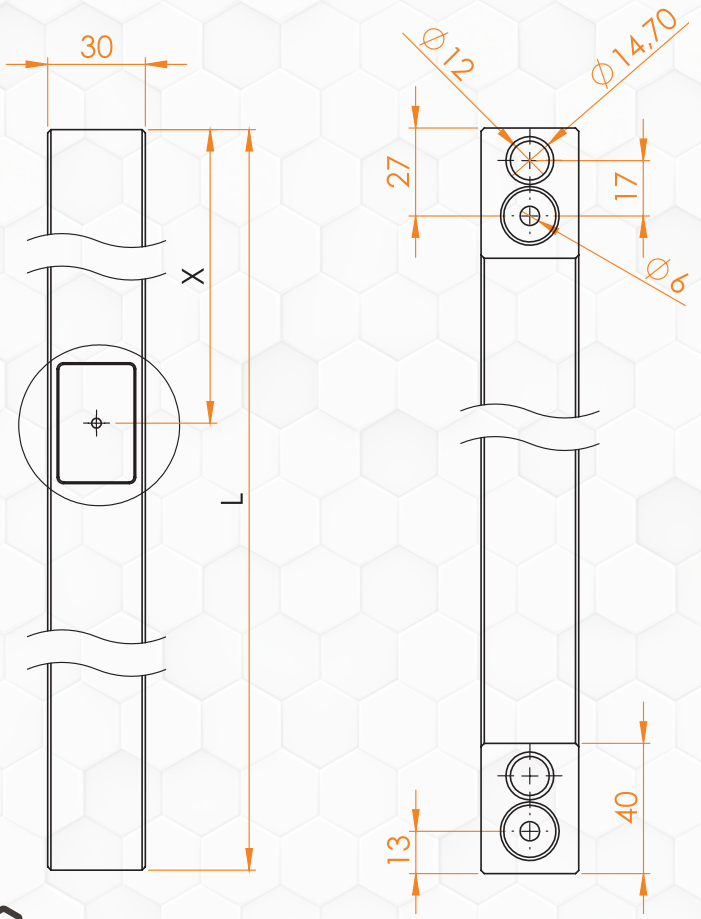








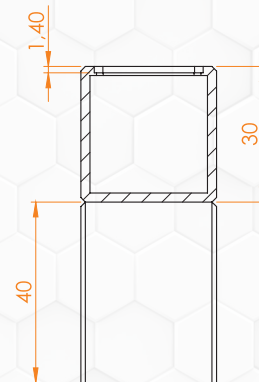
QE 30 x 30 mm		 WI-FI		 STAND ALONE	
L	X	READER FRONT	READER BACK	READER FRONT	READER BACK
600 mm	200 mm	R6QE-506	R6QE-706	R5QE-506	R5QE-706
800 mm	200 mm	R6QE-508	R6QE-708	R5QE-508	R5QE-708
1000 mm	240 mm	R6QE-510	R6QE-710	R5QE-510	R5QE-710
1500 mm	440 mm	R6QE-515	R6QE-715	R5QE-515	R5QE-715
1800 mm	540 mm	R6QE-518	R6QE-718	R5QE-518	R5QE-718



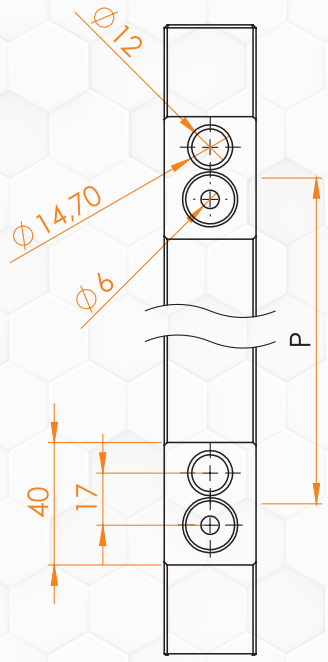
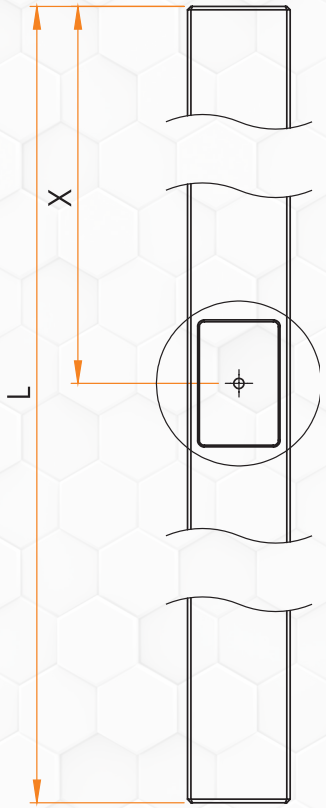




QM			30 x 30 mm		 WI-FI	 STAND ALONE
L	P	X	READER FRONT	READER BACK	READER FRONT	READER BACK
600 mm	400 mm	200 mm	R6QM-506	R6QM-706	R5QM-506	R5QM-706
800 mm	600 mm	200 mm	R6QM-508	R6QM-708	R5QM-508	R5QM-708
1000 mm	800 mm	240 mm	R6QM-510	R6QM-710	R5QM-510	R5QM-710
1500 mm	1100 mm	440 mm	R6QM-515	R6QM-715	R5QM-515	R5QM-715
1800 mm	1400 mm	540 mm	R6QM-518	R6QM-718	R5QM-518	R5QM-718

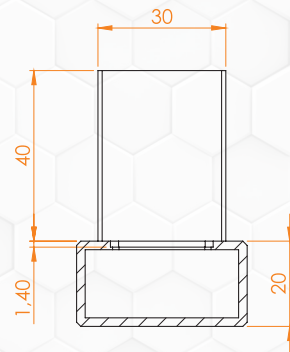


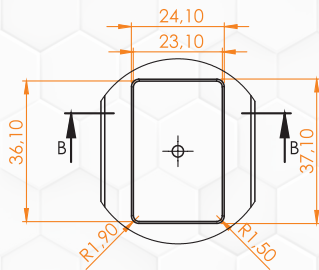
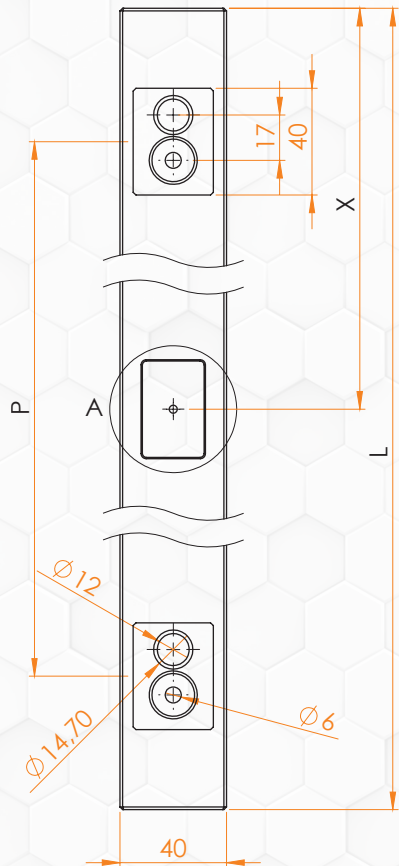






TM			40 x 20 mm		 WI-FI	 STAND ALONE
L	P	X	READER FRONT	READER BACK	READER FRONT	READER BACK
600 mm	400 mm	200 mm	R6TM-506	R6TM-706	R5TM-506	R5TM-706
800 mm	600 mm	200 mm	R6TM-508	R6TM-708	R5TM-508	R5TM-708
1000 mm	800 mm	240 mm	R6TM-510	R6TM-710	R5TM-510	R5TM-710
1500 mm	1100 mm	440 mm	R6TM-515	R6TM-715	R5TM-515	R5TM-715
1800 mm	1400 mm	540 mm	R6TM-518	R6TM-718	R5TM-518	R5TM-718

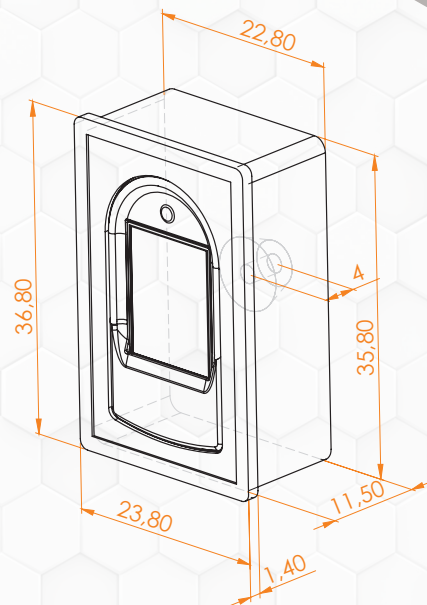







# Modul FINGERPRINT READER


A small sized fingerprint reader, primarily developed for door handle producers but suitable for numerous types of applications (e.g. electrical switch, intercom, POS). Because of its plug&play design and convenient size, it can be easily integrated.



## R6MX-100

 WI-FI	ADMINISTRATORS	1-500	<b>COMPATIBLE WITH CONTROL UNITS:</b> R6CU-103, R6CU-201, R6CU-202
	MEMORY	500 fingers	
	RELAYS	2	

## R5MX-100

 STAND ALONE	ADMINISTRATORS	3	<b>COMPATIBLE WITH CONTROL UNITS:</b> R5CU-103, R5CU-201, R5CU-202, R5CU-302
	MEMORY	1000 fingers	
	RELAYS	2	

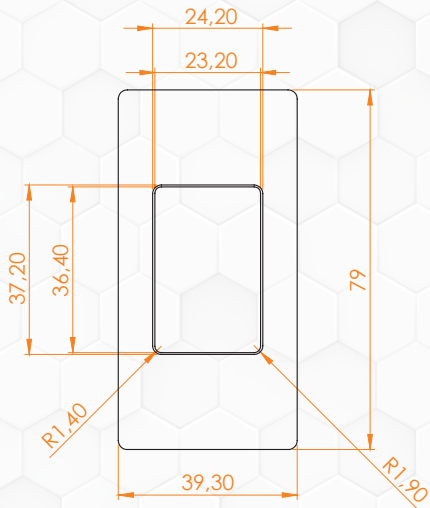
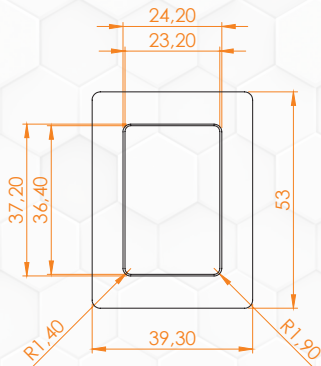
Modul fingerprint reader with a stainless steel frame (for covering larger holes). Available in two dimensions.



**R5MX-300**



**R6MX-300**



**R5MX-200**



**R6MX-200**



# Biopass FINGERPRINT READER FOR FLUSH MOUNTING

Biopass fingerprint reader is designed for flush mounting. It comes in a package which also contains R5CU-303 control unit and DIN12DNP power supply. It is available only in Wi-Fi version.

R6BPI



R6BPC




R6BPS



R6BPB

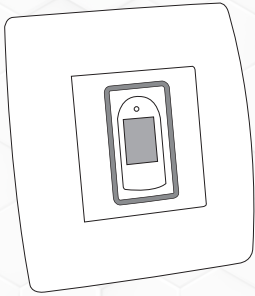


## R6BPI, R6BPC, R6BPS, R6BPB

	ADMINISTRATORS	1-500	COMPATIBLE WITH CONTROL UNITS:  R5CU-303
	MEMORY	500 fingers	
	RELAYS	2	

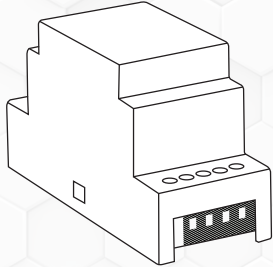


1



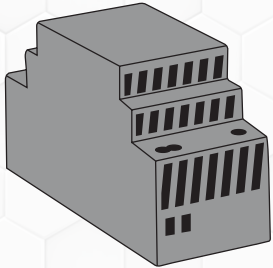
<p>R6BPI 6BPC R6BPS R6BPB</p>	<p>Biopass fingerprint reader.</p>
-------------------------------------------	----------------------------------------

2

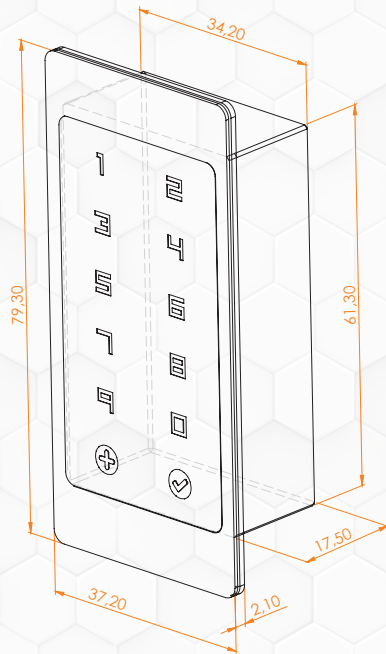


<p>R5CU-303</p>	<p>DIN control unit for Biopass (not compatible with other readers).</p>
-----------------	--------------------------------------------------------------------------------------


3




<p>DNP12DIN</p>	<p>12 V DIN power supply.</p>
-----------------	-------------------------------

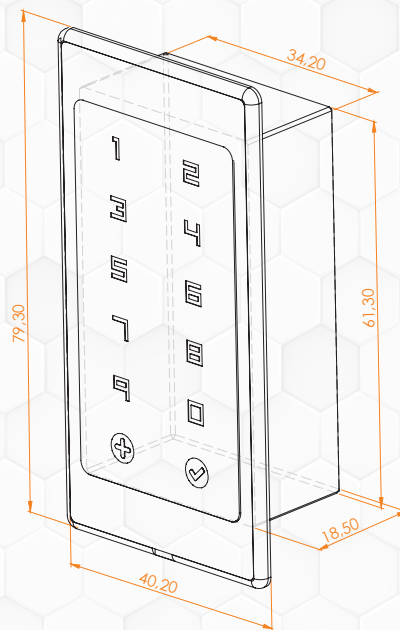


### R5TP1

 <b>STAND ALONE</b>	ADMIN CODES <b>1</b>	<b>COMPATIBLE WITH CONTROL UNITS:</b>  R5CU-103, R5CU-201, R5CU-202, R5CU-301
	MEMORY <b>100 codes</b>	
	RELAYS <b>2</b>	

# R5TP2

 <b>STAND ALONE</b>	ADMIN CODES	1	<b>COMPATIBLE WITH CONTROL UNITS:</b>  R5CU-103, R5CU-201, R5CU-202, R5CU-301
	MEMORY	100 codes	
	RELAYS	2	



CODE KEYPAD

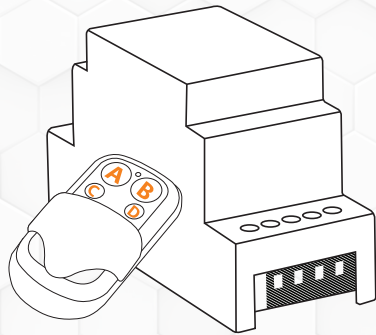






## CONTROL UNIT TYPES

Our systems consist of two units: a fingerprint reader or a keypad, installed outside, and a control unit with relay outputs by which the outdoor unit is programmed. We offer two types of control units: one type can be installed inside the door leaf and the other one is mounted on the DIN rail in the electrical box.



### R5CU-302

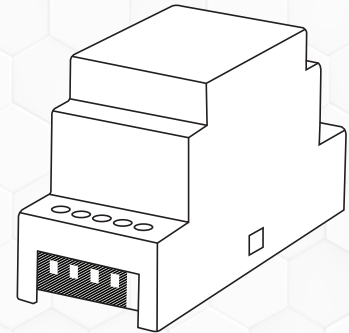


DIN control unit with RF communication and a remote control for programming.  
**Used in combination with R5BR and R5MX.**


### R5CU-301

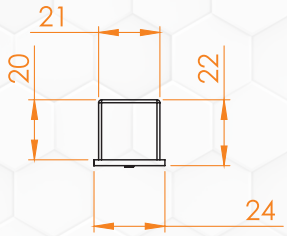


DIN control unit  
**Used in combination with R5TP.**




### R6CU-201

 Control unit for aluminium and PVC doors.  
Used in combination with other cable transfers.



### R5CU-201

 Control unit for aluminium and PVC doors.  
Used in combination with other cable transfers.





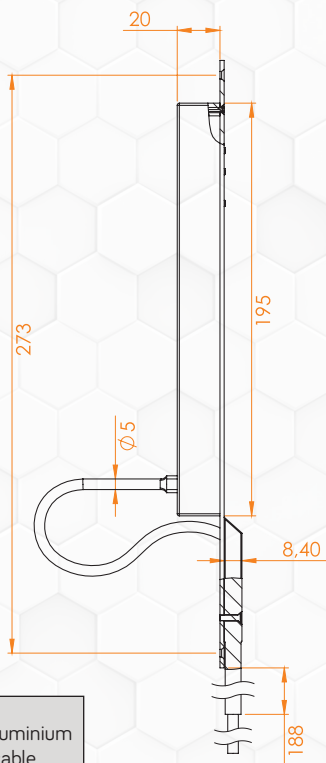
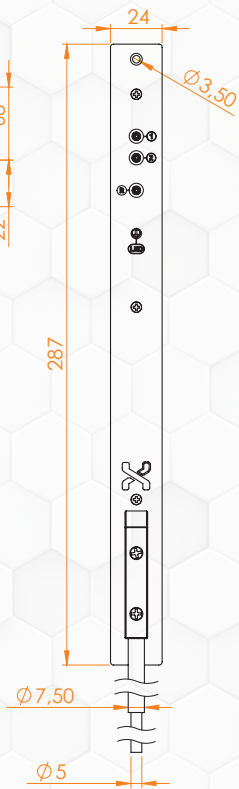
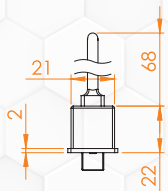
## CONTROL UNIT TYPES

### R5CU-202



STAND  
ALONE

Control unit for aluminium  
and PVC doors, cable  
transfer included.



### R6CU-202



WI-FI

Control unit for aluminium  
and PVC doors, cable  
transfer included.

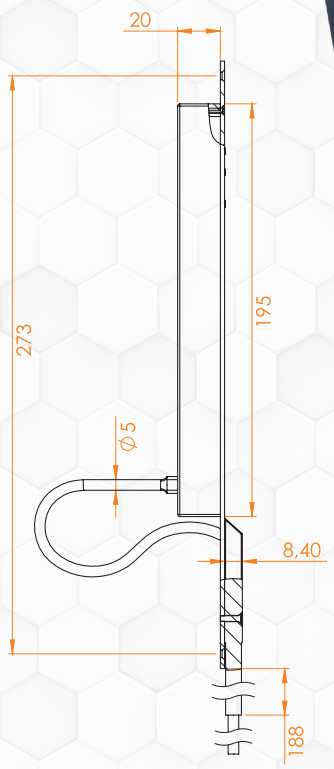
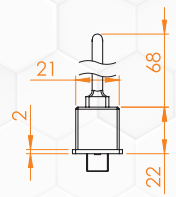
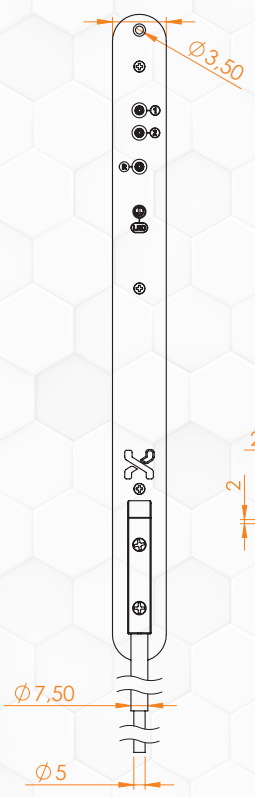




### R5CU-103



Control unit for wooden doors, cable transfer included.



### R6CU-103



Control unit for wooden doors, cable transfer included.

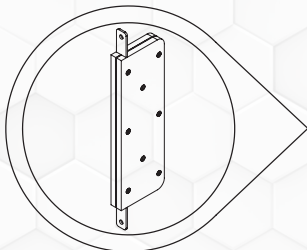
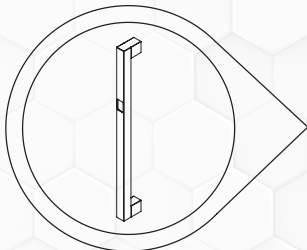




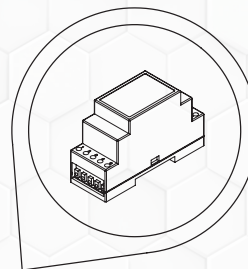
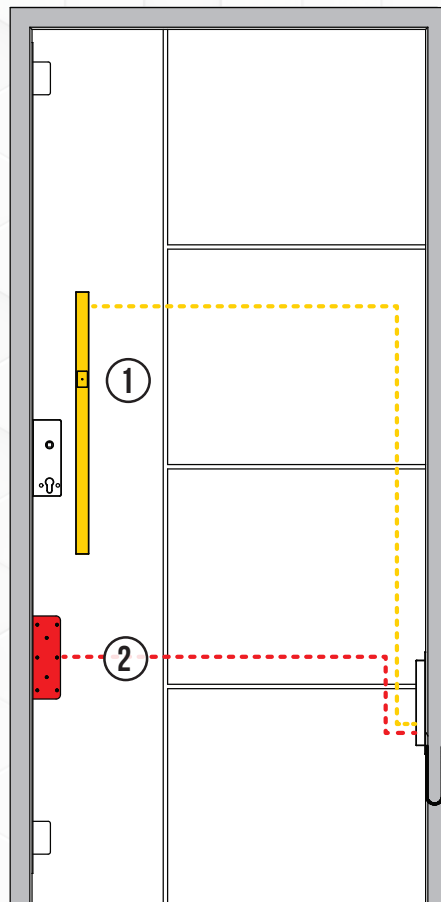
## TYPICAL SYSTEM DESIGN INSIDE THE DOOR LEAF

### R6QE-506

A handle with a Wi-Fi fingerprint reader.

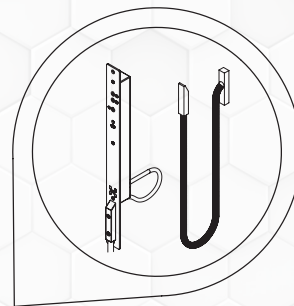
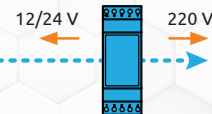


Any motorized electrical lock.



### DIN12DNP

12 V DIN power supply.



### R6CU-202

Wi-Fi control unit for ALU/PVC doors, cable transfer included.

①	Yellow cable for the reader - 350 cm.
②	Red cable for the motor lock - 350 cm.



# TYPICAL SYSTEM DESIGN OUTSIDE THE DOOR LEAF

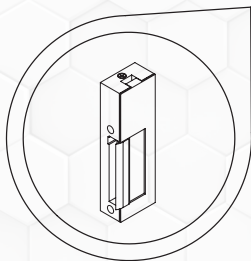


**R5BR4**

Bioreader fingerprint reader.

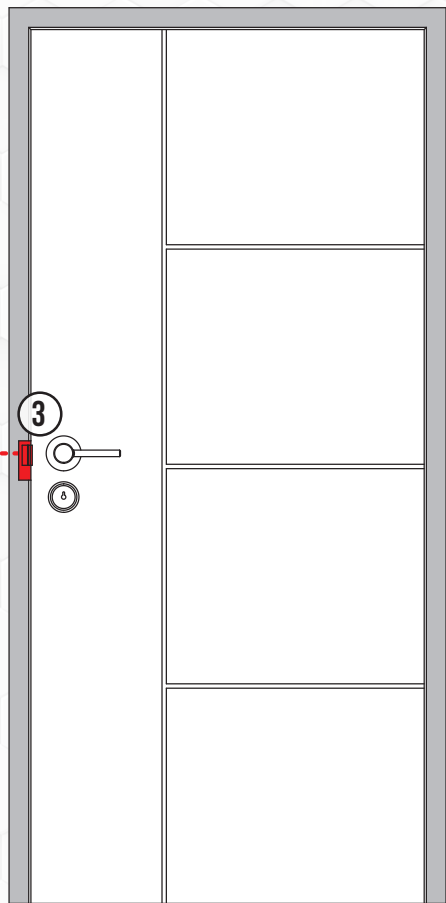


**2**

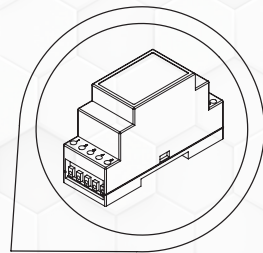


**R5CU-302**

Control unit DIN with RF module and a remote control for programming.

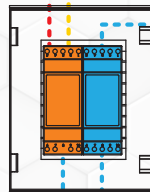


**1**



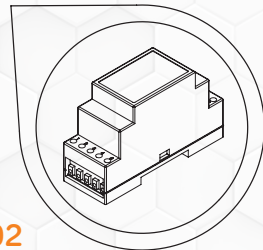
**DIN12DNP**

12 V DIN power supply.



220 V

12/24 V



**1**

**R5CY-0350**

Yellow cable for the reader - 350 cm.

**2**

**R2IN1**

30° stainless steel holder.

**3**

**4**

**3**

Electric strike.

**4**

RF module for remote control.



LCT67	CABLE TRANSFER WITH TWO 4 WAY CONNECTORS
R5CY-0350	YELLOW CABLE FOR THE READER - 350 CM
R5CY-9100	EXTENSION FOR THE YELLOW CABLE - 100 CM
R5CY-9500	EXTENSION FOR THE YELLOW CABLE - 500 CM
R5RF-101	RF MODULE FOR REMOTE CONTROL DOOR OPENING (TWO REMOTE CONTROLS INCLUDED)
R5CR-0350G	RED CABLE FOR MOTOR LOCK G-U - 350 CM
R5CR-0350M	RED CABLE FOR MOTOR LOCK MACO - 350 CM
R5CR-0350R	RED CABLE FOR MOTOR LOCK ROTO - 350 CM
R5CR-0350W	RED CABLE FOR MOTOR LOCK WINKHAUS - 350 CM
R5CR-0350X	RED CABLE FOR A MOTOR LOCK WITHOUT A DESIGNATED CONNECTOR (i.e. FUHR) - 350 CM
R5CR-0350K	RED CABLE FOR MOTOR LOCK KFV - 350 CM
R5CR-9100	EXTENSION FOR THE RED CABLE - 100 CM
R5CW-CFU	WHITE CABLE FOR LED WITH A CONNECTOR FOR THE PHOTO SENSOR - 250 CM
R5CW-0100	WHITE CABLE FOR LED - 100 CM

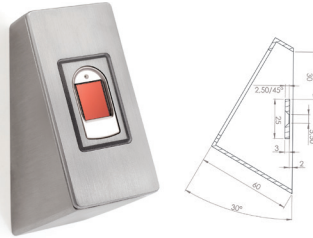
DNP12DIN	12 V/2.0 aA DIN POWER SUPPLY
DNP24DIN	24 V/2.0 A DIN POWER SUPPLY
LCT16RCP	STAINLESS STEEL COVER PLATE - ROUNDED
LCT16SCP	STAINLESS STEEL COVER PLATE - SQUARE
LCT16ALV	MOUNTING MODUL FOR CABLE TRANSFER
R2PIR1 R2PIR2 R2PIR3	STAINLES STEEL/PLEXI GLASS ROSETTE FOR R5BR1 AND R5TP1
R2IN1	STAINLESS STEEL 30° HOLDER FOR BIOREADER AND TOUCHPAD
R5H-BLK	SURCHARGE FOR POWDER COATING - BLACK RAL 9005 MATT
R5H-KPS	ANTI-CORROSION SPRAY FOR HANDLE PROTECTION



CABLE TRANSFER **LCT67**



30° WALL HOLDER **R2IN1**



CABLE TRANSFER CONNECTOR



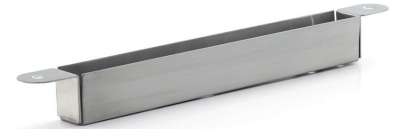
12 V POWER SUPPLY **DNP12DIN**



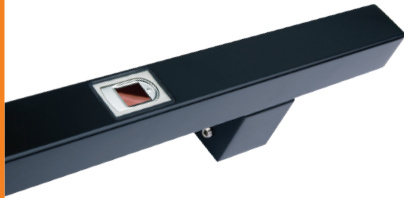
PHOTO SENSOR **R5CW-CFU**



MOUNTING MODULE FOR CABLE TRANSFER  
**LCT16ALV**



POWDER COATED HANDLE  
MATT BLACK RAL 9005 **R5H-BLK**



FRONT PLATES **LCT16RCP** AND **LCT16SCP**



RF MODULE **R5RF-101**  
WITH TWO REMOTE CONTROLS





## INDUSTRY

MANUFACTURING MACHINERY -  
GYM LOCKERS -  
MEDICAL EQUIPMENT -

MANY INTEGRATION  
POSSIBILITIES

## ACCESS CONTROL

- INTERCOM
- SWITCHES
- FRONT DOOR HANDLES





INSTALLATION IN THE DOOR PANEL  
OR NEXT TO THE DOOR





# 19

Navkom d.o.o. | Cesta v Log 19 | 1351 Brezovica | Slovenia  
T: +386 (0)59 941 409 E: [info@navkom.si](mailto:info@navkom.si) W: [www.navkom.si](http://www.navkom.si)