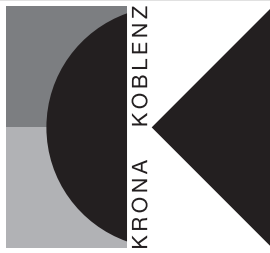


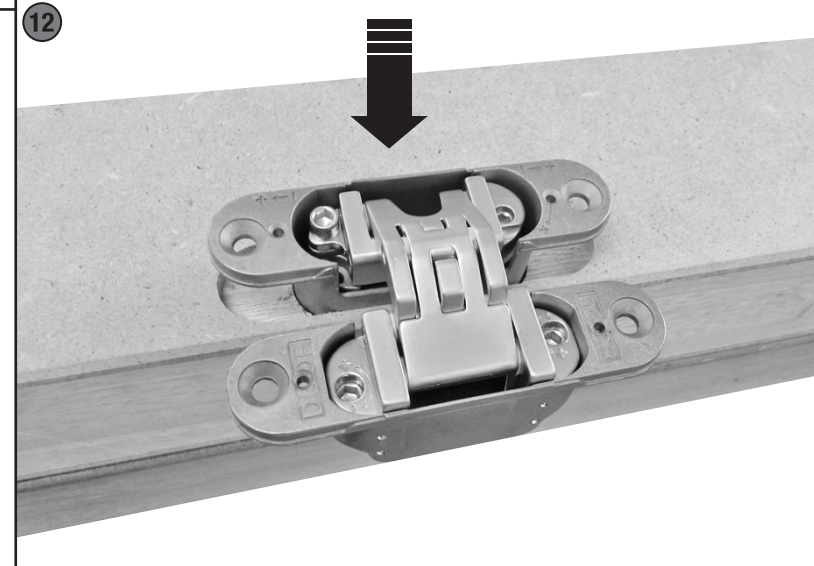
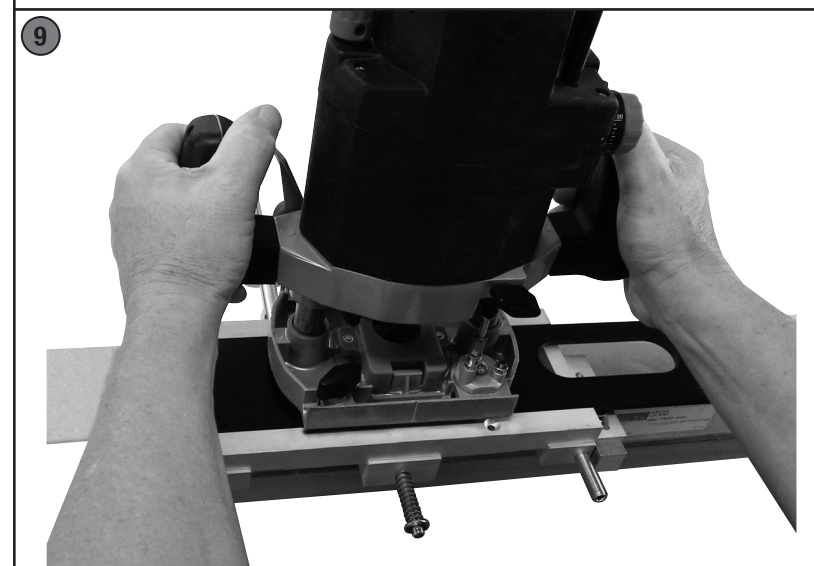
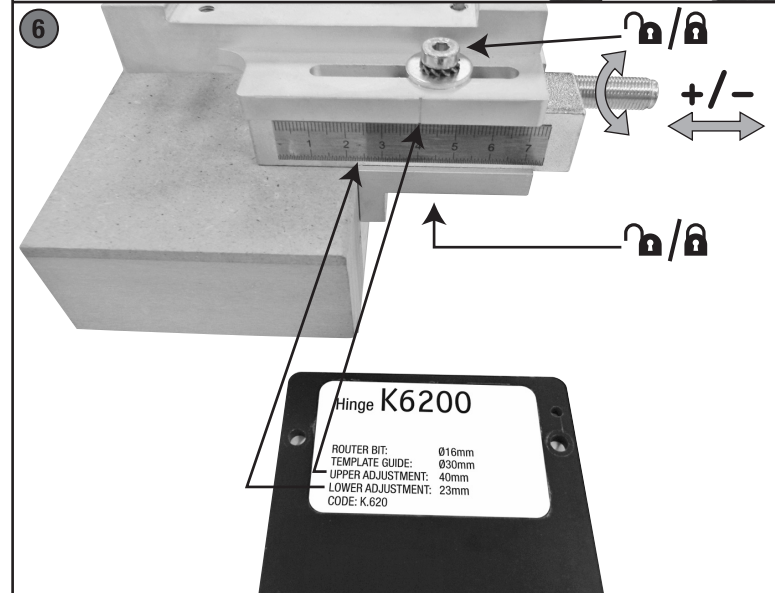
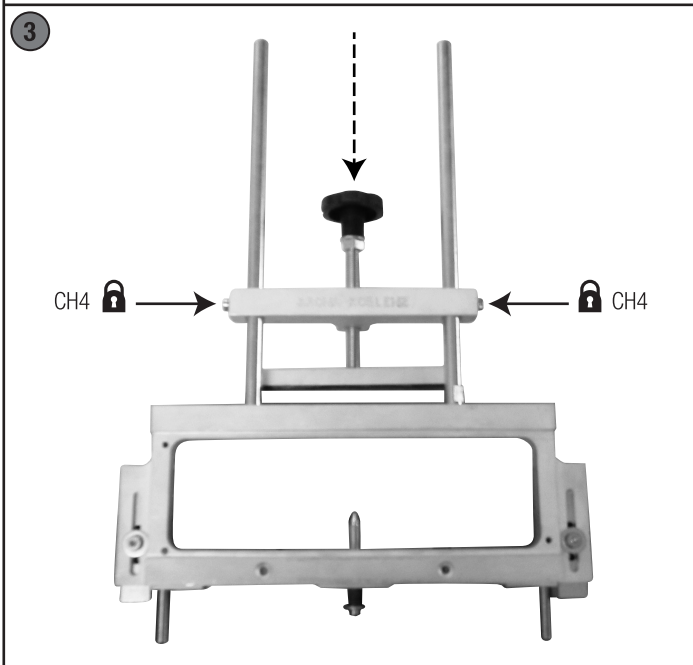
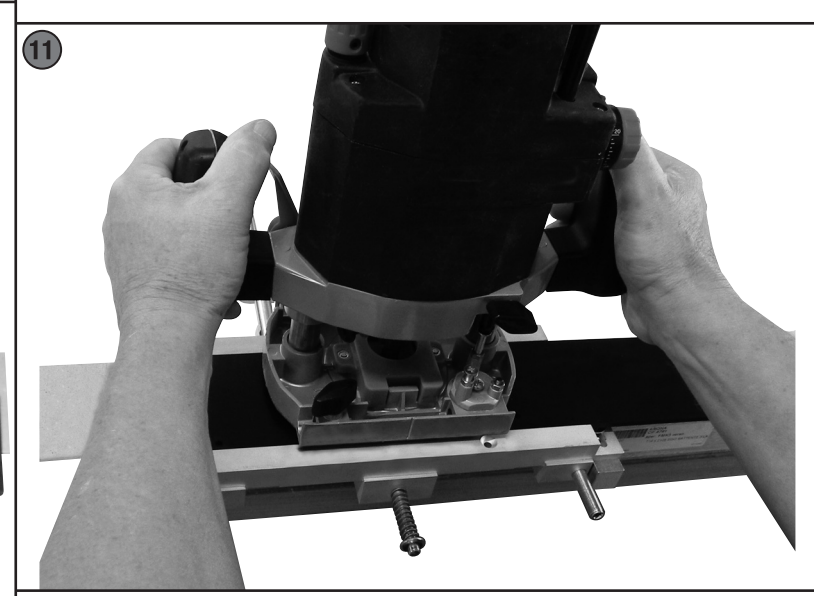
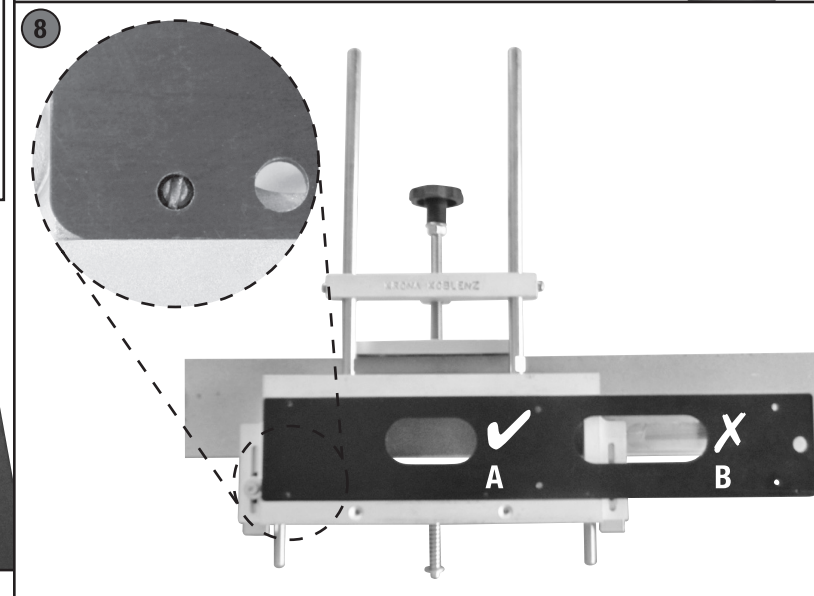
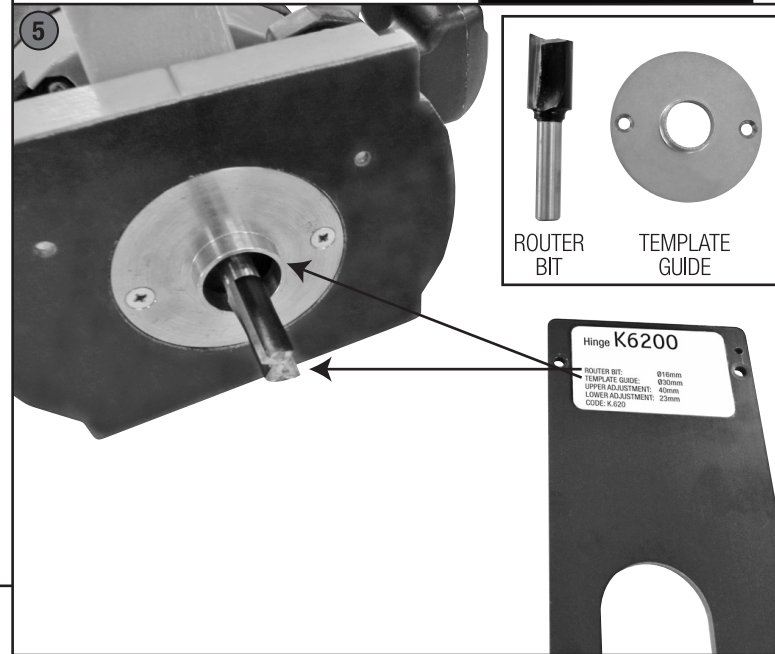
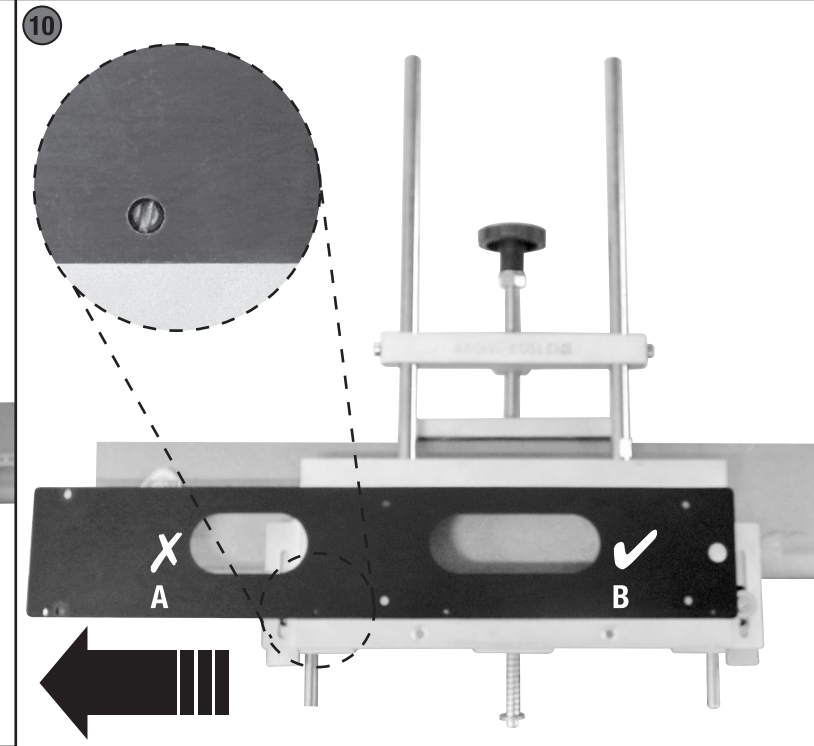
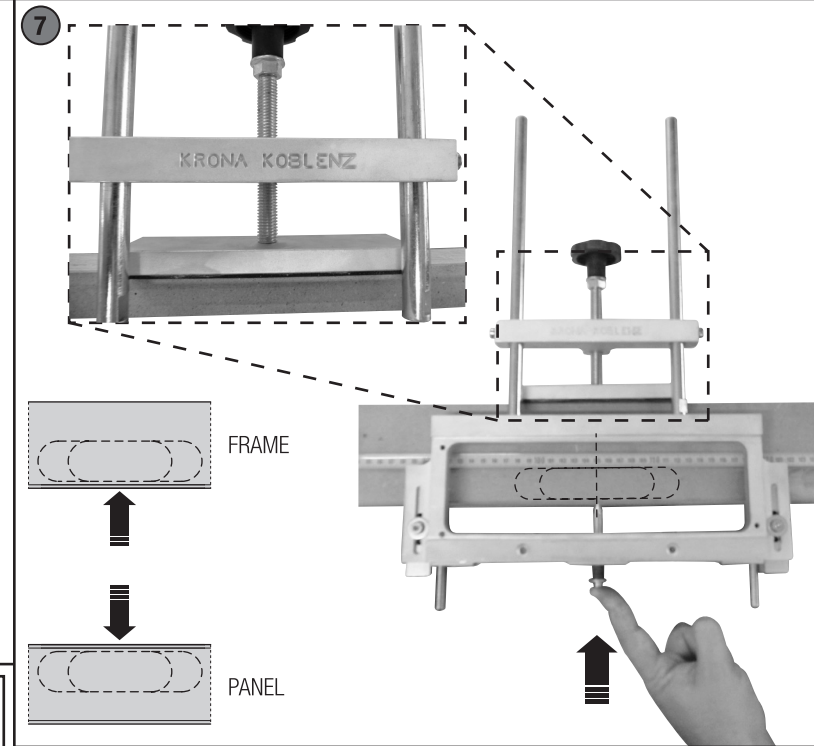
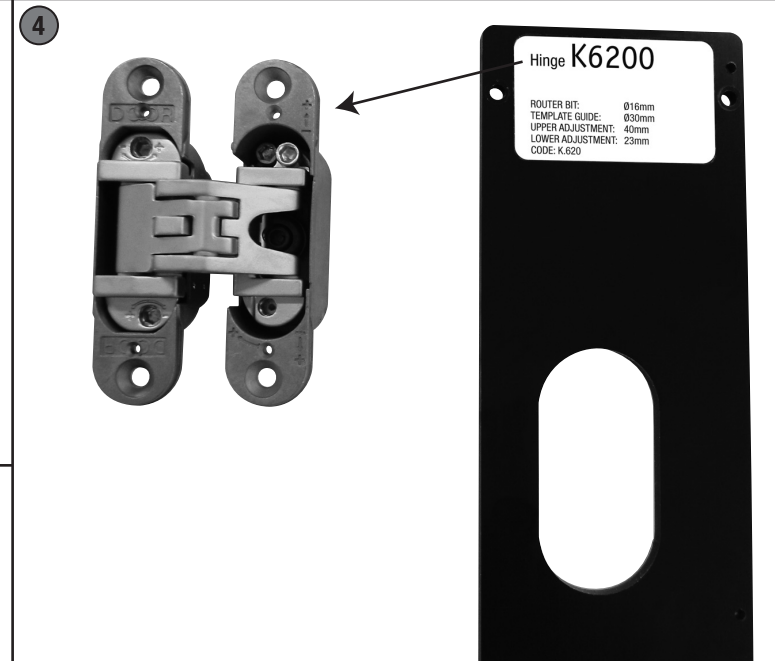
DIMA Universal

K.DIMA

www.k-group.com



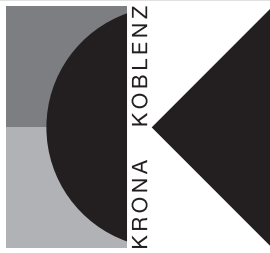
Istruzioni di Montaggio - Instrucciones de montaje - Montageanleitung - Assembling Instructions - Instructions de Montage - Montagehandleiding - Инструкция по монтажу - Instrukcja montażu



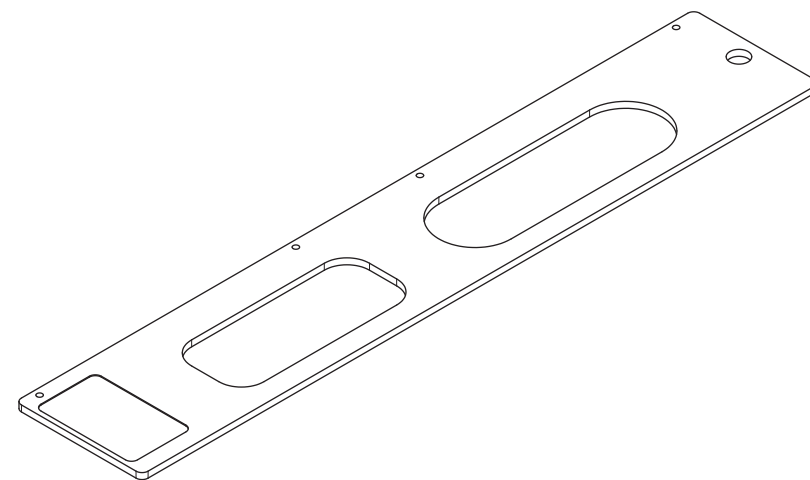
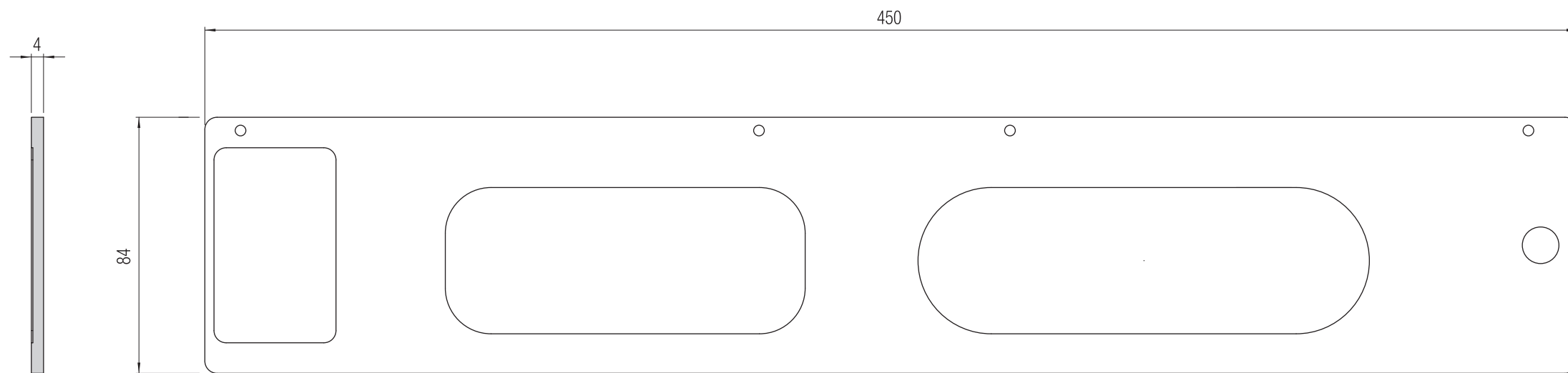
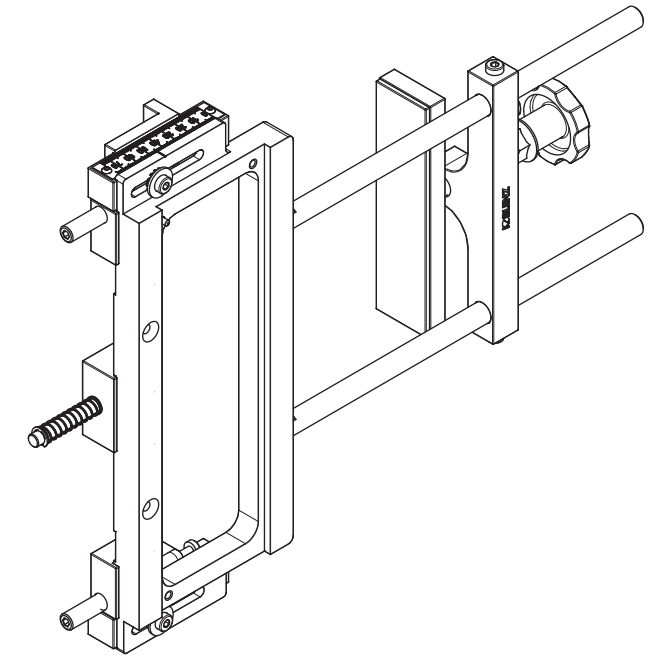
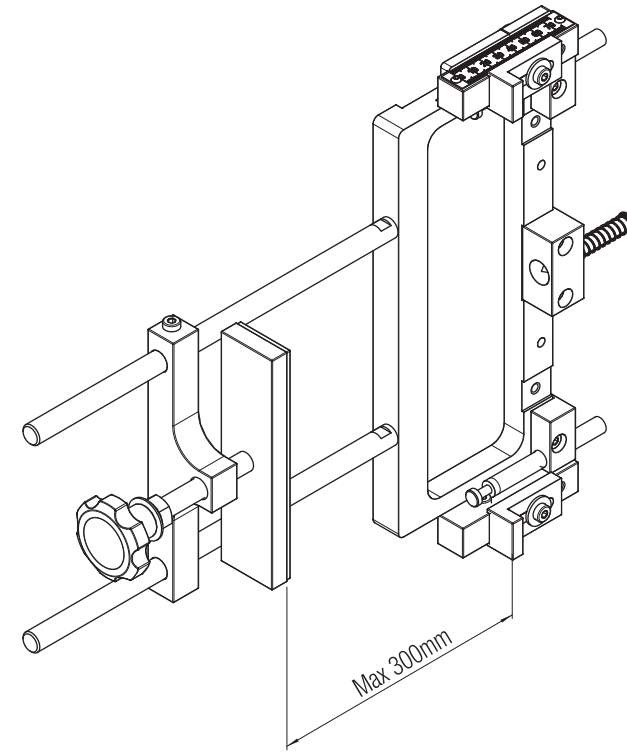
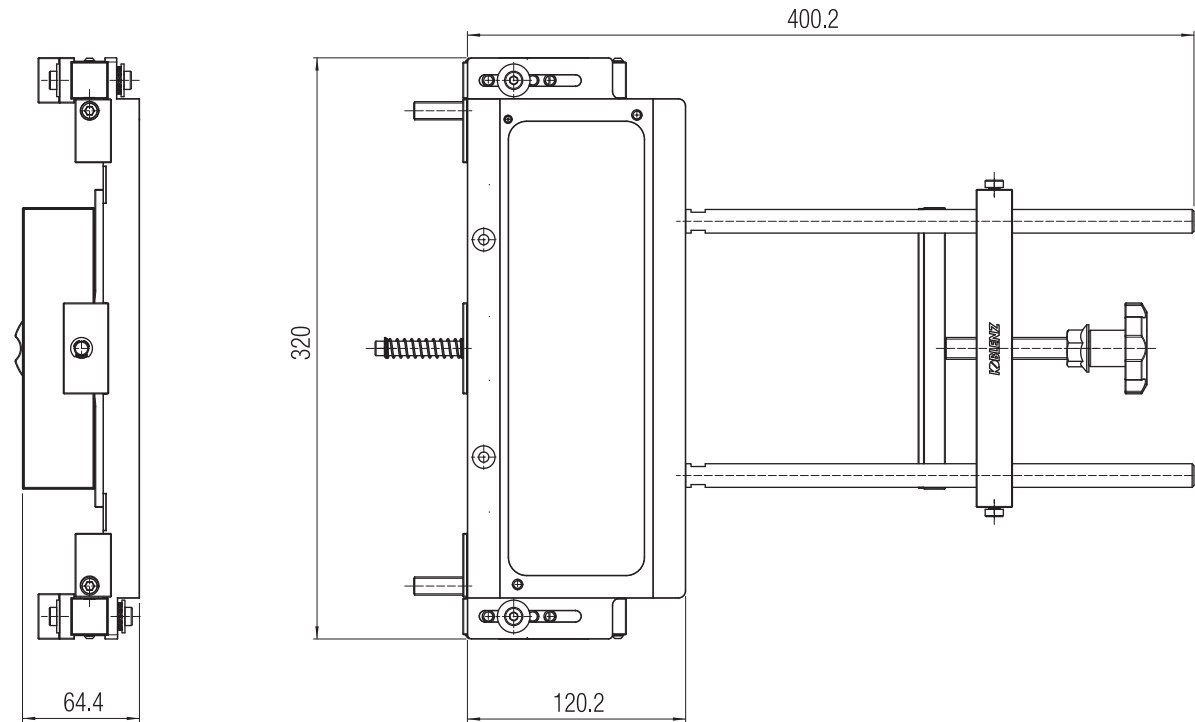
DIMA Universal

K.DIMA

www.k-group.com



Istruzioni di Montaggio - Instrucciones de montaje - Montageanleitung - Assembling Instructions - Instructions de Montage - Montagehandleiding - Инструкция по монтажу - Instrukcja montażu



DIMA UNIVERSAL		Art. K.DIMA	
Model:	Code:		
Atomika K8000	Art. K.800	16 mm	30 mm
Kubica K2400	Art. K.240	16 mm	30 mm
Kubica K5080	Art. K.508	16 mm	30 mm
Kubica K6200	Art. K.620	16 mm	30 mm
Kubica K6700	Art. K.670	16 mm	30 mm
Kubica K6900	Art. K.690	12 mm	30 mm
Kubica K6300	Art. K.630	12 mm	30 mm
Kubica 27	Art. K.270	16 mm	30 mm
Kubica KubiKuadra	Art. K.300	16 mm	30 mm
Kubica KubiCenter	Art. K.640	16 mm	30 mm
KuBi 7 K7000	Art. K.700	16 mm	30 mm
KuBi 7 K7080	Art. K.708	16 mm	30 mm
KuBi 7 K7120	Art. K.712	16 mm	30 mm
KuBi 7 K7200	Art. K.720	16 mm	30 mm
KuBi 7 Kubica Twist	Art. K.708	16 mm	30 mm
Kubikina K6100	Art. K.610	10 mm	30 mm
Frese consigliate	Fresas recomendadas	Empfohlene Fräser	
Suggested milling sets	Fraises conseillées	Aanbevolen frezenet	
Рекомендуемые фрезы			
Ø 16 mm	L = 110 mm	CMT 177.161.11	
Ø 12 mm	L = 100 mm	CMT 177.121.11	
Ø 10 mm	L = 90 mm	CMT 177.100.11	